

Driver: Ben Smith Date: 6/8/23 Event/Track: BRCA National @Torch
 Qualify: 1 Final: 1 Best Lap:

TRACK TYPE

Grip Level High Medium Low
 Type Tight Open Mixed
 Condition Flat Bumpy Mixed
 Surface Clay Long Astro Carpet
 Grass Short Astro Mixed
 Weather

TYRES

	FRONT	REAR
Tyres	Mezzos	Mezzos
Wheels	Kit	Kit
Inserts	Tubby	Tubby

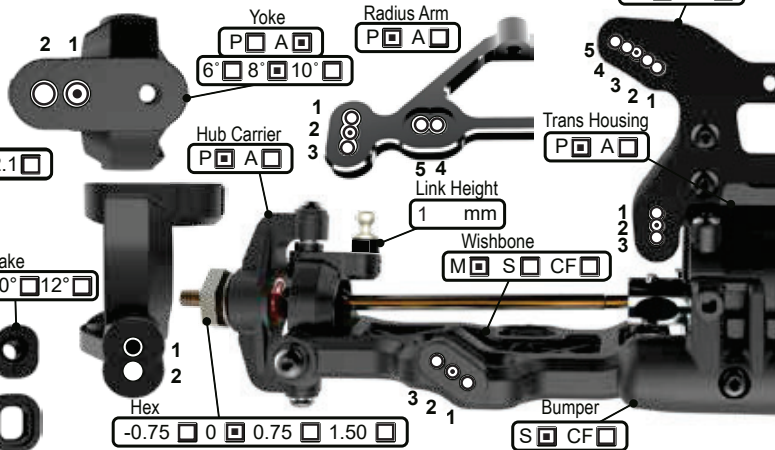
Notes: 2.5 rows cut off outside and 2 rows off inside, glued sidewalls

Notes:

FRONT SUSPENSION

KEY: P = Plastic, A = Alloy, B = Brass, CF = Carbon Fibre, S2 = Schumacher Composite, M = Medium, S = Stiff, Sh = Short, H = High, L = Low, F = Front, R = Rear, Y = Yes, N = No

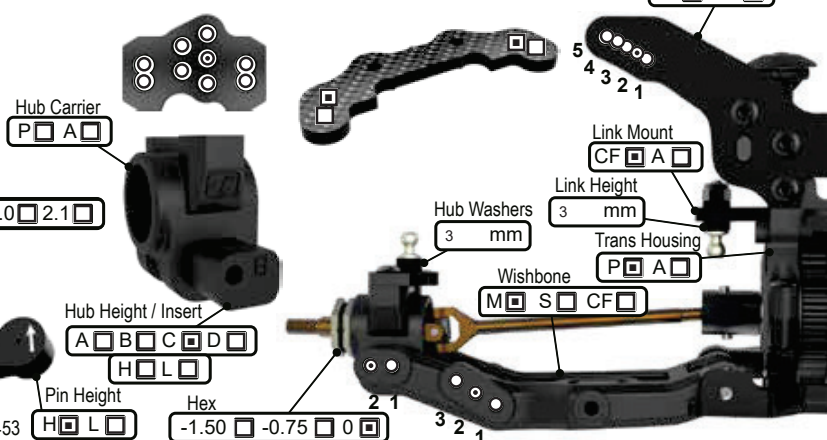
Ride Height 16 mm
 Wheelbase Long Short
 Toe 1 deg In Out
 Camber at Ride Height -1 deg
 Anti Roll Bar None 1.2 1.4 1.6 1.8 1.9 2.0 2.1
 Hub Height H L
 Bump Steer Washers 2 mm
 Hingepin Height H L
 Driveshaft Type Roche U/J
 Steering Arm Kit 1 Dot 2 Dot 3 Dot
 Track Narrow Mid Wide
 Front Strap A B



REAR SUSPENSION

KEY: P = Plastic, A = Alloy, B = Brass, CF = Carbon Fibre, S2 = Schumacher Composite, M = Medium, S = Stiff, Sh = Short, H = High, L = Low, F = Front, R = Rear, Y = Yes, N = No

Ride Height 17 mm
 Wheelbase Sh M L
 Anti-Squat 1° 2° 3° 4°
 Toe 4° 3.5° 3° 2.5° 2° 1.5° 1.0° 0.5°
 Camber at Ride Height -1 deg
 Anti Roll Bar None 1.2 1.4 1.6 1.8 1.9 2.0 2.1
 Wing Gurney Height 4 mm
 Driveshaft Type CVD U/J
 Gearbox Riser Y N
 Hub Height / Insert A B C D
 Pin Height H L
 High Pin Requires U8453



CHASSIS

Chassis A C/F
 LiPo Position R F
 Running Weight 9
 Front Topdeck S2 CF

Motor H/W 5.5t
 Rotor Dia. Kit mm
 Timing 35 deg

WEIGHTS

Radio Tray Y N
 ESC Tray Y N
 Pinion 22 t
 Spur Kit t
 R.O.S Y N
 Lock Out Y N
 Slipper Plates 2 3

EQUIPMENT

E.S.C. H/W G2
 Servo Highest
 RX Sanwa
 LiPo Intellect 4400
 Bodysell Jc S2
 Wing Jc 7"

TRANSMISSION

Diff Height Front H M L Diff Height Rear H M L
 Diff Oil Front 12k cSt Diff Oil Rear 10k cSt
 Diff Gears Front 2 4 Diff Gears Rear 2 4
 Diff Body Front P A CF Diff Body Rear P A CF

SHOCKS

KEY: i = Internal, e = External, V = Vented, S = Sealed, A = Aeration

	FRONT	REAR
Cap	V <input type="checkbox"/> S <input type="checkbox"/> A <input type="checkbox"/>	V <input type="checkbox"/> S <input type="checkbox"/> A <input type="checkbox"/>
Kashima	Y <input type="checkbox"/> N <input type="checkbox"/>	Y <input type="checkbox"/> N <input type="checkbox"/>
Oil	550 cSt	400 cSt
Piston	2 x 1.8	2 x 2.1
Spring	Black lb/in	Green HR lb/in
Limiters (i)	1 mm	1 mm
Stroke	Kit mm	Kit mm
Limiters (e)	0 mm	2 mm
Shock Stand Off	2 mm	

Notes:

