

Driver Details	
Name	Michal Orłowski
Date	September 2021
Event / Track	SOOM round 5 RHR
Weather	20°C
Result	TQ&1st
Chassis and Electrics	
Chassis	Kit <input type="checkbox"/> Flex <input type="checkbox"/>
Car Weight	1655 g
Front Topdeck	S2 2.0mm <input type="checkbox"/> C/F 2.5mm <input type="checkbox"/> C/F 3.0mm <input type="checkbox"/>
Rear Topdeck	2.5mm <input type="checkbox"/> 3.0mm <input type="checkbox"/>
Sidepods	S2 <input type="checkbox"/> C/F <input type="checkbox"/>
Front Hex	-0.75 <input type="checkbox"/> 0 <input type="checkbox"/> 0.75 <input type="checkbox"/> 1.5 <input type="checkbox"/>
Rear Hex	-0.75 <input type="checkbox"/> 0 <input type="checkbox"/> 0.75 <input type="checkbox"/> 1.5 <input type="checkbox"/>
Bodyshell	JC S2 Thickness 0.5 Rear Wing Aerox
E.S.C	LRP FLOW X C/F Tray <input type="checkbox"/> Brass Tray <input type="checkbox"/>
Servo	POWERHD S25
Receiver	SANWA RX-493 C/F Tray <input type="checkbox"/> Brass Tray <input type="checkbox"/>
LiPo	LRP 4000mAh G4 Front <input type="checkbox"/> Middle <input type="checkbox"/> Rear <input type="checkbox"/>

Notes	
U8062 KRC-MAXFWDL1 1 outside row cut off the rear tyres	
Front Diff	
Height	High <input type="checkbox"/> Mid <input type="checkbox"/> Low <input type="checkbox"/>
Oil 10k	cSt 2 Gear <input type="checkbox"/> 4 Gear <input type="checkbox"/>
Kit	Alloy <input type="checkbox"/> Carbon <input type="checkbox"/>
Rear Diff	
Height	High <input type="checkbox"/> Mid <input type="checkbox"/> Low <input type="checkbox"/>
Oil 10k	cSt 2 Gear <input type="checkbox"/> 4 Gear <input type="checkbox"/>
Kit	Alloy <input type="checkbox"/> Carbon <input type="checkbox"/>
Motor and Gearing	
Motor	LRP X22 5.0t
Rotor Diameter	12.5
Timing	19.5
Spur Size	83
Pinion Size	20

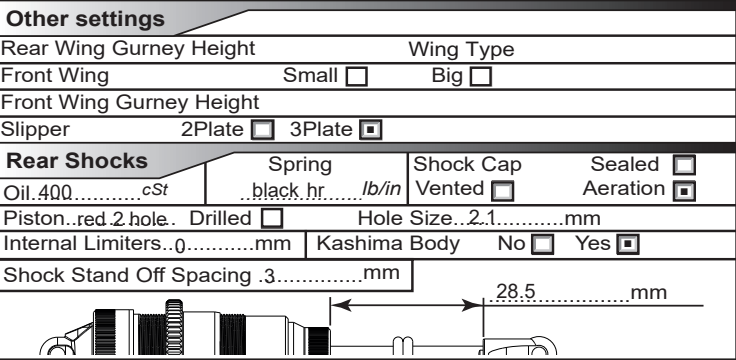
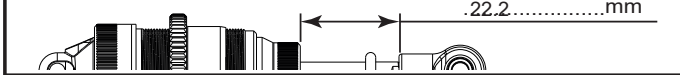


Track Conditions	
Grip Level	High <input type="checkbox"/> Medium <input type="checkbox"/> Low <input type="checkbox"/>
Type	Tight <input type="checkbox"/> Open <input type="checkbox"/> Mixed <input type="checkbox"/>
Surface	Clay <input type="checkbox"/> Astro <input type="checkbox"/> Grass <input type="checkbox"/> Mixed <input type="checkbox"/> Carpet <input type="checkbox"/>
Condition	Smooth <input type="checkbox"/> Bumpy <input type="checkbox"/> Mixed <input type="checkbox"/>
Jumps	Small <input type="checkbox"/> Medium <input type="checkbox"/> Large <input type="checkbox"/> Mixed <input type="checkbox"/>

Other settings	
Rear Wing Gurney Height	Wing Type
Front Wing	Small <input type="checkbox"/> Big <input type="checkbox"/>
Front Wing Gurney Height	
Slipper	2Plate <input type="checkbox"/> 3Plate <input type="checkbox"/>

Wheels, Tyres and Inserts	
Front Wheels	U4496
Rear Wheels	U4366
Front Tyres	U6895
Rear Tyres	U6826
Front Inserts	U6733
Rear Inserts	U6833
Front Shocks	
Oil .550.....cSt	Spring .blue.....lb/in
Shock Cap	Sealed <input type="checkbox"/> Aeration <input type="checkbox"/>
Piston .black.2.hole	Drilled <input type="checkbox"/> Hole Size..1.7.....mm
Internal Limiters..0.....mm	Kashima Body No <input type="checkbox"/> Yes <input type="checkbox"/>

Rear Shocks	
Oil .400.....cSt	Spring .black.hr.....lb/in
Shock Cap	Vented <input type="checkbox"/> Aeration <input type="checkbox"/>
Piston..red.2.hole..	Drilled <input type="checkbox"/> Hole Size..2.1.....mm
Internal Limiters..0.....mm	Kashima Body No <input type="checkbox"/> Yes <input type="checkbox"/>
Shock Stand Off Spacing	.3.....mm



Front	
Anti Roll Bar	None <input type="checkbox"/> 1.2 <input type="checkbox"/> 1.4 <input type="checkbox"/> 1.6 <input type="checkbox"/> 1.8 <input type="checkbox"/> 1.9 <input type="checkbox"/> 2.0 <input type="checkbox"/> 2.1 <input type="checkbox"/>
Ride Height	.15.....mm
Camber at Ride Height	-.1.....Deg
Toe	±.1.....Deg
Yoke	8° <input type="checkbox"/> 10° <input type="checkbox"/> 12° <input type="checkbox"/>
Yoke	Med <input type="checkbox"/> Stiff <input type="checkbox"/> Alloy <input type="checkbox"/>
Bumper	Stiff <input type="checkbox"/> Carbon <input type="checkbox"/>
Link Washers	3.5.....mm
Wishbone	Med <input type="checkbox"/> Stiff <input type="checkbox"/> Carbon <input type="checkbox"/>
Wheelbase	Short <input type="checkbox"/> Long <input type="checkbox"/>
Shock Mount	C/F <input type="checkbox"/> S2 <input type="checkbox"/>
Hingepin	Steel <input type="checkbox"/> Ti <input type="checkbox"/>
Strap	Alloy <input type="checkbox"/> Brass <input type="checkbox"/>
Housing	Kit <input type="checkbox"/> Alloy <input type="checkbox"/>
Hub Spacer	High <input type="checkbox"/> Low <input type="checkbox"/>
Driveshaft	Kit <input type="checkbox"/> Roche <input type="checkbox"/>
Pin Angle	8° <input type="checkbox"/> 10° <input type="checkbox"/> 12° <input type="checkbox"/>
Pin Width	Narrow <input type="checkbox"/> Mid <input type="checkbox"/> Wide <input type="checkbox"/>
Bump Steer Washers	0.....mm

Rear	
Anti Roll Bar	None <input type="checkbox"/> 1.2 <input type="checkbox"/> 1.3 <input type="checkbox"/> 1.4 <input type="checkbox"/> 1.6 <input type="checkbox"/> 1.8 <input type="checkbox"/> 1.9 <input type="checkbox"/> 2.0 <input type="checkbox"/> 2.1 <input type="checkbox"/>
Shock Mount	C/F <input type="checkbox"/> S2 <input type="checkbox"/>
Ride Height	.15.....mm
Camber at Ride Height	-.1.....Deg
Toe In	4° <input type="checkbox"/> 3.5° <input type="checkbox"/> 3° <input type="checkbox"/> 2.5° <input type="checkbox"/> 2° <input type="checkbox"/> 1.5° <input type="checkbox"/> 1° <input type="checkbox"/> 0.5° <input type="checkbox"/>
Wheelbase	Short <input type="checkbox"/> Med <input type="checkbox"/> Long <input type="checkbox"/>
Anti-squat	1° <input type="checkbox"/> 2° <input type="checkbox"/> 3° <input type="checkbox"/> 4° <input type="checkbox"/>
Hub Washers	.3.....mm
Driveshaft	U/J <input type="checkbox"/> CVD <input type="checkbox"/>
Hub Carrier	Kit <input type="checkbox"/> Alloy <input type="checkbox"/>
Brass insert	Hi-Pin <input type="checkbox"/> Low-Pin <input type="checkbox"/>
Link Washers	.0.....mm
Housing	Kit <input type="checkbox"/> Alloy <input type="checkbox"/>
Steel Washer Required	<input type="checkbox"/>
Rear Strap	High Pin - Arrows up (U7977) <input type="checkbox"/> Low Pin - Arrows down (Kit) <input type="checkbox"/>

Gearbox Riser	Yes <input type="checkbox"/> No <input type="checkbox"/>
Wishbone	Med <input type="checkbox"/> Stiff <input type="checkbox"/> Carbon <input type="checkbox"/>
Hingepin	Steel <input type="checkbox"/> Ti <input type="checkbox"/>
Link Mount	Kit <input type="checkbox"/> Alloy <input type="checkbox"/>