

Driver & Event	
Name	Peter Pinisch
Date	17.04.2016
Event	1.Rd Austrian Nats
Weather	
Result	2


Electrics & Chassis	
E.S.C	Reedy Black Box
Servo	Reedy
Receiver	Sanwa
Batteries	Reedy Shorty 5300
Shorty Position	Front <input type="checkbox"/> Back <input checked="" type="checkbox"/>
Transverse Shorty	Yes <input checked="" type="checkbox"/> No <input type="checkbox"/>
Chassis Stiffeners	Yes <input type="checkbox"/> No <input checked="" type="checkbox"/>
Chassis	Alloy <input type="checkbox"/> Carbon <input checked="" type="checkbox"/>


Motor & Gearing	
Motor	6,5
Rotor Diameter	
Timing	
Spur	Std
Pinion	20

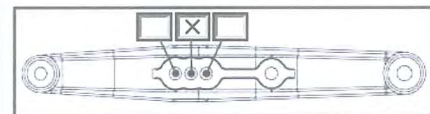
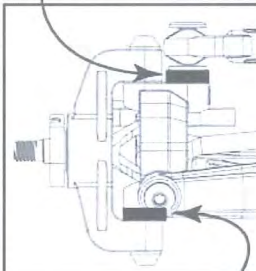
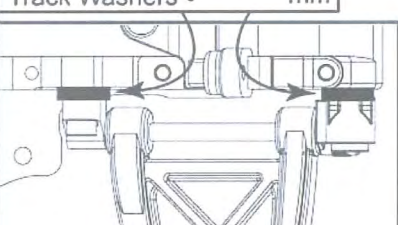
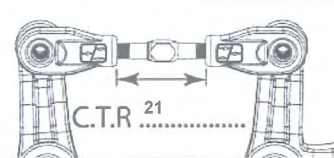
Track Conditions	
Grip Level	High <input type="checkbox"/> Med <input type="checkbox"/> Low <input checked="" type="checkbox"/>
Type	Tight <input type="checkbox"/> Open <input checked="" type="checkbox"/> Mixed <input type="checkbox"/>
Surface	Clay <input checked="" type="checkbox"/> Astro <input type="checkbox"/> Grass <input type="checkbox"/> Mixed <input type="checkbox"/> Carpet <input type="checkbox"/>
Condition	Smooth <input checked="" type="checkbox"/> Bumpy <input type="checkbox"/>

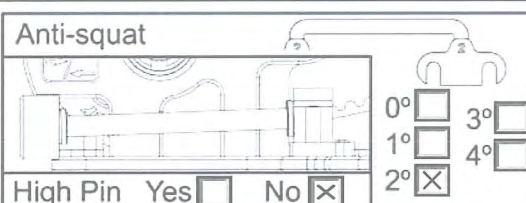
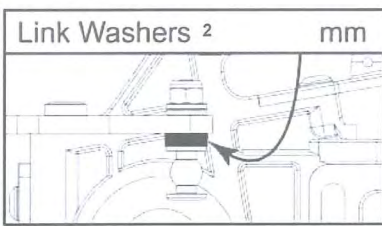
Wheels & Tyres	
Rr Tyre	PL Bow Tie M3
Rr Wheel	Schumacher
Rr Insert	Std
Fr Tyre	PL Crime Fighter M3
Fr Wheel	Schumacher
Fr Insert	Std

Notes	
Car weight	g
Wing Gurney Height	mm
Alu 7,5° Front Caster Blocks Std. Front Arms	

Front Shocks	
Oil	350 Red
Spring	
Shock Cap	Sealed <input type="checkbox"/> Vented <input checked="" type="checkbox"/>
Emulsion	<input type="checkbox"/>
Piston	3 Hole Drilled <input type="checkbox"/> Hole Size 1.5 mm
 Shock Length 2 turns uns.mm	

Rear Shocks	
Oil	300 Red
Spring	
Shock Cap	Sealed <input type="checkbox"/> Vented <input checked="" type="checkbox"/>
Emulsion	<input type="checkbox"/>
Piston	3 Hole Drilled <input checked="" type="checkbox"/> Hole Size 1.6 mm
 Shock Length 2 turns uns.mm	

Front Suspension		Camber at Ride Height 1° Deg		Toe-In 0° Deg	
Anti roll bar	No <input checked="" type="checkbox"/> 1.4 <input type="checkbox"/> 1.6 <input type="checkbox"/> 1.8 <input type="checkbox"/> 2.0 <input type="checkbox"/>	Ride Height 21 mm		Washers 4 mm	
		Link Washers 3 mm			
Track Washers 0 mm		C.T.R. 21		Front Yoke 7.50 <input checked="" type="checkbox"/> (10.0) <input type="checkbox"/>	
				Hub Spacer Above <input checked="" type="checkbox"/> Below <input type="checkbox"/>	

Rear Suspension		Wheelbase	
Anti-squat		Short <input checked="" type="checkbox"/> Med <input type="checkbox"/> Long <input type="checkbox"/>	
High Pin	Yes <input type="checkbox"/> No <input checked="" type="checkbox"/>	Anti roll bar	No <input type="checkbox"/> 1.0 <input checked="" type="checkbox"/> 1.2 <input type="checkbox"/> 1.4 <input type="checkbox"/> 1.6 <input type="checkbox"/> 1.8 <input type="checkbox"/>
Link Washers 2 mm		Link Washers	mm
Rear Hub Carrier	Alloy <input type="checkbox"/> Std <input checked="" type="checkbox"/>	Alloy	Yes <input type="checkbox"/> No <input checked="" type="checkbox"/>
Alloy Hub Carrier	+1° <input type="checkbox"/> -1° <input type="checkbox"/>		33.5 <input type="checkbox"/> 42.5 <input type="checkbox"/>
Rear Wishbones	Kit <input checked="" type="checkbox"/> Reversed <input type="checkbox"/>		
Med Flex	<input type="checkbox"/>		
Rear Ride Height 20 mm	<input type="checkbox"/> <input checked="" type="checkbox"/> <input type="checkbox"/>		
Rear Camber at Ride Height 1 Deg	<input type="checkbox"/> <input checked="" type="checkbox"/> <input type="checkbox"/>		
Rear Toe In (Flats IN 2.5°) <input type="checkbox"/> (Flats OUT 3.0°) <input checked="" type="checkbox"/>			
			