



Driver and Event	
Name	
Date	
Event	
Weather	
Result	

Track Conditions	
Surface	
Grip Level	
Track Condition	


Wheels and Tyres	
Rear Wheels	
Rear Tyre	
Rear Insert	
Front Wheels	
Front Tyre	
Front Insert	


Additional Settings	
Car Weight	
Weights Added	
Chassis Alloy <input type="checkbox"/>	Option <input type="checkbox"/>

Electrics and Gearing	
E.S.C	
Servo	
Receiver	
Batteries	
Motor	
Spur Gear	
Pinion	
LH Cell Position	
Forward <input type="checkbox"/>	Backward <input type="checkbox"/>

Diff Type	
Diff Oil	
Front Ball <input type="checkbox"/>	Gear <input type="checkbox"/>
Rear Ball <input type="checkbox"/>	Gear <input type="checkbox"/>

NOTES

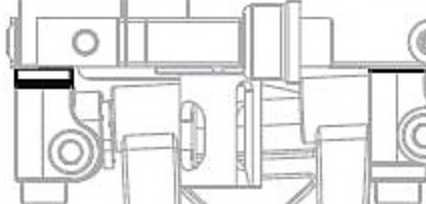
Rear Shocks	
Shock Cap Sealed <input type="checkbox"/>	
Oil <input type="checkbox"/>	Spring <input type="checkbox"/>
Vented <input type="checkbox"/>	Emulsion <input type="checkbox"/>
Piston	
Drilled <input type="checkbox"/>	Hole Size mm
	
Shock Length mm	

Front Shocks	
Shock Cap Sealed <input type="checkbox"/>	
Oil <input type="checkbox"/>	Spring <input type="checkbox"/>
Vented <input type="checkbox"/>	Emulsion <input type="checkbox"/>
Piston	
Drilled <input type="checkbox"/>	Hole Size mm
	
Shock Length mm	

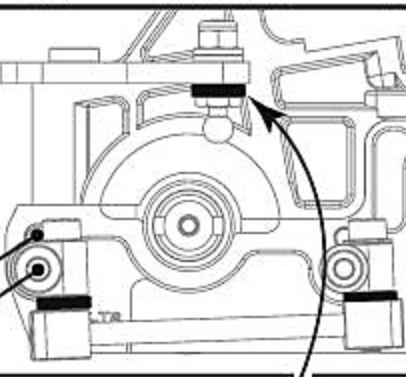
Rear Suspension	
Anti roll bar No <input type="checkbox"/>	1.00 <input type="checkbox"/>
	1.20 <input type="checkbox"/>
	1.40 <input type="checkbox"/>
	1.60 <input type="checkbox"/>
Wheelbase Short <input type="checkbox"/>	Med <input type="checkbox"/>
	Long <input type="checkbox"/>

Camber at Ride Height Deg	
Ride Height mm	

Anti-squat Washers	
0.00 Difference = 0.00° Toe-in <input type="checkbox"/>	
0.50 Difference = 0.60° Toe-in <input type="checkbox"/>	
1.00 Difference = 1.30° Toe-in <input type="checkbox"/>	
1.50 Difference = 1.95° Toe-in <input type="checkbox"/>	
2.00 Difference = 2.60° Toe-in <input type="checkbox"/>	
2.50 Difference = 3.25° Toe-in <input type="checkbox"/>	
3.00 Difference = 3.90° Toe-in <input type="checkbox"/>	

Rear Toe-in & Track Washers	
0.00 Difference = 0.00° Toe-in <input type="checkbox"/>	
0.50 Difference = 0.60° Toe-in <input type="checkbox"/>	
1.00 Difference = 1.30° Toe-in <input type="checkbox"/>	
1.50 Difference = 1.95° Toe-in <input type="checkbox"/>	
2.00 Difference = 2.60° Toe-in <input type="checkbox"/>	
2.50 Difference = 3.25° Toe-in <input type="checkbox"/>	
3.00 Difference = 3.90° Toe-in <input type="checkbox"/>	
Rear mm	Front mm
	
Blocks Moulded <input type="checkbox"/>	Alloy <input type="checkbox"/>

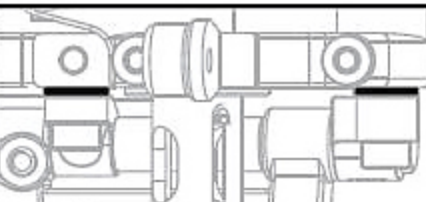
33.5 (1 Dink) <input type="checkbox"/>	
38.0 (2 Dink) <input type="checkbox"/>	
42.5 (3 Dink) <input type="checkbox"/>	
Pin High R <input type="checkbox"/>	F <input type="checkbox"/>
Pin Low R <input type="checkbox"/>	F <input type="checkbox"/>
Rear Hub Carrier Alloy <input type="checkbox"/>	Std <input type="checkbox"/>
Alloy Hub Carrier +1° <input type="checkbox"/>	-1° <input type="checkbox"/>

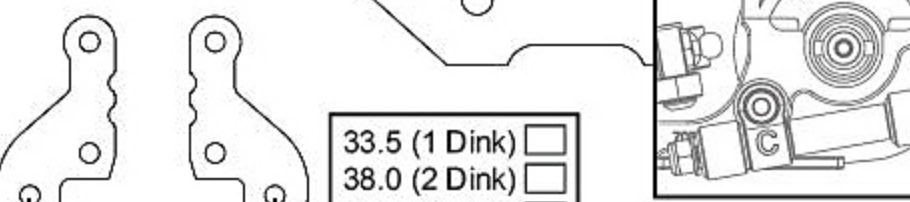
Rear mm	Front mm
	
Link Washers mm	

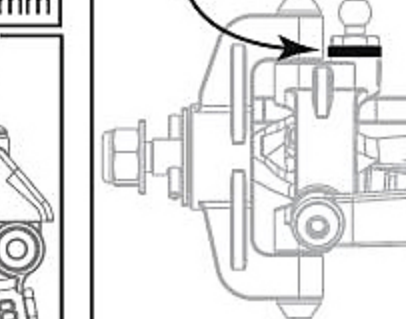
Front Suspension	
Anti roll bar No <input type="checkbox"/>	1.00 <input type="checkbox"/>
	1.20 <input type="checkbox"/>
	1.40 <input type="checkbox"/>
	1.60 <input type="checkbox"/>

Camber at Ride Height Deg	
Ride Height mm	

Toe-In Deg	
Washers mm	

Track Washers mm	
	
Blocks Moulded <input type="checkbox"/>	Alloy <input type="checkbox"/>

33.5 (1 Dink) <input type="checkbox"/>	
38.0 (2 Dink) <input type="checkbox"/>	
42.5 (3 Dink) <input type="checkbox"/>	
	
Link Washers mm	
Front Rake 10.0 Deg <input type="checkbox"/>	
7.5 Deg <input type="checkbox"/>	

	
Front Yoke (Kit)	
12.5 <input type="checkbox"/>	10.0 <input type="checkbox"/>
7.5 <input type="checkbox"/>	