

Driver: Adam Skelding

Date: 12/04/2026

Event/Track: Phil Booth GP

Qualify: 8

Final: 5

Best Lap:

TRACK TYPE

Grip Level High Medium Low

Type Tight Open Mixed

Condition Flat Bumpy Mixed

Surface Clay Long Astro Carpet
 Grass Short Astro Mixed

Weather

TYRES

	FRONT	REAR
Tyres	Schumacher Honeycomb <input checked="" type="checkbox"/>	Schumacher Honeycomb <input checked="" type="checkbox"/>
Wheels	Kit	Kit
Inserts	Cragg (3/4)	Cragg

Notes:
Glued sidewalls (Full height)

Notes:
5deg Boost
20 Deg Turbo @ 0.2
D/R: 90%

FRONT SUSPENSION

KEY: P = Plastic, A = Alloy, CF = Carbon Fibre, S2 = Schumacher Composite, Sh = Short, H = High, L = Low, F = Front, R = Rear, Y = Yes, N = No

Ride Height mm

Toe deg In Out

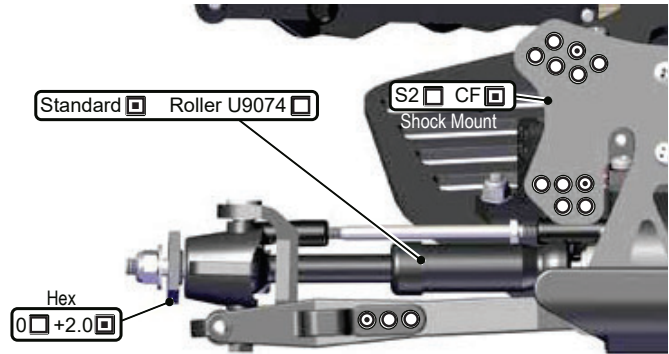
Camber at Ride Height deg

Rake (C/F) 10° 15° 20°

Castor +5 0 -5

Bump Steer Washers mm

Servo Saver Lockout Y



REAR SUSPENSION

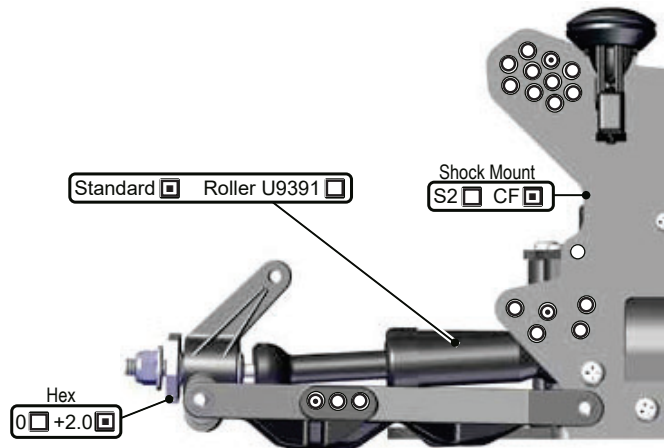
KEY: P = Plastic, A = Alloy, CF = Carbon Fibre, S2 = Schumacher Composite, Sh = Short, H = High, L = Low, F = Front, R = Rear, Y = Yes, N = No

Ride Height mm

Camber at Ride Height deg

ARB 1.2 1.4 1.6

Anti Squat 0° 3° (Alloy U9133)



LH RH	Height	Actual	
2° 2	Low	5°	<input type="checkbox"/>
1° 1	Low	4°	<input type="checkbox"/>
0° 0	Low	3°	<input type="checkbox"/>
0° 0	Low	3°	<input type="checkbox"/>
1° 1	Low	2°	<input type="checkbox"/>
2° 2	Low	1°	<input type="checkbox"/>
2° 2	High	5°	<input type="checkbox"/>
1° 1	High	4°	<input type="checkbox"/>
0° 0	High	3°	<input type="checkbox"/>
0° 0	High	3°	<input type="checkbox"/>
1° 1	High	2°	<input type="checkbox"/>
2° 2	High	1°	<input type="checkbox"/>

Rear Toe-in Insert

EQUIPMENT

E.S.C. Hobbywing 3.0

Servo SRT D1

RX SMD

LiPo ABM 4600

Motor 30

Timing 30 deg

Pinion 22 T

Spur 89 T

Pro Slipper Y N

CHASSIS

LiPo Position 1 2 3

Wing Mount U3850

Alloy Bulkheads U9111 U9139 U9162

Running Weight g

Chassis S2 C/F

WEIGHTS

Notes:
U9144 Rear Motor Mount

SHOCKS

KEY: i = Internal, e = External, V = Vented, S = Sealed, A = Aeration

	FRONT	REAR
Cap	<input type="checkbox"/> V <input type="checkbox"/> S <input type="checkbox"/> A	<input type="checkbox"/> V <input type="checkbox"/> S <input type="checkbox"/> A
Oil	45 wt cSt	32.5 wt cSt
Valves	2	3
Spring	Black lb/in	Blue lb/in
Limiters (i)	1 mm	1 mm
Stroke	30 mm	30 mm
Limiters (e)	0 mm	0 mm
Sockets	<input type="checkbox"/> Short <input type="checkbox"/> Long	<input type="checkbox"/> Short <input type="checkbox"/> Long