

SB401

Name / 姓名 _____

Date / 日期 _____

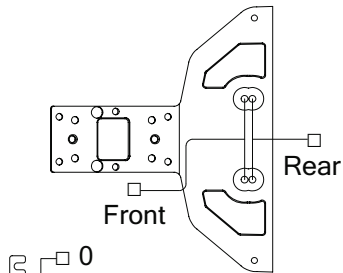
Truck / City / 跑道 / 城市 _____

Event / 活動 _____

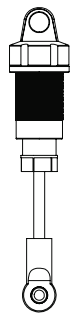
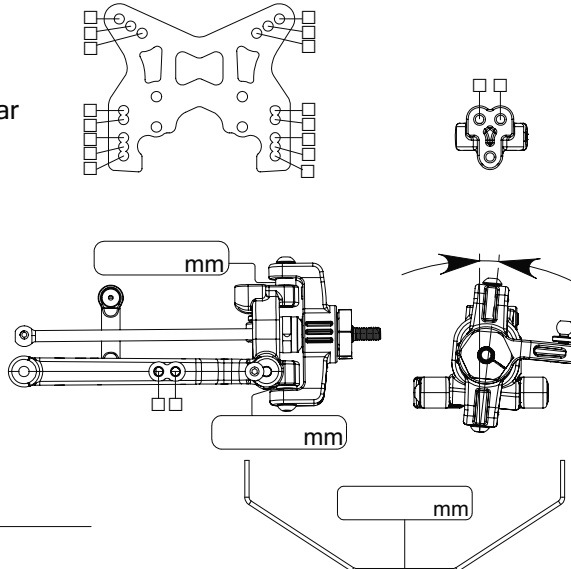
Arm0

Front Suspension

Camber _____ ° Toe _____ °
Caster _____ ° Ride Height _____

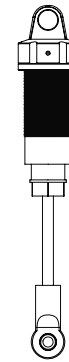
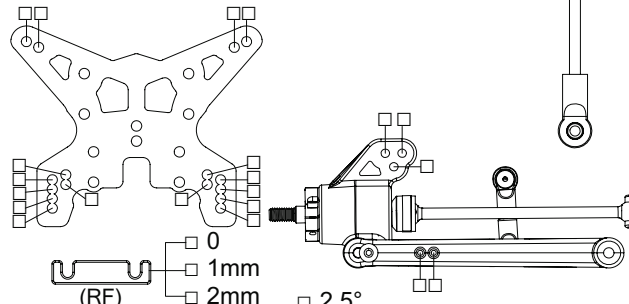
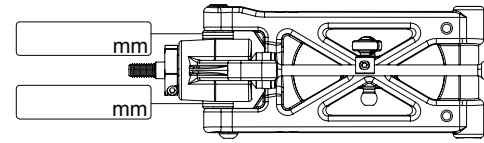


0
1mm
2mm
(FF)



Shock Oil # _____
避震油 # _____
Shock Piston # _____
避震活塞 # _____
Spring # _____
彈簧 # _____
Preload _____ mm
向下高度 _____ mm
Limiters _____ mm
Inside _____ mm
Outside _____ mm

Rear Suspension

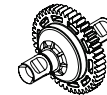


Shock Oil # _____
避震油 # _____
Shock Piston # _____
避震活塞 # _____
Spring # _____
彈簧 # _____
Preload _____ mm
向下高度 _____ mm
Limiters _____ mm
Inside _____ mm
Outside _____ mm
Location Front Rear

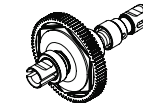
Camber _____ °
Ride Height _____

Comments _____

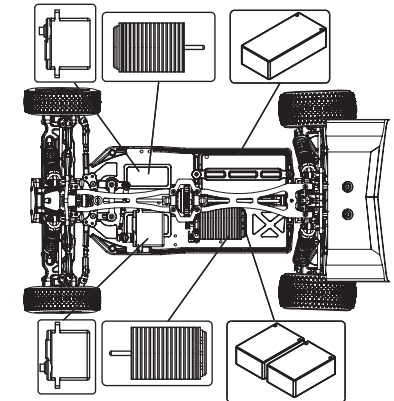
Diff	Front	Center	Rear
Oil			



Gear Diff
齒輪差速



Slipper
扭膠



Tires & Wheels

Front

Tire 輪胎 _____
Wheel 輪框 _____
Insets 內海綿 _____
Notes _____

Rear

Tire 輪胎 _____
Wheel 輪框 _____
Insets 內海綿 _____
Notes _____

Weather

Temperature / 溫度 _____

Humidity / 溼度 _____

Track Conditions

Size: Open 開放 Med 中 Tight 小

Traction: High 高 Med 中 Low 低

Surface: Smooth 滑 Med 中 Bumpy 顛坡

Composition: AstroTurf Carpet

Clay Dirt Grass Wood

Other: _____

Others

ESC _____

Motor 馬達 _____

Battery 電池 _____

Pinion/Spur 馬達齒/齒輪 _____

Wing _____