

# SB401

Name / 姓名 \_\_\_\_\_

Date / 日期 \_\_\_\_\_

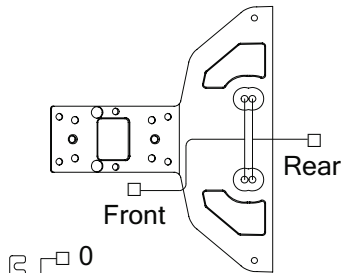
Truck / City / 跑道 / 城市 \_\_\_\_\_

Event / 活動 \_\_\_\_\_

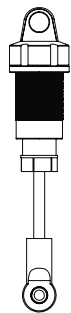
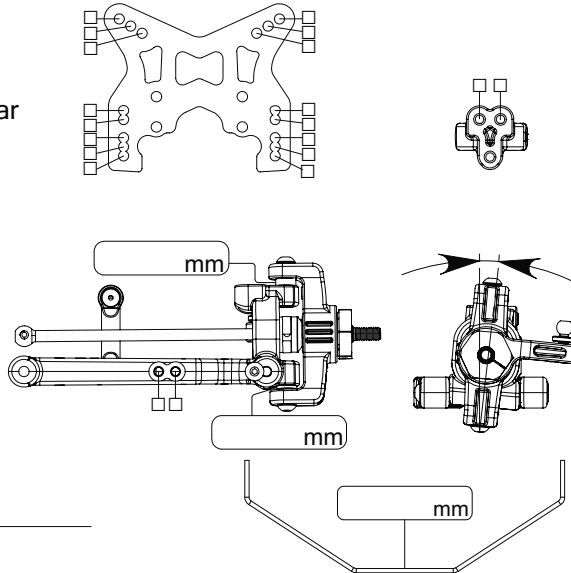
Arm0

## Front Suspension

Camber \_\_\_\_\_ ° Toe \_\_\_\_\_ °  
Caster \_\_\_\_\_ ° Ride Height \_\_\_\_\_

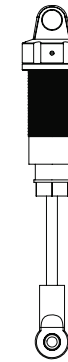
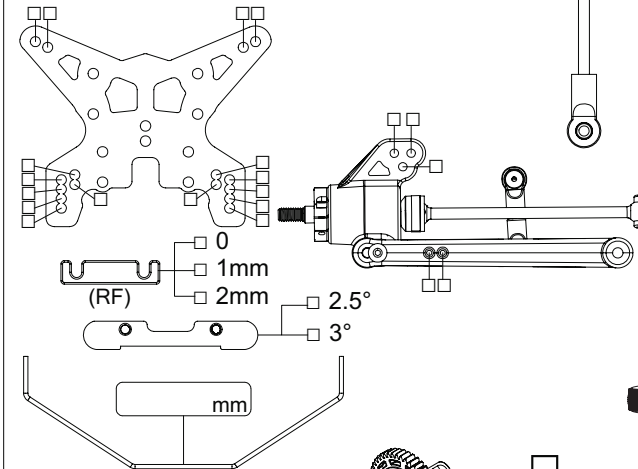
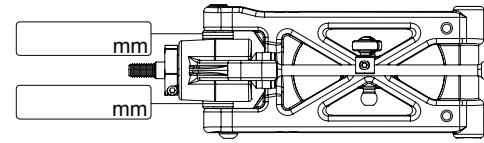


0  
1mm  
2mm  
(FF)



Shock Oil # \_\_\_\_\_  
避震油 # \_\_\_\_\_  
Shock Piston # \_\_\_\_\_  
避震活塞 # \_\_\_\_\_  
Spring # \_\_\_\_\_  
彈簧 # \_\_\_\_\_  
Preload mm \_\_\_\_\_  
向下高度 mm \_\_\_\_\_  
Limiters # \_\_\_\_\_  
Inside mm \_\_\_\_\_  
Outside mm \_\_\_\_\_

## Rear Suspension

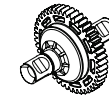


Shock Oil # \_\_\_\_\_  
避震油 # \_\_\_\_\_  
Shock Piston # \_\_\_\_\_  
避震活塞 # \_\_\_\_\_  
Spring # \_\_\_\_\_  
彈簧 # \_\_\_\_\_  
Preload mm \_\_\_\_\_  
向下高度 mm \_\_\_\_\_  
Limiters # \_\_\_\_\_  
Inside mm \_\_\_\_\_  
Outside mm \_\_\_\_\_  
Location Front  Rear

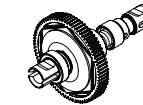
Camber \_\_\_\_\_ °  
Ride Height \_\_\_\_\_

Comments \_\_\_\_\_

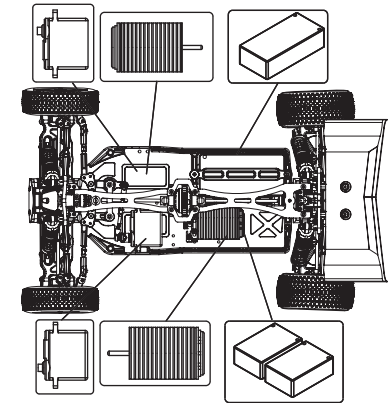
Diff	Front	Center	Rear
Oil			



Gear Diff  
齒輪差速



Slipper  
扭陀



## Tires & Wheels

### Front

Tire 輪胎 \_\_\_\_\_  
Wheel 輪框 \_\_\_\_\_  
Insets 內海綿 \_\_\_\_\_  
Notes \_\_\_\_\_

### Rear

Tire 輪胎 \_\_\_\_\_  
Wheel 輪框 \_\_\_\_\_  
Insets 內海綿 \_\_\_\_\_  
Notes \_\_\_\_\_

## Weather

Temperature / 溫度 \_\_\_\_\_

Humidity / 溼度 \_\_\_\_\_

## Track Conditions

Size:  Open 開放  Med 中  Tight 小

Traction:  High 高  Med 中  Low 低

Surface:  Smooth 滑  Med 中  Bumpy 顛坡

Composition:  Astroturf  Carpet

Clay  Dirt  Grass  Wood

Other: \_\_\_\_\_

## Others

ESC \_\_\_\_\_

Motor 馬達 \_\_\_\_\_

Battery 電池 \_\_\_\_\_

Pinion/Spur 馬達齒/齒輪 \_\_\_\_\_

Wing \_\_\_\_\_