

SETUP SHEET

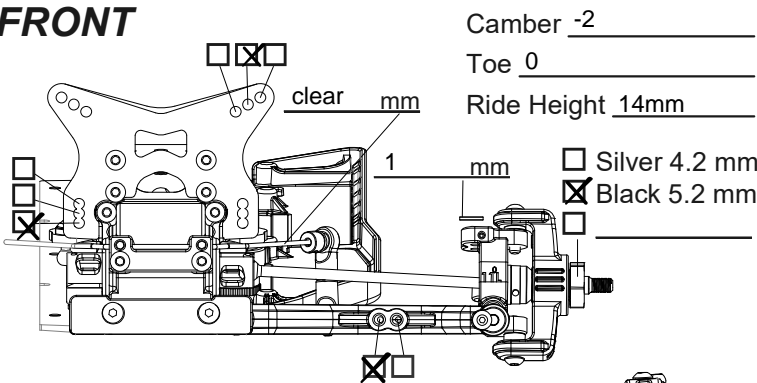
DRIVER Joey Fisher

DATE 1/3/4/2020

CIRCUIT Beachline Raceway

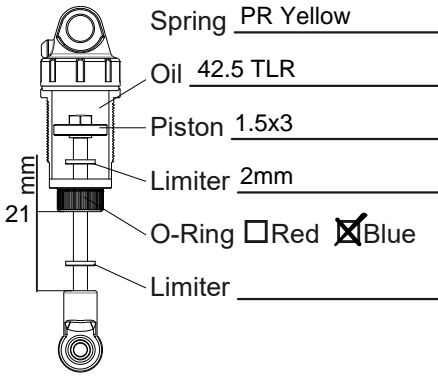
- Indoor Outdoor Dry Wet
- Smooth Bumpy Blue Groove Dusty Hard Packed
- Astroturf Carpet Dirt Grass Wood _____
- Low Traction Medium Traction High Traction

FRONT



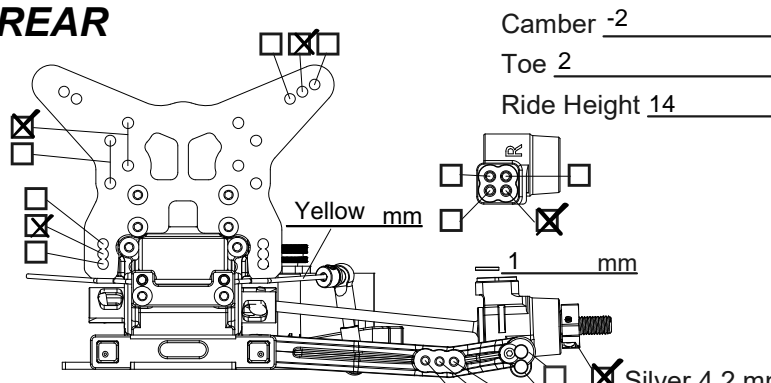
Camber -2
 Toe 0
 Ride Height 14mm

- Silver 4.2 mm
- Black 5.2 mm
- _____



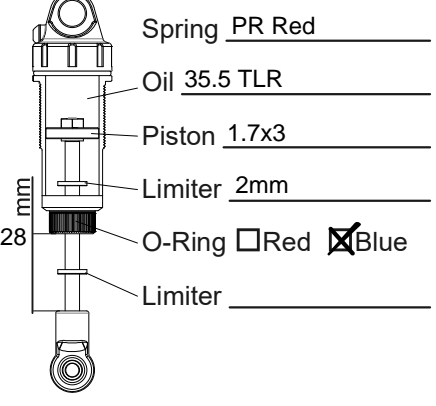
Thick Top Hat on top.

REAR



Camber -2
 Toe 2
 Ride Height 14

- Silver 4.2 mm
- Black 5.2 mm
- _____



Electronics

Motor Trinity Xfactor 13.5
 Spur / Pinion AE 78/26
 Battery Protek 4600
 ESC Maclan

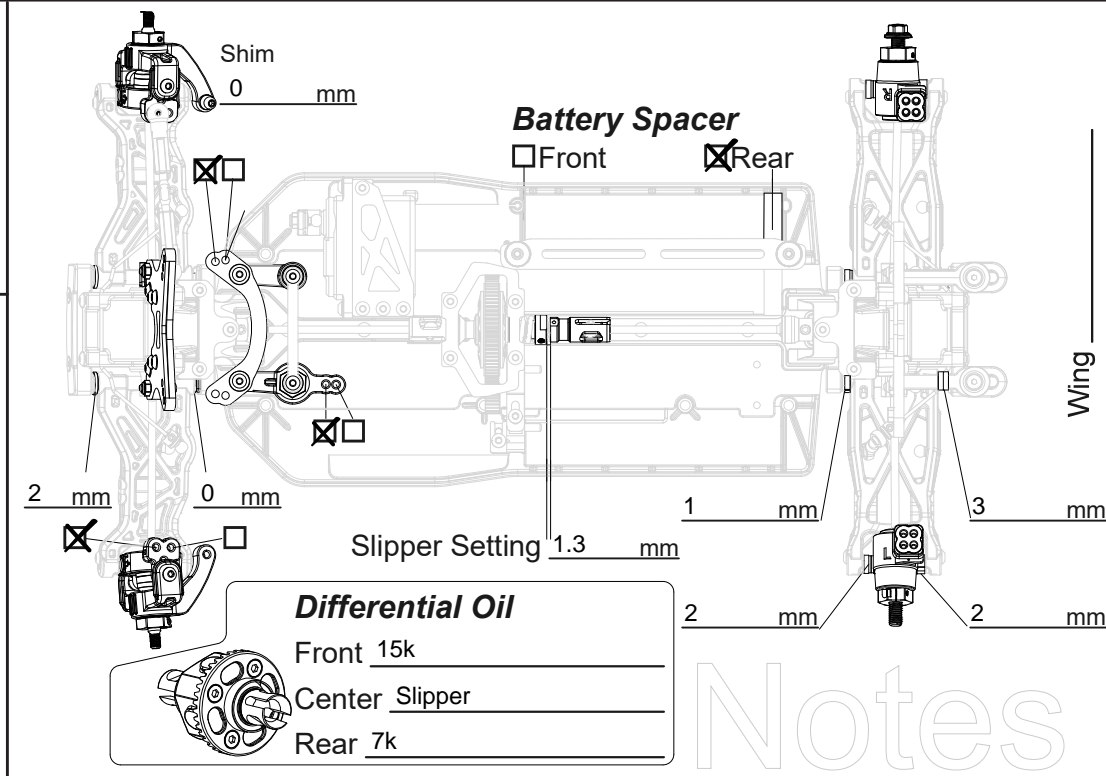
Tire

Front
 Tire Schumacher Fusion (Yellow)
 Insert Schumacher Blue
 Wheels AE offset

Rear
 Tire Schumacher Catus (Yellow)
 Insert Schumacher Blue
 Wheels AE Offset
 Glue the sidewalls of the front tires

Notes

Notes



Differential Oil
 Front 15k
 Center Slipper
 Rear 7k

When using the AE 3 pad slipper, you will need to open the center hole. You will need a total of 4 AE slipper pads. 3 on one side and 1 on the other. The side with 3 pads needs to face the rear of the car.

Double AMains, Qualified 6th. A1 Finhed 4th and A2 DNF for a final postion of 5th.

Body is a Penguin Design for the XB4

Notes Comments