

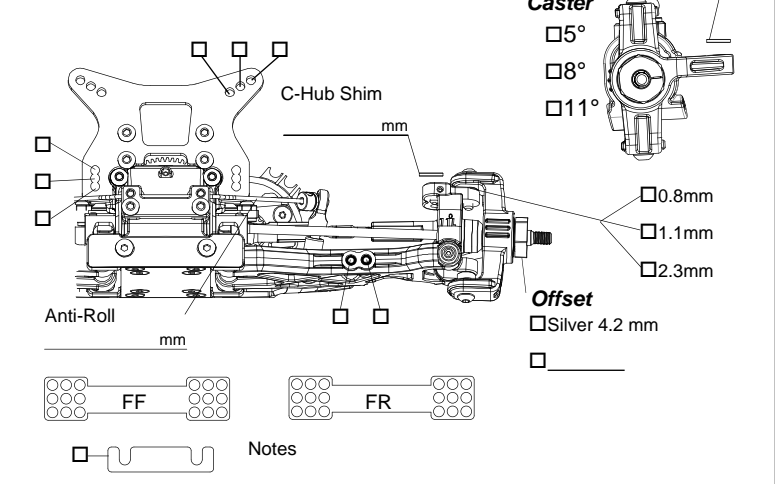
PR SB401 PR RACING TYPE R

EDGE PR SB401-R 1/10 ELECTRIC 4WD OFF ROAD BUGGY KIT
SETUP SHEET

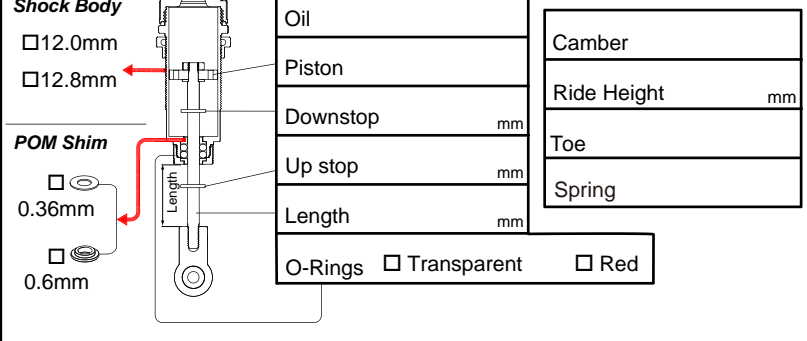
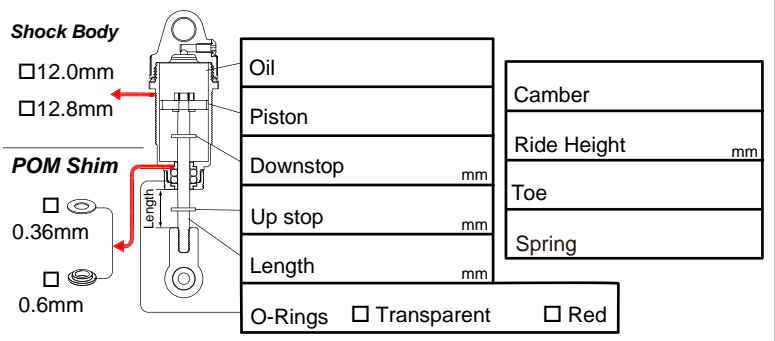
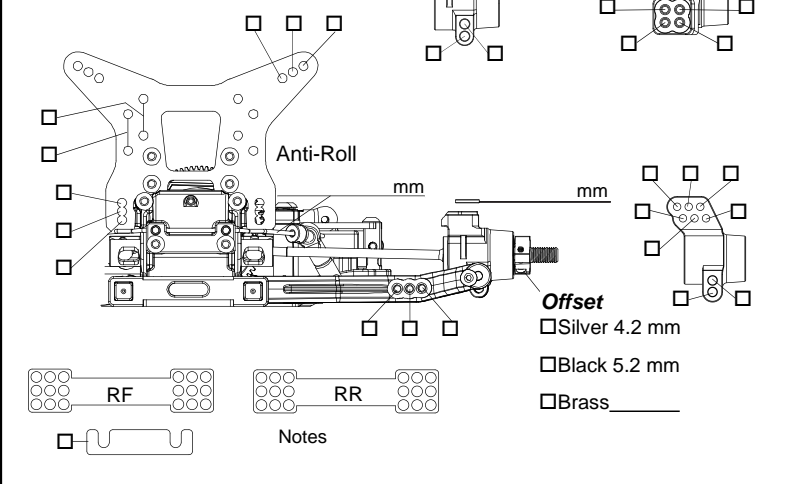
Layout	<input type="checkbox"/> Fast	<input type="checkbox"/> Mixed	<input type="checkbox"/> Technical
Traction	<input type="checkbox"/> V-Low	<input type="checkbox"/>	<input type="checkbox"/> V-High
Surface	<input type="checkbox"/> Smooth	<input type="checkbox"/> Smooth-Bumpy	<input type="checkbox"/> Bumpy
Composition	<input type="checkbox"/> Astroturf	<input type="checkbox"/> Carpet	<input type="checkbox"/> Dirt
Condition	<input type="checkbox"/> Grass	<input type="checkbox"/>	<input type="checkbox"/>
	<input type="checkbox"/> Blue Groove	<input type="checkbox"/> Hard Packed	<input type="checkbox"/> Loamy
	<input type="checkbox"/> Dusty	<input type="checkbox"/> Dry	<input type="checkbox"/> Wet

Race	Name
Track	Date
Temperature	C/F Best Lap Time sec

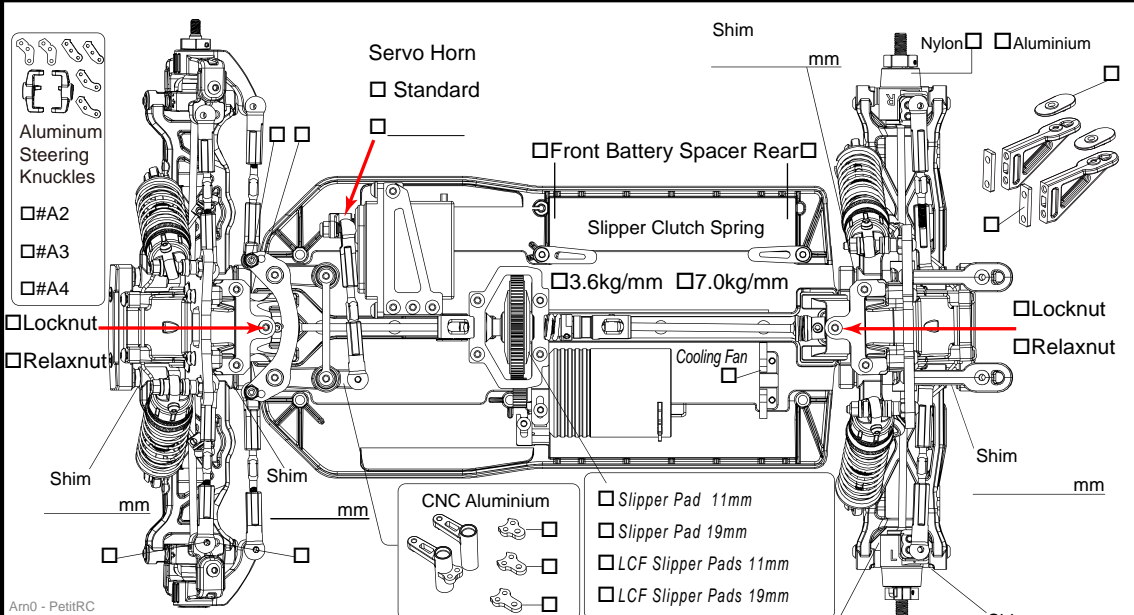
FRONT



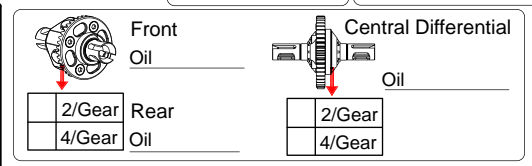
REAR



Motor	
Spur	T
Pinion	T
ESC	
Servo	<input type="checkbox"/> Std. Profile <input type="checkbox"/> Low Profile
Battery	<input type="checkbox"/> Std. Short <input type="checkbox"/> Low Short
Front	Radio System
Tire	ST-DR
Inserts	ST-EXP
Wheels	ST-Speed
Rear	Radio System
Tire	TH-DR
Inserts	TH-EXP
Wheels	TH-Speed



Tyres Notes



Body	<input type="checkbox"/> Standard <input type="checkbox"/> Light
Wishbone hardness	
Medium	High (Graphite)
<input type="checkbox"/> Front <input type="checkbox"/> Rear	<input type="checkbox"/> Front <input type="checkbox"/> Rear

