



PRSV3TR

Ann0 - PetitIRC.com

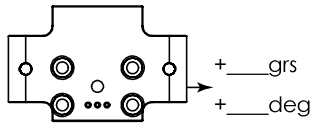
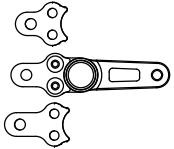
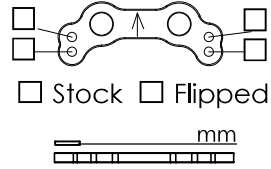
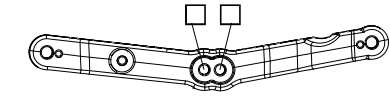
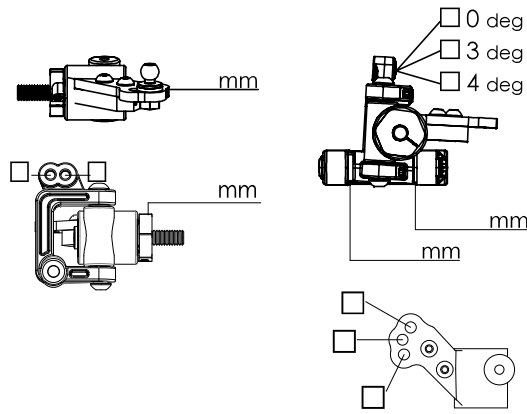
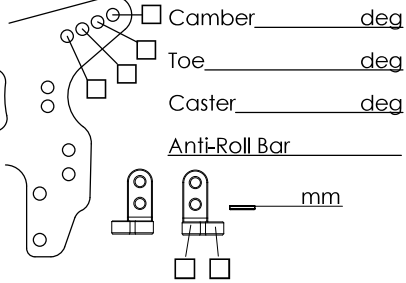
Name _____

Date _____

Track/City _____

Event _____

Front Suspension



Shock Oil _____

Shock Piston _____

Spring _____

Preload _____ mm

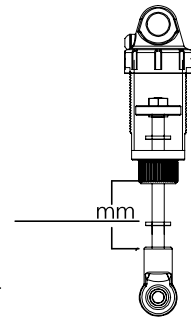
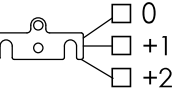
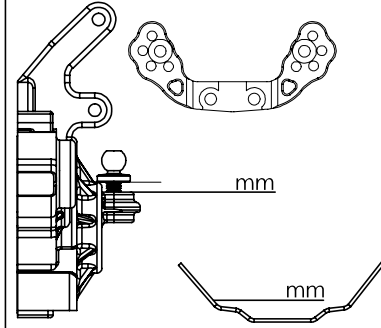
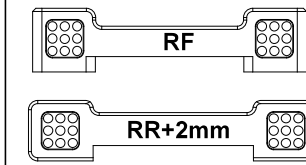
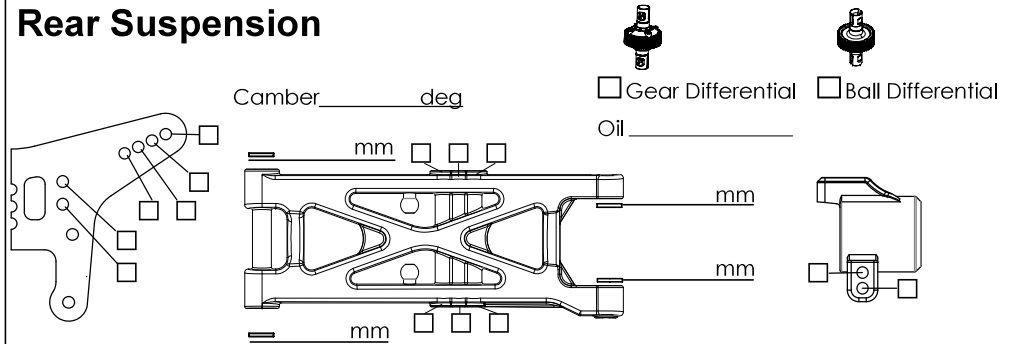
O-Ring Blue Red

Limiters
Inside _____ mm

Outside _____ mm

Notes

Rear Suspension



Shock Oil _____

Shock Piston _____

Spring _____

Preload _____ mm

O-Ring Blue Red

Limiters
Inside _____ mm

Outside _____ mm

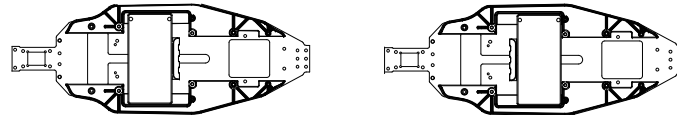
Notes

Tires & Wheels

Front Tire _____	Rear Tire _____
Wheel _____	Wheel _____
Inserts _____	Inserts _____

Notes

Battery Position



Temp

Humidity

Track Conditions

Composition: Astro Carpet Clay Dirt Grass

Layout: Open Mixed Tight

Traction: Low Medium High

Surface: Smooth Bumpy

Others

ESC _____

Motor _____

Battery _____

Pinion/Spur _____

Wing _____