

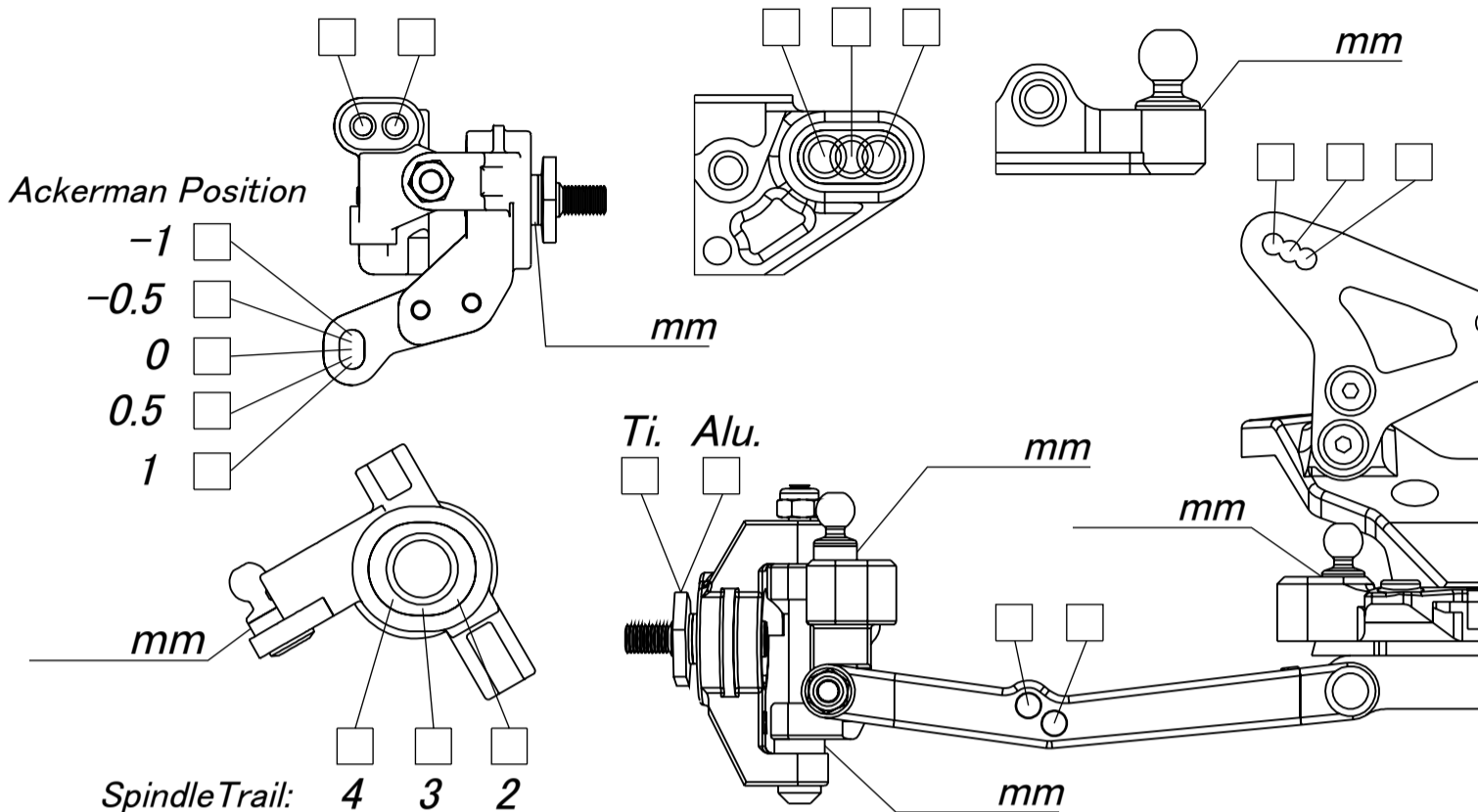
Driver: _____
 Date: _____
 Track: _____
 Event: _____

Size: Open Medium Tight
 Traction: High Medium Low
 Condition: Smooth Bumpy Dry Wet
 Composition: Carpet Dirt Astroturf
 Grass _____

B2001 Ver. 2404 - Arno

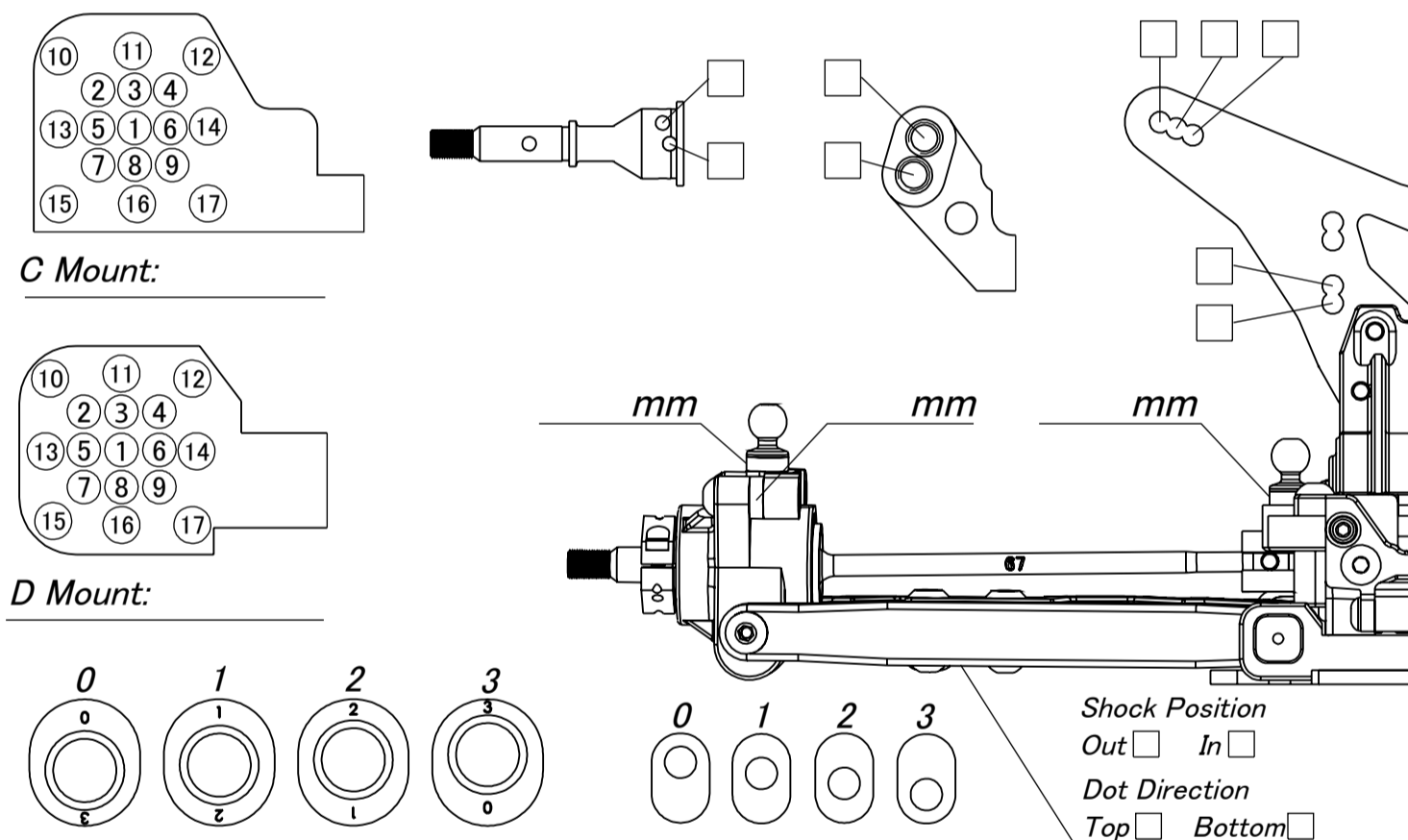
Front Suspension

Ride Height: _____
 Camber: _____
 Toe: _____
 Anti-Roll Bar: _____
 Front Bulkhead Spacer:
 Plastic mm / Brass mm
 Shock Pivot Ball Position:
 Fwd Back

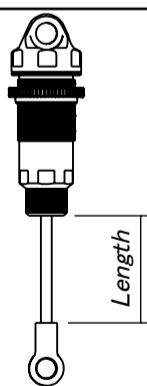


Rear Suspension

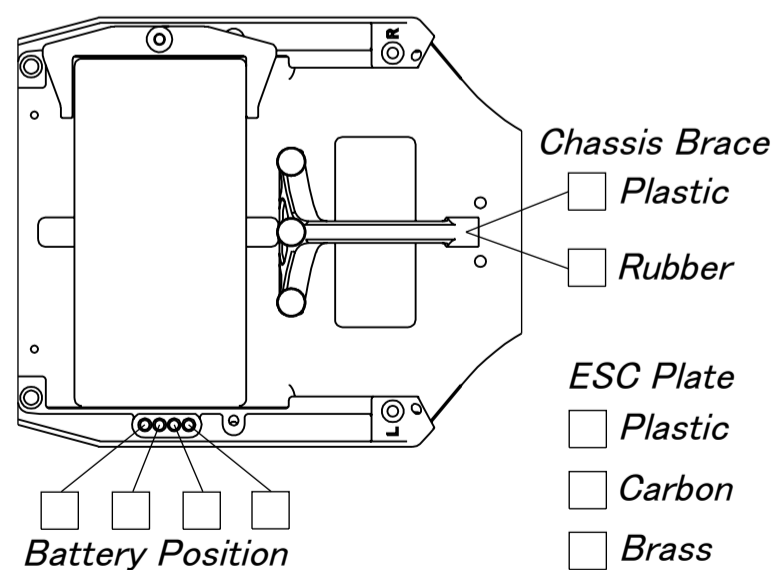
Ride Height: _____
 Camber: _____
 Anti-Roll Bar: _____
 Arm Position: Fwd Back
 Hub Position: Fwd Mid Back
 Shock Pivot Ball Position:
 Fwd Back



Shocks



Piston:	Front		Rear	
Oil:				
Spring:				
Length:				
Limiters:	Int:	Ext:	Int:	Ext:
Eyelet Length:	Std <input type="checkbox"/>	+2 <input type="checkbox"/>	Std <input type="checkbox"/>	+2 <input type="checkbox"/>
Cup Offset:	Low <input type="checkbox"/>	Mid <input type="checkbox"/> High <input type="checkbox"/>	Low <input type="checkbox"/>	Mid <input type="checkbox"/> High <input type="checkbox"/>



Electronics

Radio: _____
 Servo: _____
 ESC: _____
 Motor: _____
 Gearing: _____
 Battery: _____

Weight

Servo Weight: Yes No
 Battery Weight: 19g 37g

Differential

Gear Diff 2 Gear Oil: _____
 4 Gear Friction O-ring: _____
 Ball Diff Setting: _____

Tire	Front	Rear
Type:		
Compound:		
Insert:		
Wheel:		
Additive:		

Total Weight: _____ g

Body & Wing

Body: _____
 Rear Wing: _____
 Wing Angle: 0° 3° 6°
 Front Wing: _____ Low High