

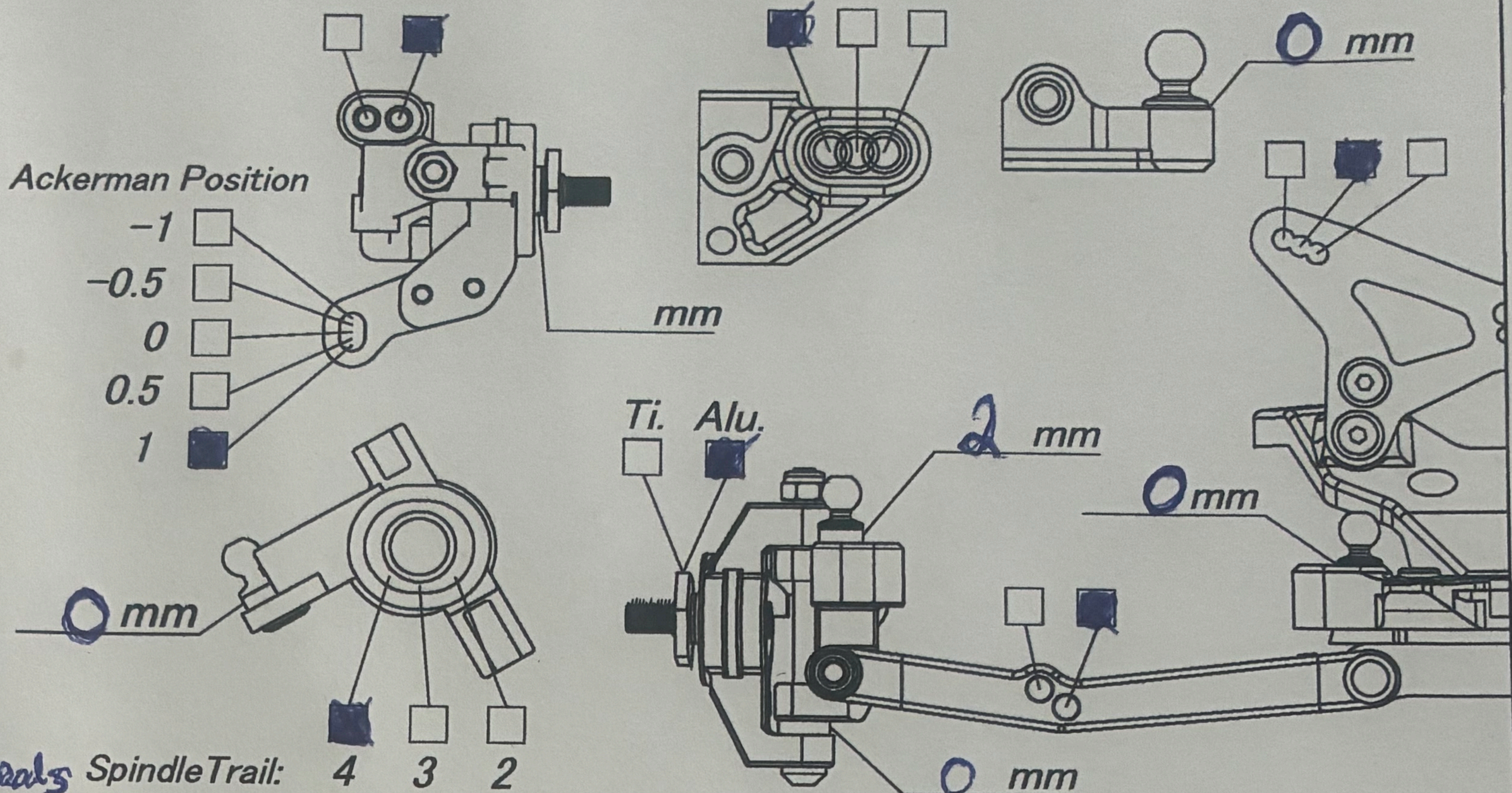
Driver: Shawn
 Date: _____
 Track: En Hobbies
 Event: _____

Size: Open Medium Tight
 Traction: High Medium Low
 Condition: Smooth Bumpy Dry Wet
 Composition: Carpet Dirt AstroTurf
 Grass

B2001 Ver. 2404 - Arno

Front Suspension

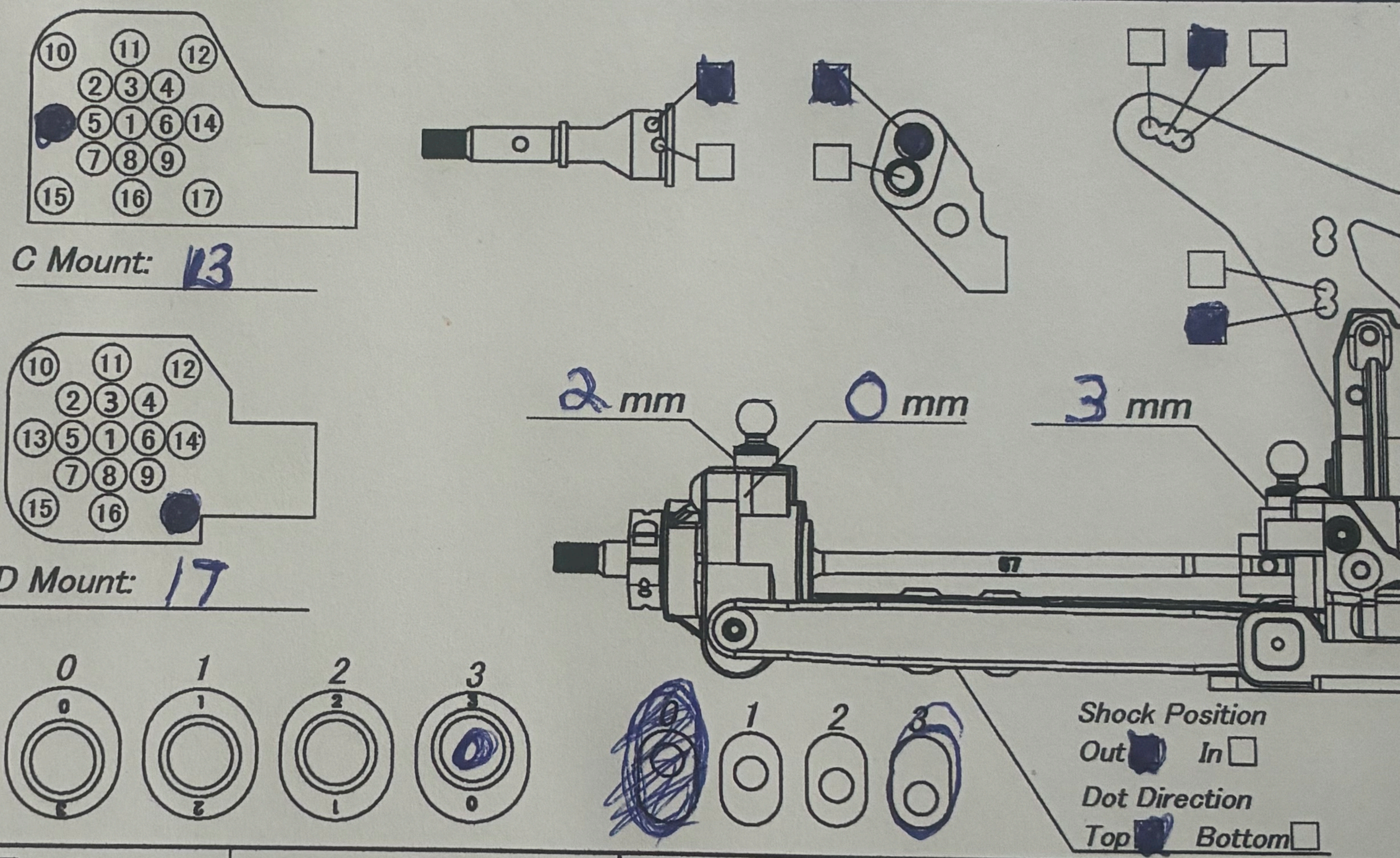
Ride Height: 14
 Camber: -2
 Toe: 0
 Anti-Roll Bar: 1.1
 Front Bulkhead Spacer:
 Plastic 2mm / Brass _____ mm
 Shock Pivot Ball Position:
 Fwd Back



-2 Shock tower
Aluminium RACK
and Bellcranks
Titanium screws and tie rods

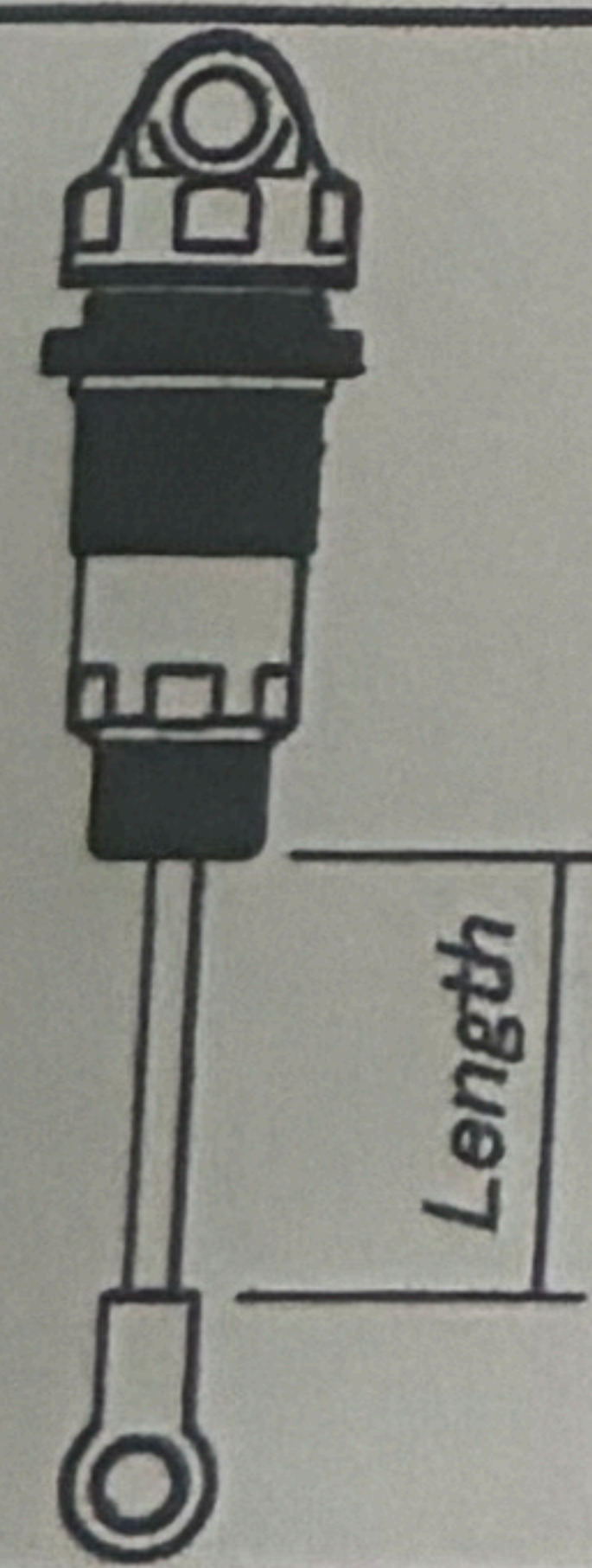
Rear Suspension

Ride Height: 14
 Camber: -2
 Anti-Roll Bar: 1.3
 Arm Position: Fwd Back
 Hub Position: Fwd Mid Back
 Shock Pivot Ball Position:
 Fwd Back

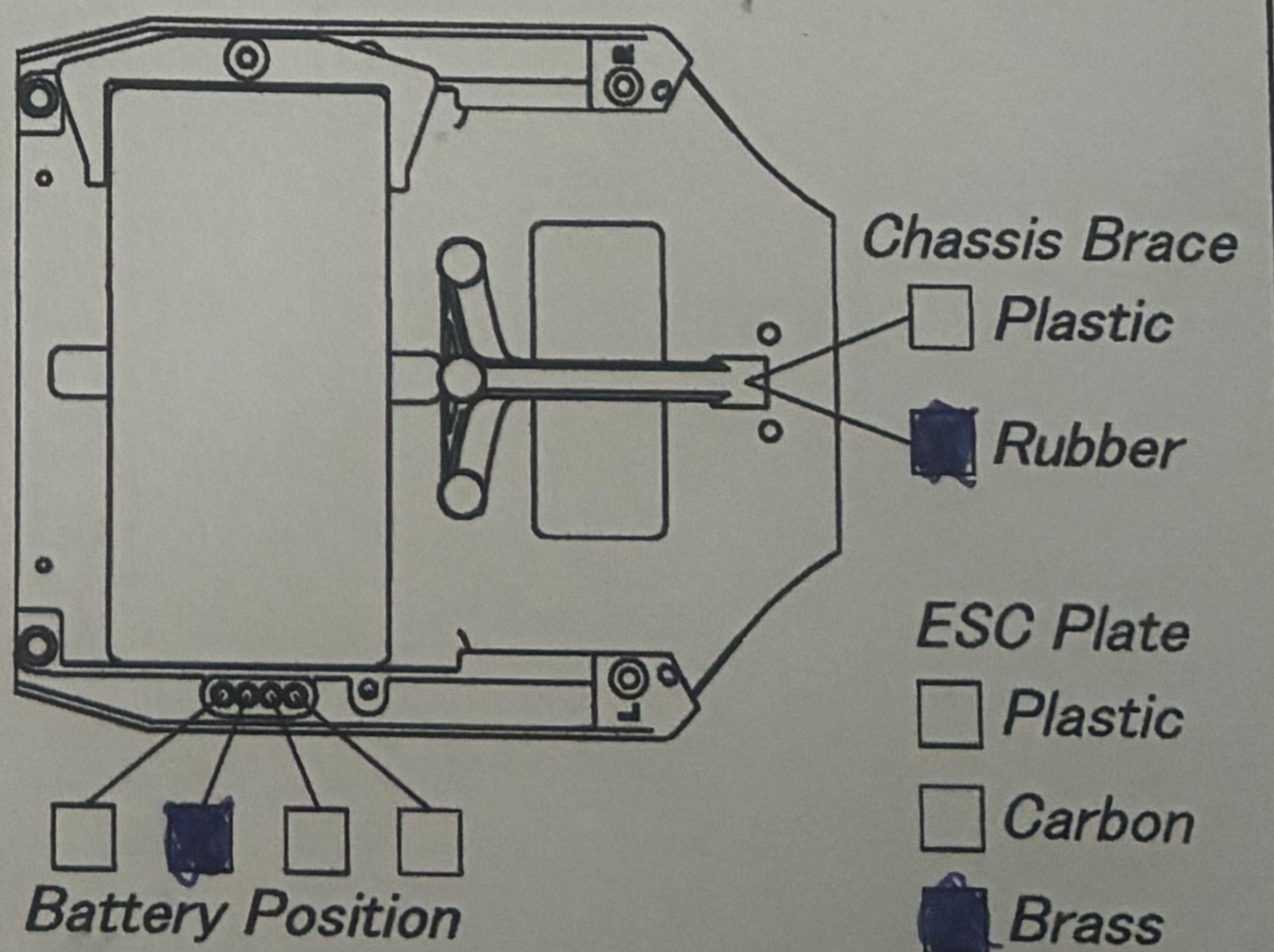


Rear Universal
-2 Shock tower

Shocks



	Front	Rear
Piston:	<u>2 hole 1.7</u>	<u>2 hole 1.8</u>
Oil:	<u>37.5</u>	<u>35</u>
Spring:	<u>4 dot</u>	<u>4 dot</u>
Length:	<u>21</u>	<u>27.5</u>
Limiters:	Int: <u>1</u> Ext: <u>4</u>	Int: <u>2</u> Ext: <u>1</u>
Eyelet Length:	Std <input type="checkbox"/> +2 <input checked="" type="checkbox"/>	Std <input checked="" type="checkbox"/> +2 <input type="checkbox"/>
Cup Offset:	Low <input type="checkbox"/> Mid <input checked="" type="checkbox"/> High <input type="checkbox"/>	Low <input type="checkbox"/> Mid <input checked="" type="checkbox"/> High <input type="checkbox"/>



Total Weight: _____ g

Electronics

Radio: M17
 Servo: Reds
 ESC: Reds
 Motor: Reds

Differential

Gear Diff 2 Gear 4 Gear Oil: 200K
 Friction O-ring: _____
 Ball Diff Setting: _____

Tire	Front	Rear
Type:	<u>Jcon</u>	<u>Jcon</u>
Compound:	<u>Pink</u>	<u>Pink</u>
Insert:	<u>Stack</u>	<u>Stack</u>
Wheel:	<u>Jcon</u>	<u>Jcon</u>

Body & Wing

Battery: SMC
 Weight
 Servo Weight: Yes No
 Battery Weight: 19g 37g

Body: Jcon
 Rear Wing: Jcon
 Wing Angle: 0° 3° 6°
 Front Wing: Low High