

Driver: _____

Date: _____

Track: _____

Event: _____

Size: Open Medium Tight

Traction: High Medium Low

Condition: Smooth Bumpy Dry Wet

Composition: Carpet Dirt Astroturf

Grass _____

B2001 Ver. 2402 - Arno

Front Suspension

Ride Height: _____

Camber: _____

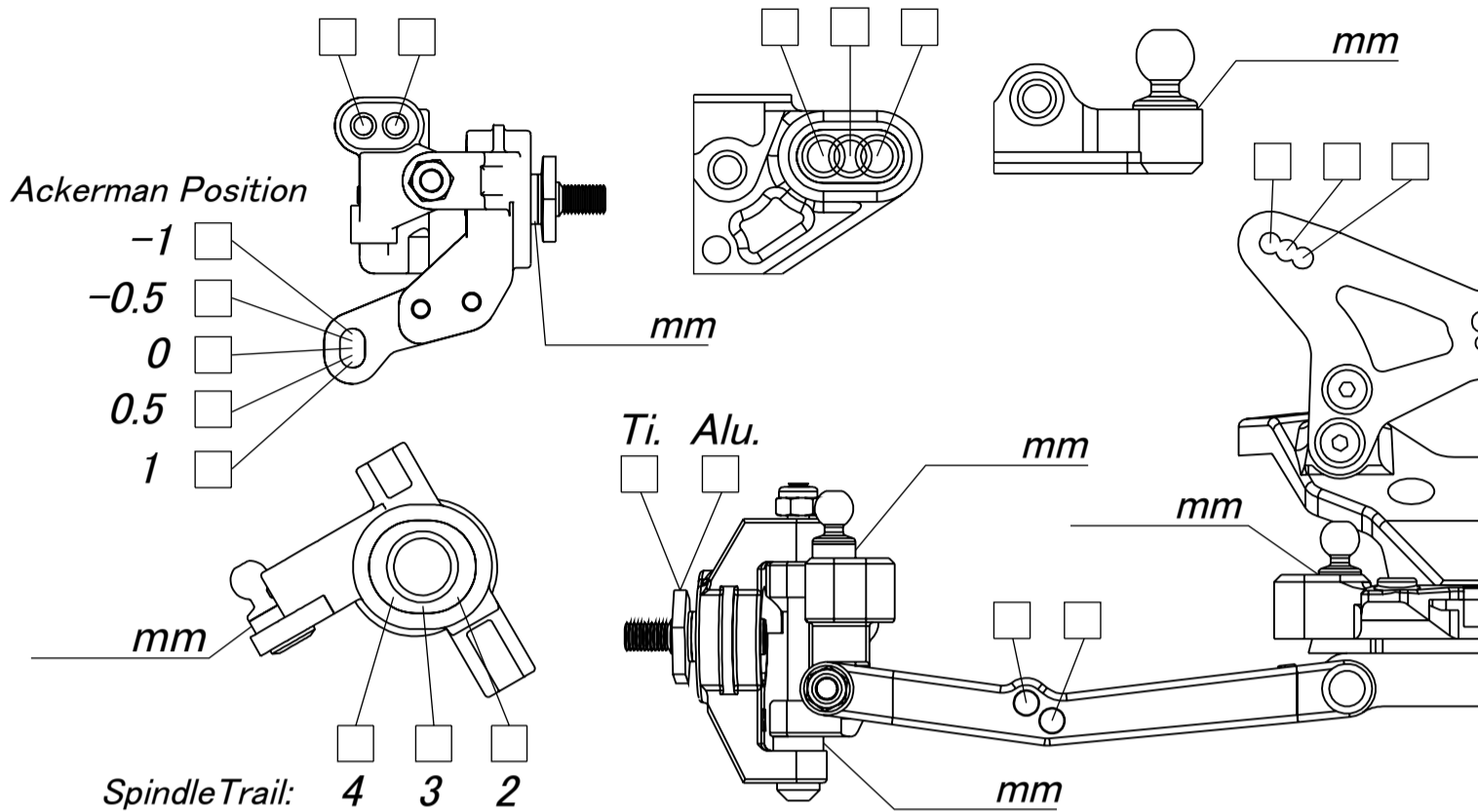
Toe: _____

Anti-Roll Bar: _____

Front Bulkhead Spacer: _____

Plastic mm / Brass mm

Notes: _____



Rear Suspension

Ride Height: _____

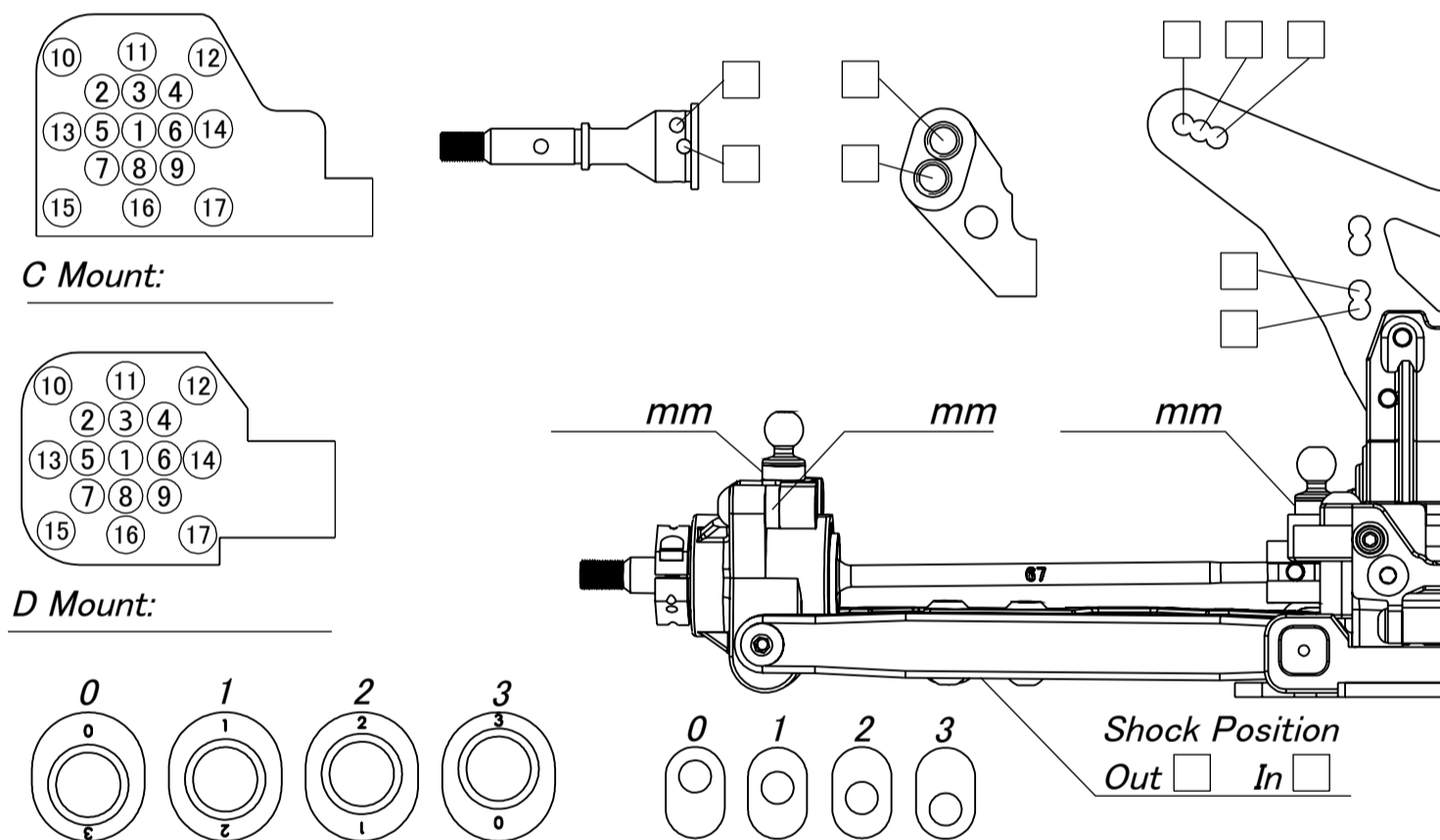
Camber: _____

Anti-Roll Bar: _____

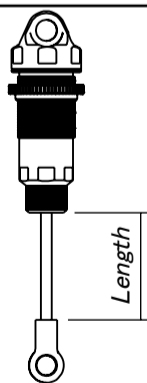
Arm Position: Fwd Back

Hub Position: Fwd Mid Back

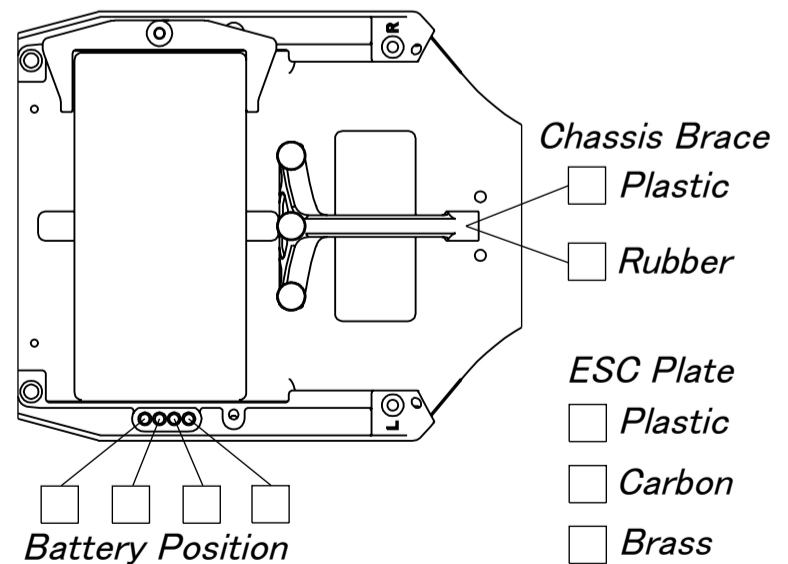
Notes: _____



Shocks



	Front		Rear	
Piston:				
Oil:				
Spring:				
Length:				
Limiters:	Int:	Ext:	Int:	Ext:
Eyelet Length:	Std <input type="checkbox"/>	+2 <input type="checkbox"/>	Std <input type="checkbox"/>	+2 <input type="checkbox"/>
Cup Offset:	Low <input type="checkbox"/>	Mid <input type="checkbox"/> High <input type="checkbox"/>	Low <input type="checkbox"/>	Mid <input type="checkbox"/> High <input type="checkbox"/>



Electronics

Differential

Radio:	Gear Diff <input type="checkbox"/>	2 Gear <input type="checkbox"/>	Oil:
Servo:		4 Gear <input type="checkbox"/>	Friction O-ring: <input type="checkbox"/>
ESC:	Ball Diff <input type="checkbox"/>	Setting: _____	

Motor:	Tire	Front	Rear
Gearing:	Type: _____		
Battery:	Compound: _____		
Weight	Insert: _____		
Servo Weight: Yes <input type="checkbox"/> No <input type="checkbox"/>	Wheel: _____		
Battery Weight: 19g <input type="checkbox"/> 37g <input type="checkbox"/>	Additive: _____		

Total Weight: _____ g

Body & Wing

Body:	
Rear Wing:	
Wing Angle:	0° <input type="checkbox"/> 3° <input type="checkbox"/> 6° <input type="checkbox"/>
Front Wing:	Low <input type="checkbox"/> High <input type="checkbox"/>