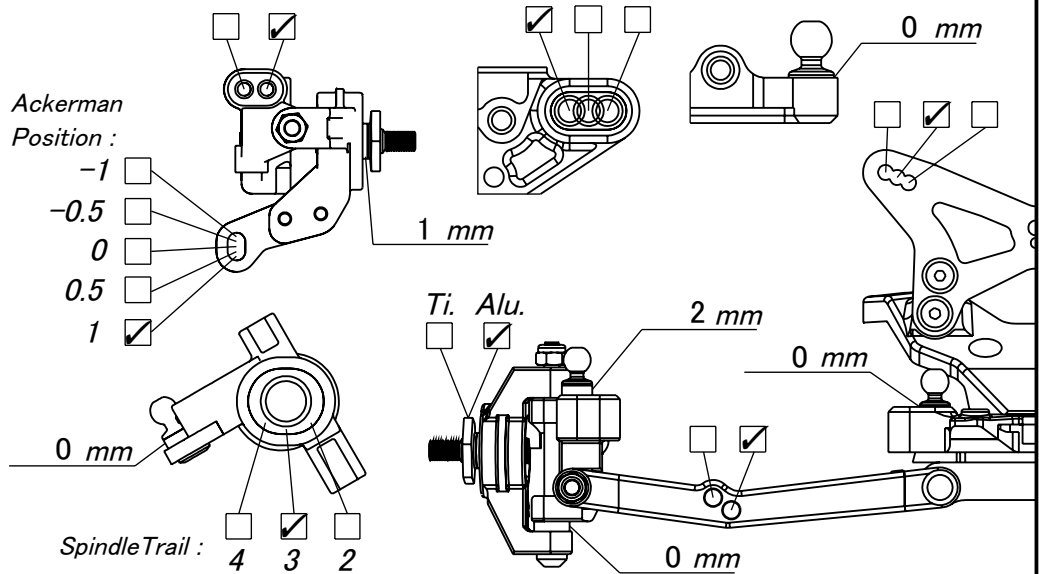


Driver : _____
 Date : _____
 Track : _____
 Event : Carpet Standard Setup

Track Condition
 Size : Open Mid Tight
 Traction : High Mid Low
 Condition : Smooth Bumpy Dry Wet
 Surface : Carpet Dirt AstroTurf

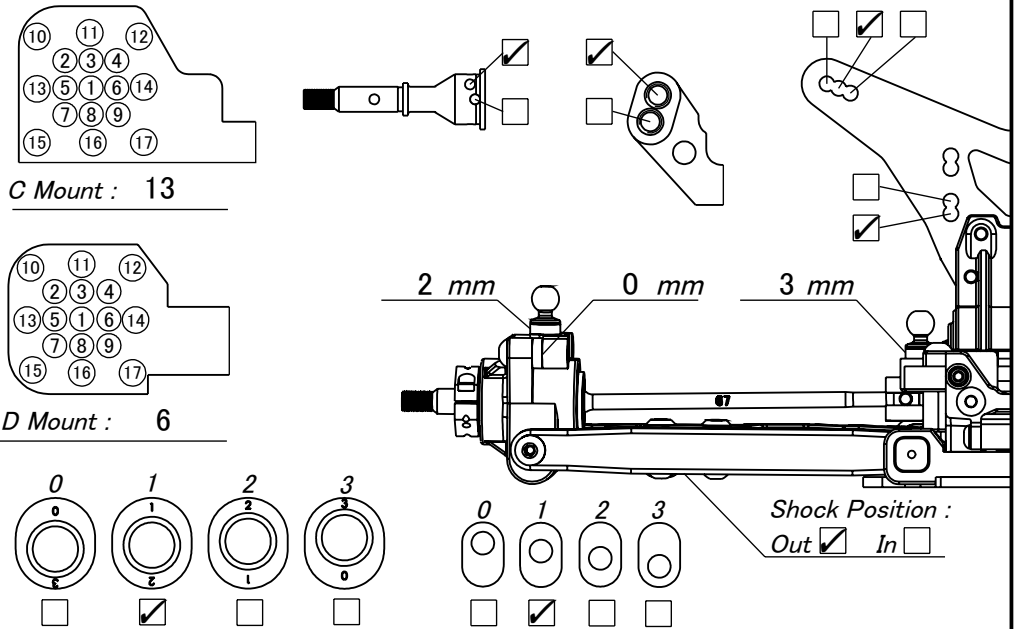
Front Suspension

Ride Height : 15mm
 Camber : 2°
 Toe : 0°
 Anti-roll Bar : ϕ 1.1
 Front Bulkhead Spacer :
 Plastic 2 mm / Brass mm
 Notes :

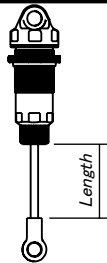


Rear Suspension

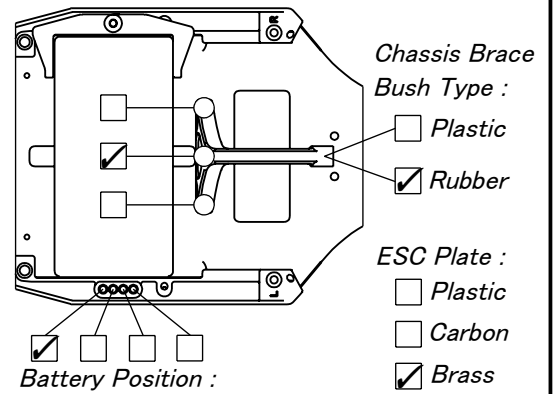
Ride Height : 15mm
 Camber : 2°
 Anti-roll Bar : ϕ 1.1
 Arm Position : Fwd Back
 Hub Position : Fwd Mid Back
 Notes :



Shocks



	Front	Rear
Piston :	2.0-1.6x4	2.0-1.7x2+1.8x2
Oil :	500	550
Spring :	4 Dots	3 Dots
Length :	25.5mm	31mm
Limiters :	Int : Ext : 3mm	Int : Ext :
Eyelet Length :	Std <input checked="" type="checkbox"/> +2 <input type="checkbox"/>	Std <input checked="" type="checkbox"/> +2 <input type="checkbox"/>
Cup Offset :	Low <input type="checkbox"/> Mid <input type="checkbox"/> High <input checked="" type="checkbox"/>	Low <input type="checkbox"/> Mid <input checked="" type="checkbox"/> High <input type="checkbox"/>



Electronics

Differential

Radio :	Gear Diff <input checked="" type="checkbox"/>	2 Gear <input checked="" type="checkbox"/>	Oil : 10,000
Servo :	4 Gear <input type="checkbox"/>	Friction O-ring : 0	
ESC :	Ball Diff <input type="checkbox"/>	Setting :	

	Tire	Front	Rear
Motor :			
Gearing :	Type :		
Battery : Low Profile / 160 g	Compound :		
Weight	Inserts :		
Servo Weight : Yes <input checked="" type="checkbox"/> No <input type="checkbox"/>	Wheel :		
Battery Weight : 19g <input type="checkbox"/> 37g <input checked="" type="checkbox"/>	Additive :		

Total Weight : _____ g

Body & Wing

Body : Standard
 Rear Wing : Standard/ Cut 4mm from the cut line
 Wing Angle : 0° 3° 6°
 Front Wing : Standard Low High