



Driver: \_\_\_\_\_

Date: \_\_\_\_\_

Track: \_\_\_\_\_

Event: \_\_\_\_\_

Size: Open  Medium  Tight   
 Traction: High  Medium  Low   
 Condition: Smooth  Bumpy  Dry  Wet   
 Composition: Carpet  Dirt  Astroturf   
 Grass  \_\_\_\_\_

B2001 Ver. 2402 - Arno

### Front Suspension

Ride Height: \_\_\_\_\_

Camber: \_\_\_\_\_

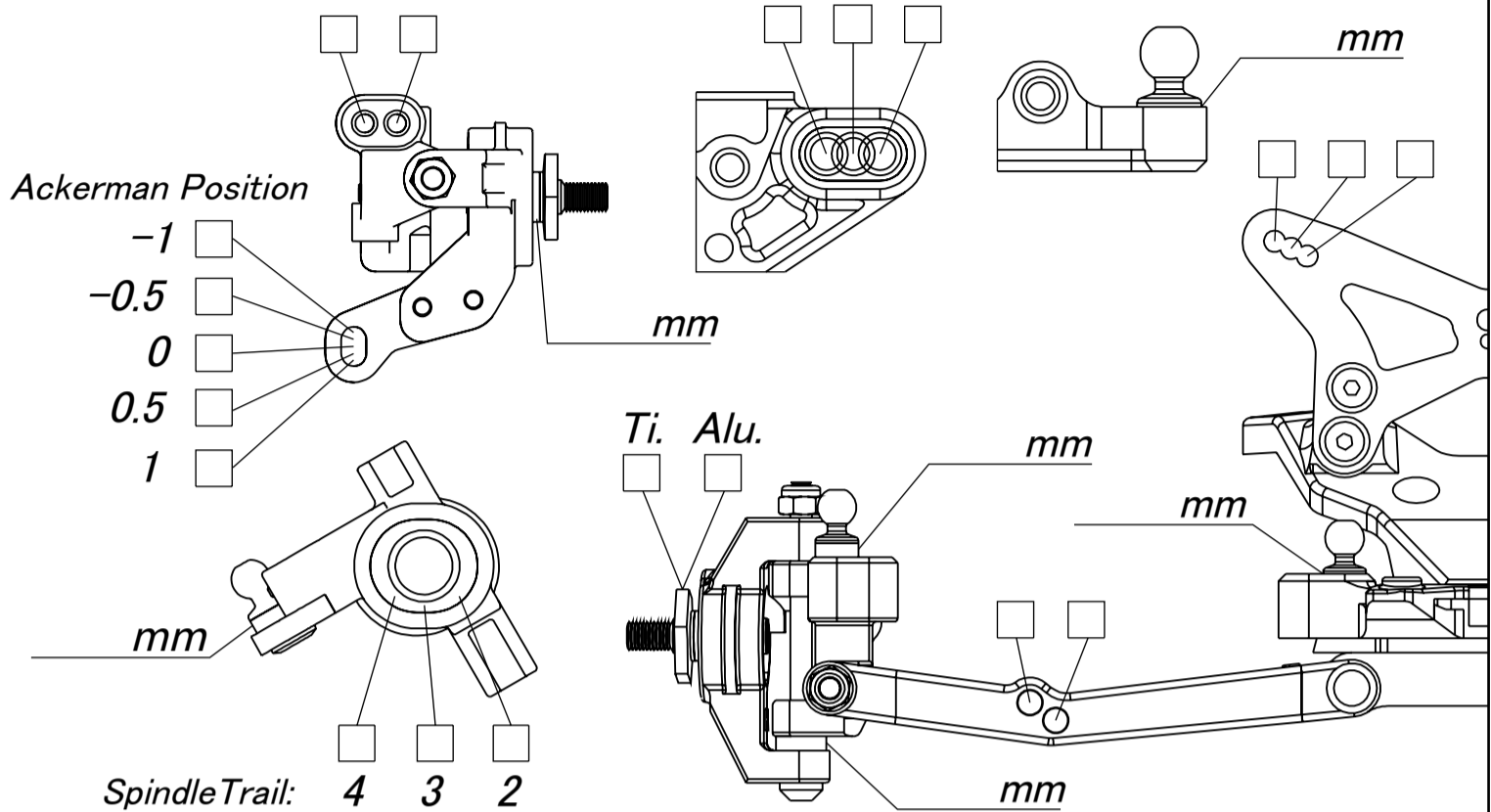
Toe: \_\_\_\_\_

Anti-Roll Bar: \_\_\_\_\_

Front Bulkhead Spacer: \_\_\_\_\_

Plastic  mm / Brass  mm

Notes: \_\_\_\_\_



### Rear Suspension

Ride Height: \_\_\_\_\_

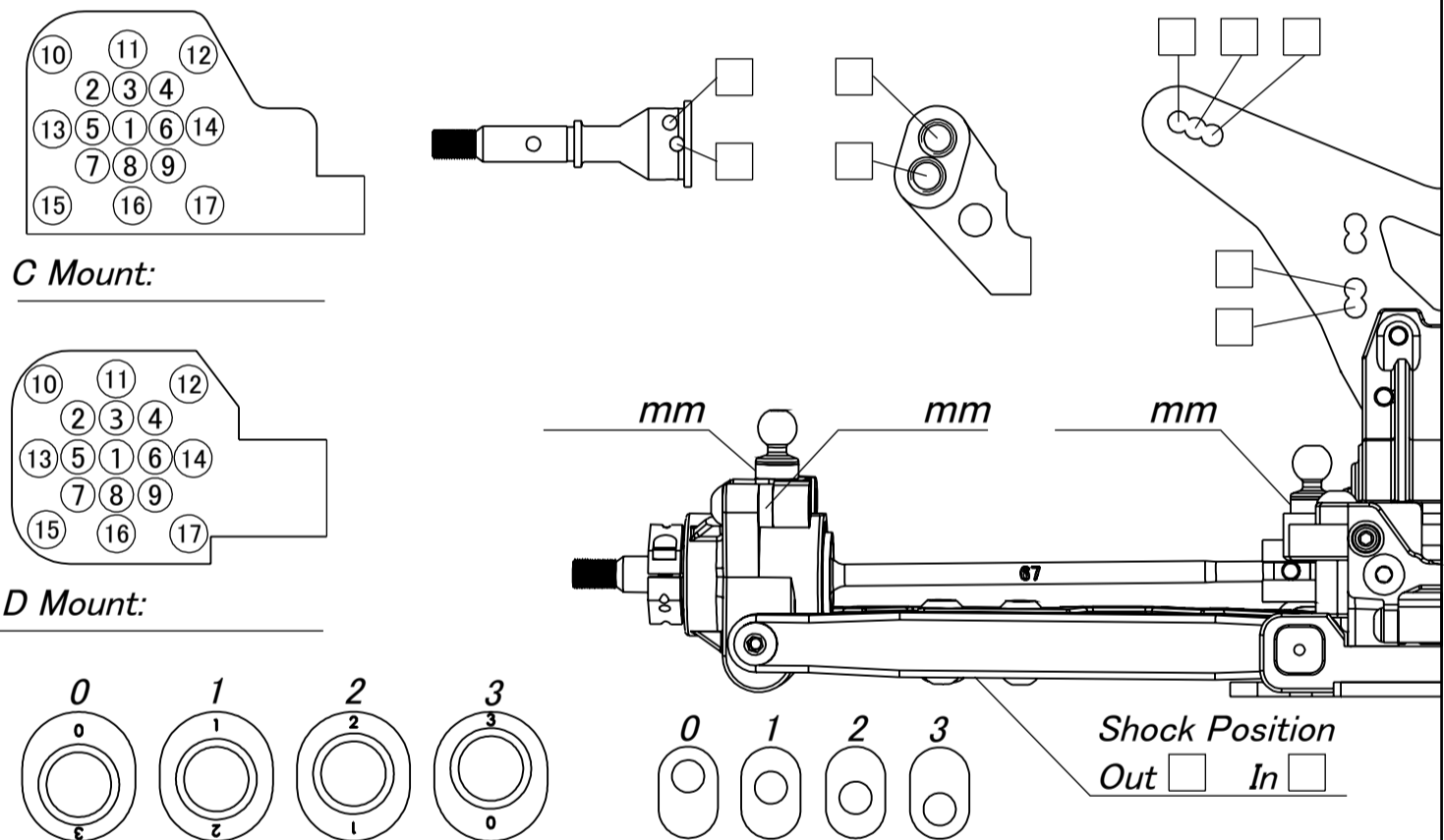
Camber: \_\_\_\_\_

Anti-Roll Bar: \_\_\_\_\_

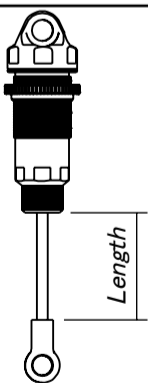
Arm Position: Fwd  Back

Hub Position: Fwd  Mid  Back

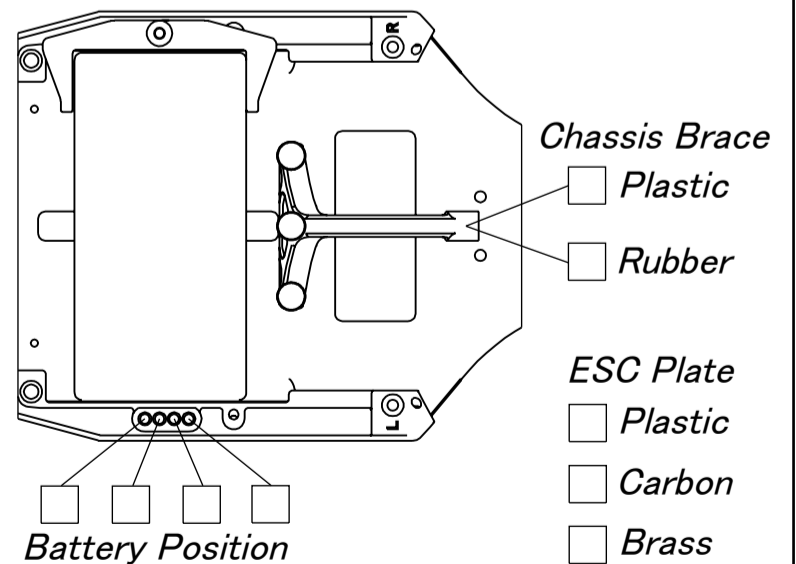
Notes: \_\_\_\_\_



### Shocks



	Front			Rear		
Piston:						
Oil:						
Spring:						
Length:						
Limiters:	Int:	Ext:		Int:	Ext:	
Eyelet Length:	Std <input type="checkbox"/>	+2 <input type="checkbox"/>		Std <input type="checkbox"/>	+2 <input type="checkbox"/>	
Cup Offset:	Low <input type="checkbox"/>	Mid <input type="checkbox"/>	High <input type="checkbox"/>	Low <input type="checkbox"/>	Mid <input type="checkbox"/>	High <input type="checkbox"/>



### Electronics

Radio: \_\_\_\_\_

Servo: \_\_\_\_\_

ESC: \_\_\_\_\_

### Differential

Gear Diff  2 Gear  Oil: \_\_\_\_\_

4 Gear  Friction O-ring: \_\_\_\_\_

Ball Diff  Setting: \_\_\_\_\_

Motor: \_\_\_\_\_

Gearing: \_\_\_\_\_

Battery: \_\_\_\_\_

**Tire**

Front \_\_\_\_\_ Rear \_\_\_\_\_

Type: \_\_\_\_\_

Compound: \_\_\_\_\_

Insert: \_\_\_\_\_

Total Weight: \_\_\_\_\_ g

### Weight

Servo Weight: Yes  No

Battery Weight: 19g  37g

Wheel: \_\_\_\_\_

Additive: \_\_\_\_\_

### Body & Wing

Body: \_\_\_\_\_

Rear Wing: \_\_\_\_\_

Wing Angle: 0°  3°  6°

Front Wing: Low  High