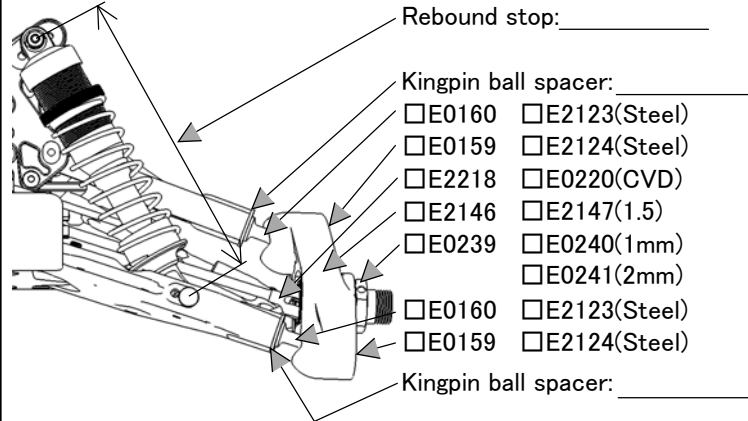


Name: \_\_\_\_\_  
Date: \_\_\_\_\_  
Track: \_\_\_\_\_

**Track Condition**  
Size:  Open  Med.  Tight  
Traction:  High  Med.  Low  
Surface:  Smooth  Med.  Bumpy

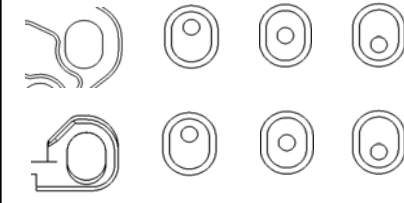
**Result**  
Race time / Lap: \_\_\_\_\_  
Best lap (1Lap): \_\_\_\_\_

**Front Suspension**

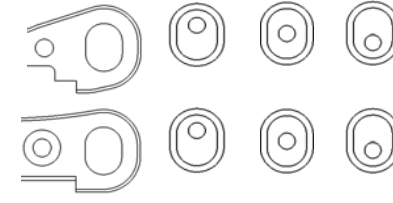


Ride height: \_\_\_\_\_  
Toe angle: \_\_\_\_\_  
Lower arm plate:  
 E2144A,B  
 E2154(CFRP 1mm)  
 E2155(CFRP 1.2mm)  
Anti roll bar: \_\_\_\_\_  
Upper arm spacer:

Upper arm position:



Lower arm position (Kick up):

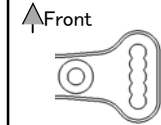


Lower arm spacer:

**Front Shocks**

Piston: \_\_\_\_\_ Oil: \_\_\_\_\_  
Spring: \_\_\_\_\_  
Shock position:  
  
Pivot ball position:  Front  Rear  
Damper stay:  E2562(Aluminum)  
 E2565(CFRP)

**Ackermann**



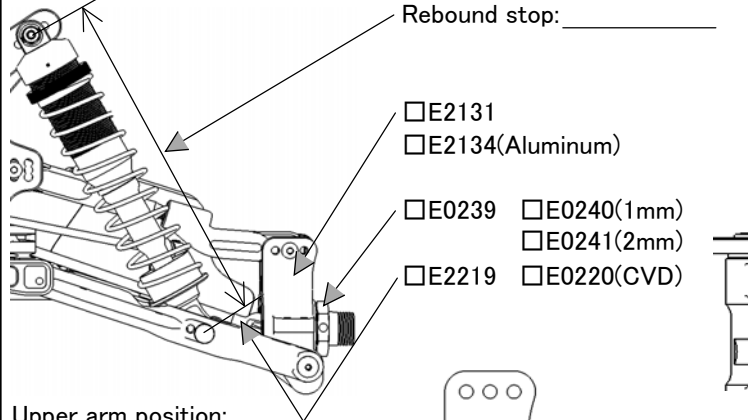
**Front Upper Plate**

E2148D  E2158(CFRP)

**Servo Saver Arm**

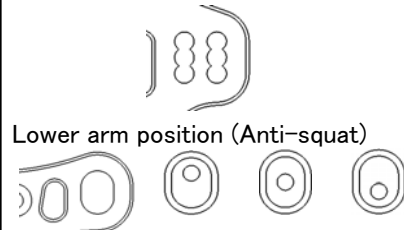
E2301A  E2310(Aluminum)

**Rear Suspension**

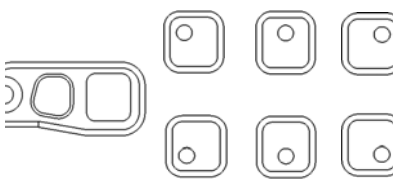


Ride height: \_\_\_\_\_  
Camber angle: \_\_\_\_\_  
Lower arm plate:  
 E2145A,B  
 E2156(CFRP 1mm)  
 E2157(CFRP 1.2mm)  
Anti roll bar: \_\_\_\_\_  
Lower arm spacer:

Upper arm position:



Lower arm position (Toe angle):



Upright spacer:

**Rear Shocks**

Piston: \_\_\_\_\_ Oil: \_\_\_\_\_  
Spring: \_\_\_\_\_  
Shock position:  
  
Pivot ball position:  Front  Rear  
Damper stay:  E2563(Aluminum)  
 E2566(CFRP)

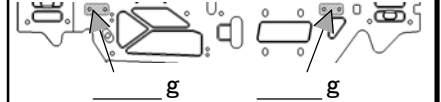
**Center Shaft**

E0223,E0259  E2228,E2229

**Tension Rod**

Front:  E2107A(Long)  E2107B(Short)  
Rear:  E2148C  E0803(Rubber)

**Ballast**



**Engine**

Type: \_\_\_\_\_ Plug: \_\_\_\_\_ Reducer: \_\_\_\_\_  
Muffler: \_\_\_\_\_ Fuel: \_\_\_\_\_ Gasket: \_\_\_\_\_  
Engine mount:  E0701(Standard)  Other \_\_\_\_\_

**Differential**

Oil \_\_\_\_\_  
Front:  44/13T  42/12T  
Rear:  44/13T  42/12T  
Center:  44T  46T  
 47T  48T

**Tyres**

**Front**

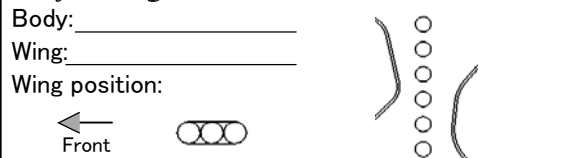
**Rear**

Type: \_\_\_\_\_  
Compound: \_\_\_\_\_  
Inserts: \_\_\_\_\_  
Wheel: \_\_\_\_\_

**Clutch**

3P  4P  
Clutch bell:  13T  14T  
Clutch shoes  C0754  E0704  E0710  E2706  
Clutch spring  0.8  0.9  0.95  1.0  1.05  1.1

**Body & Wing**



*Comments*