



SET-UP SHEET



DATE: ___ / ___ / ___
 DRIVER: _____
 TRACK: _____

FRONT SUSPENSION

(CIRCLE OR CHECK CORRECT SETTINGS)

FRONT SPINDLE CARRIERS: 25°, 30°

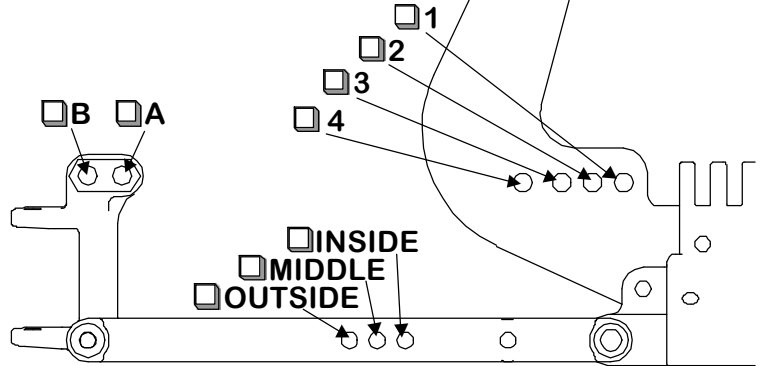
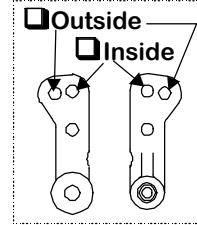
TOE-IN / TOE-OUT: _____°

FRONT RIDE HEIGHT: _____

FRONT CAMBER: $\bar{+}$ _____°

SWAY BAR: NO, YES - SIZE: _____

NOTES: _____



Arn0 at Petitr.com

FRONT SHOCKS

OIL: _____
 PISTON: _____ DRILLED / STANDARD
 SPRING: _____
 LIMITERS: INSIDE- _____, OUTSIDE- _____

REAR SUSPENSION

PIVOT SUPPORT: 0°, 2°

REAR RIDE HEIGHT: _____

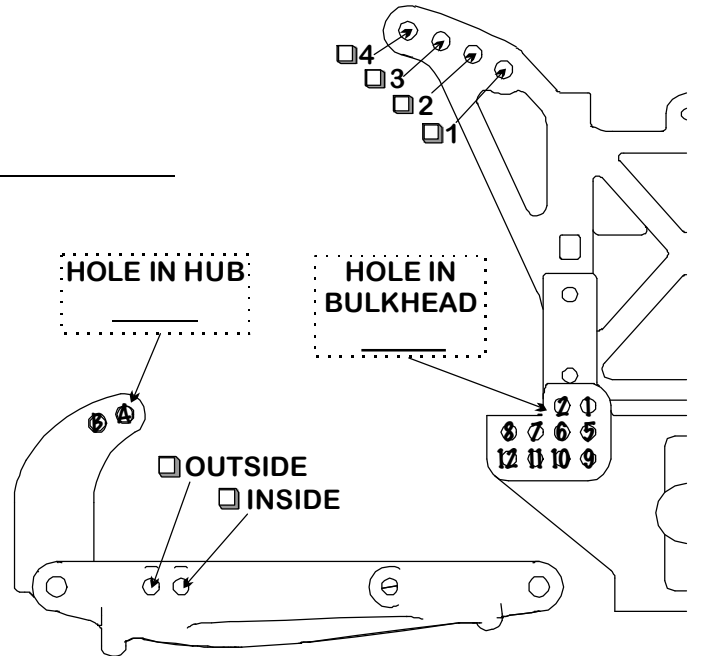
REAR CAMBER: $\bar{+}$ _____°

SWAY BAR: NO, YES - SIZE: _____

NOTES: _____

REAR SHOCKS

OIL: _____
 PISTON: _____ DRILLED / STANDARD
 SPRING: _____
 LIMITERS: INSIDE- _____, OUTSIDE- _____



TRANSMISSION & CHASSIS

HYDRA-DRIVE: NO, YES - FLUID: LIGHT, STD., HEAVY

FRONT TIRE: _____ H.T., GOLD, SILVER

REAR TIRE: _____ H.T., GOLD, SILVER

CHASSIS: SHORT, STANDARD, LONG, X-LONG

BATTERY: 6 CELL, 7 CELL BATTERY PLACEMENT: _____

TRANSMISSION: 2.19, 2.61

MOTOR: _____

PINION GEAR: _____

SPUR GEAR: _____