

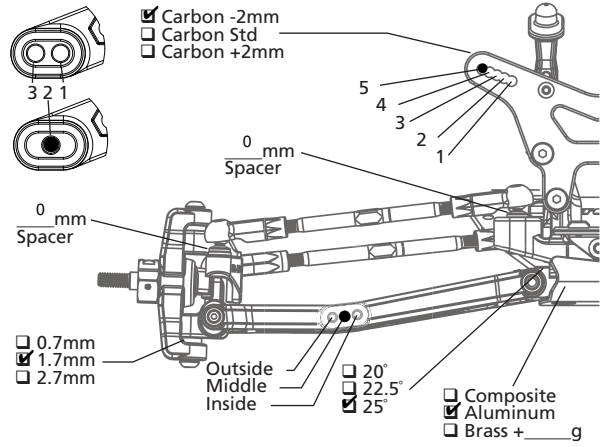
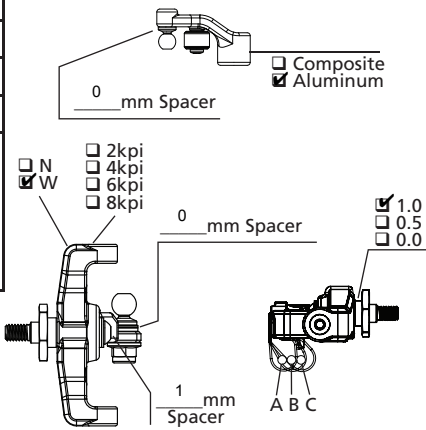
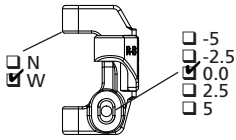
Name: Zach Eldred Date: 2-23-26 Event: Rumble In The Rockies Track: MHOR RC RACEWAY

Track Conditions

Indoor Clay Carpet Tight Smooth Hard Packed Blue Groove Wet Bite: Low Med High Other: _____
 Outdoor Dirt Astro Open Rough Loose/Loamy Dry Dusty Tread: Pin Ghost Slicks

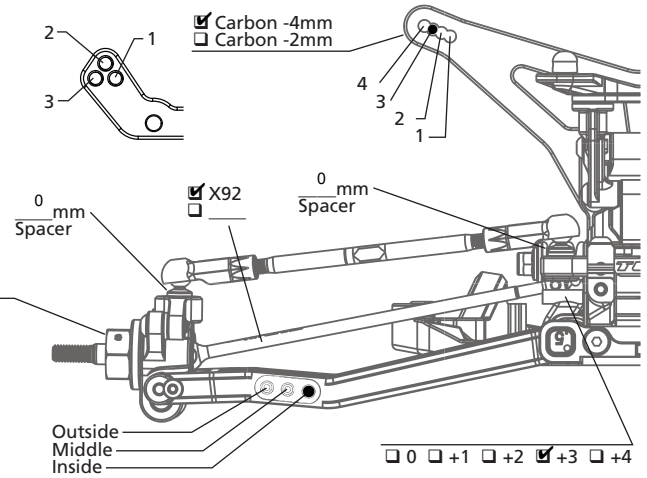
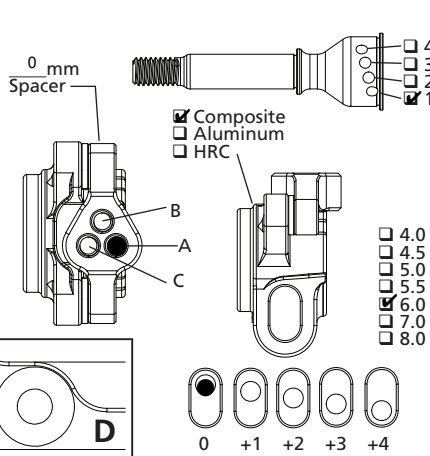
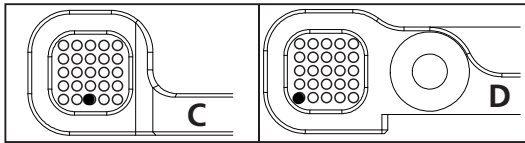
Front Suspension

Ride Height	18mm body off
Camber	-1
Toe	0
Sway Bar	1.4 mm
Notes: C Mount for ballstud vision 9g pivot tir ti front truck axels 6.0 hex Ti turnbuckles	



Rear Suspension

Ride Height	18mm body off
Camber	-1mm
Sway Bar	N/A mm
Notes: TI Turnbuckles	



Chassis

Drive Train	
Diff Type	<input checked="" type="checkbox"/> Ball Diff <input type="checkbox"/> Gear Diff
Setting/Fluid	TI DIFF BOLT STEEL LOCK NUT
Internal Gears	<input type="checkbox"/> Steel <input checked="" type="checkbox"/> Composite
Planet Gears	<input type="checkbox"/> 2 <input type="checkbox"/> 4
Slipper	<input checked="" type="checkbox"/> Slipper <input type="checkbox"/> Direct Drive

Aerodynamics	
Body	Proline Sector
Notes	

Tires		
	Front	Rear
Brand	AKA	AKA
Tread	VIOD	VIOD
Compound	SS/LW	SS/LW
Insert	RED	RED
Sauce	YELLOW LIQUID WRENCH	YELLOW LIQUID WRENCH
Wheel	PROLINE	PROLINE
Notes		

Shocks

		Front	Rear
	Oil	40	35
	Piston Holes	kit	kit
	Piston	<input type="checkbox"/> 2mm <input type="checkbox"/> 2.5mm	<input type="checkbox"/> 2mm <input type="checkbox"/> 2.5mm
	Limiters, Int	mm	mm
	Shaft Dia	<input checked="" type="checkbox"/> 3.0mm <input type="checkbox"/> 3.5mm	<input checked="" type="checkbox"/> 3.0mm <input type="checkbox"/> 3.5mm
	Limiters, Ext	0 mm	0 mm
	Stroke	mm	mm
	Eyelet	<input checked="" type="checkbox"/> Std <input type="checkbox"/> +2mm	<input checked="" type="checkbox"/> Std <input type="checkbox"/> +2mm
	Spring	AE Orange	TLR Green
Spring Cup	<input type="checkbox"/> Low <input checked="" type="checkbox"/> Mid <input type="checkbox"/> High	<input checked="" type="checkbox"/> Low <input type="checkbox"/> Mid <input type="checkbox"/> High	

Electronics

Radio	M17	ESC	MX10 G3
Servo	S6400	Thro Prof	
Battery	TRINITY 4500	Timing Adv	
Battery Wt	g	Initial Brake	
Motor	SLOT MACHINE 2 13.5	Drag Brake	0
Gearing	82 / 25	Thr/Bra EPA	100 / 88

