

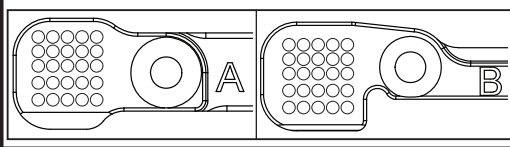
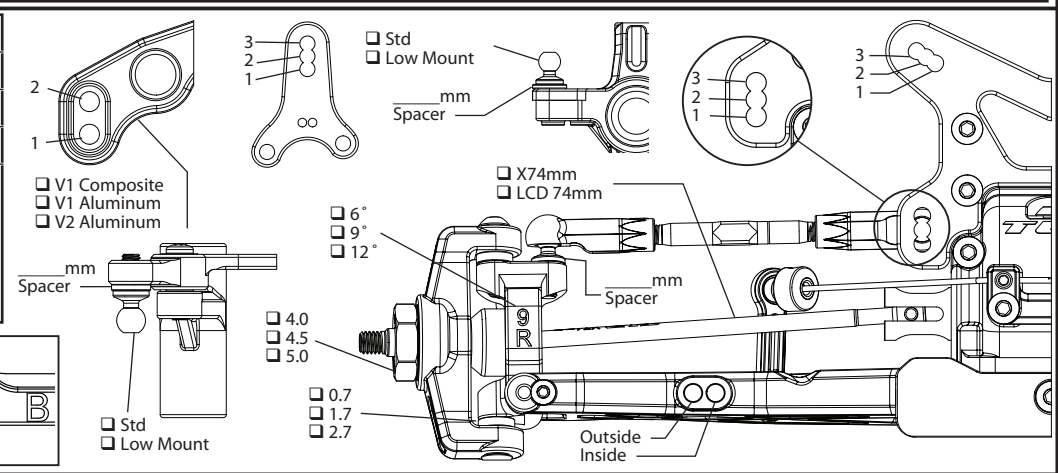
NAME: _____ DATE: _____ EVENT: _____ TRACK: _____

TRACK CONDITIONS

Indoor Clay Carpet Tight Smooth Hard Packed Blue Groove Wet Bite: Low Med High
 Outdoor Dirt Astro Open Rough Loose/Loamy Dry Dusty Tread: Pin Ghost Slick

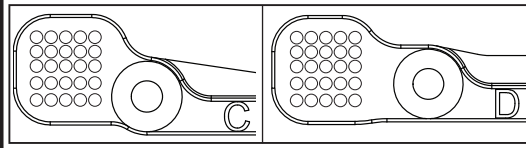
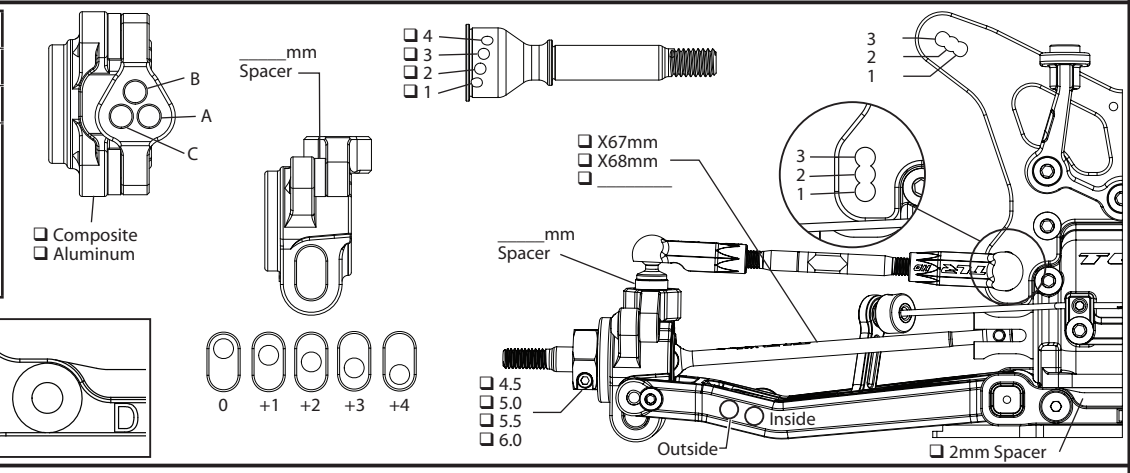
FRONT SUSPENSION

| | |
|-------------|----|
| Ride Height | mm |
| Camber | ° |
| Toe | ° |
| Sway Bar | mm |
| Notes | |



REAR SUSPENSION

| | |
|-------------|----|
| Ride Height | mm |
| Camber | ° |
| Sway Bar | mm |
| Notes | |



CHASSIS DIFFERENTIALS

| | Front | Center | Rear |
|-------------------|--|--|--|
| Fluid | | | |
| Int Gears | <input type="checkbox"/> Stl <input type="checkbox"/> Comp | <input type="checkbox"/> Stl <input type="checkbox"/> Comp | <input type="checkbox"/> Stl <input type="checkbox"/> Comp |
| Weight | g | g | g |
| Ring/Pin | <input type="checkbox"/> Stl <input type="checkbox"/> Comp | <input type="checkbox"/> Stl <input type="checkbox"/> Comp | <input type="checkbox"/> Stl <input type="checkbox"/> Comp |
| Center Diff Cover | <input type="checkbox"/> Composite | <input type="checkbox"/> Aluminum | |
| Slipper Pads | <input type="checkbox"/> Torque/Yellow | <input type="checkbox"/> Drive/Orange | |

AERODYNAMICS

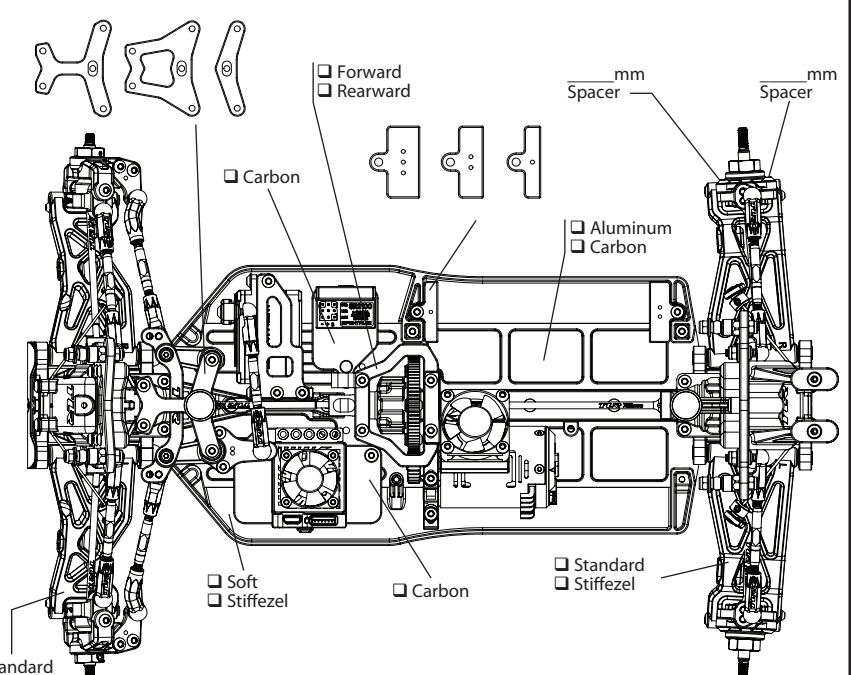
| | |
|----------|---|
| Body | |
| Fr Scoop | |
| Rr Wing | |
| Wicker | |
| Angle | ° |
| Notes | |

TIRES

| | Front | Rear |
|----------|-------|------|
| Tyre | | |
| Compound | | |
| Insert | | |
| Sauce | | |
| Wheel | | |
| Notes | | |

SHOCKS

| | Front | Rear |
|---------------|---|---|
| Shock Caps | | |
| Oil | | |
| Piston | <input type="checkbox"/> Thin | <input type="checkbox"/> Thin |
| Limiters, Int | mm | mm |
| Shaft Dia | <input type="checkbox"/> 3.0mm <input type="checkbox"/> 3.5mm | <input type="checkbox"/> 3.0mm <input type="checkbox"/> 3.5mm |
| Limiters, Ext | mm | mm |
| Stroke | mm | mm |
| Eyelet | <input type="checkbox"/> Std <input type="checkbox"/> +2mm | <input type="checkbox"/> Std <input type="checkbox"/> +2mm |
| Spring | | |
| Spring Cup | <input type="checkbox"/> Low <input type="checkbox"/> Mid <input type="checkbox"/> High | <input type="checkbox"/> Low <input type="checkbox"/> Mid <input type="checkbox"/> High |



ELECTRONICS

| | |
|------------|-----------------|
| Radio | ESC |
| Servo | Th Profile |
| Battery | Timing Adv |
| Battery Wt | g Initial Brake |
| Motor | Drag Brake |
| Gearing | Thr/Bra EPA |

Total Weight: _____ g Fr/Rr _____ % / _____ %