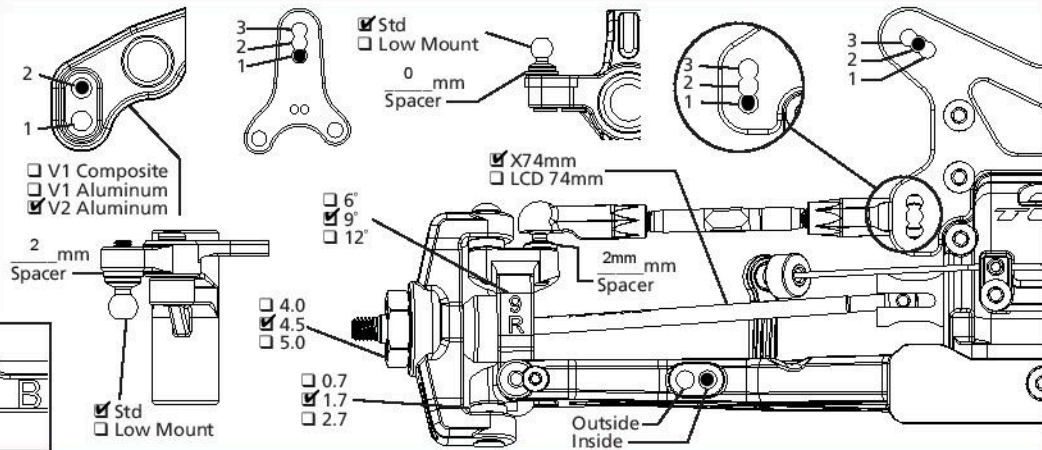


Track Conditions

<input checked="" type="checkbox"/> Indoor	<input checked="" type="checkbox"/> Clay	<input type="checkbox"/> Carpet	<input checked="" type="checkbox"/> Tight	<input checked="" type="checkbox"/> Smooth	<input checked="" type="checkbox"/> Hard Packed	<input type="checkbox"/> Blue Groove	<input type="checkbox"/> Wet	Bite: <input checked="" type="checkbox"/> Low <input checked="" type="checkbox"/> Med <input type="checkbox"/> High	Other: _____
<input type="checkbox"/> Outdoor	<input checked="" type="checkbox"/> Dirt	<input type="checkbox"/> Astro	<input type="checkbox"/> Open	<input type="checkbox"/> Rough	<input type="checkbox"/> Loose/Loamy	<input checked="" type="checkbox"/> Dry	<input checked="" type="checkbox"/> Dusty	Tread: <input type="checkbox"/> Pin <input type="checkbox"/> Ghost <input checked="" type="checkbox"/> Slicks	_____

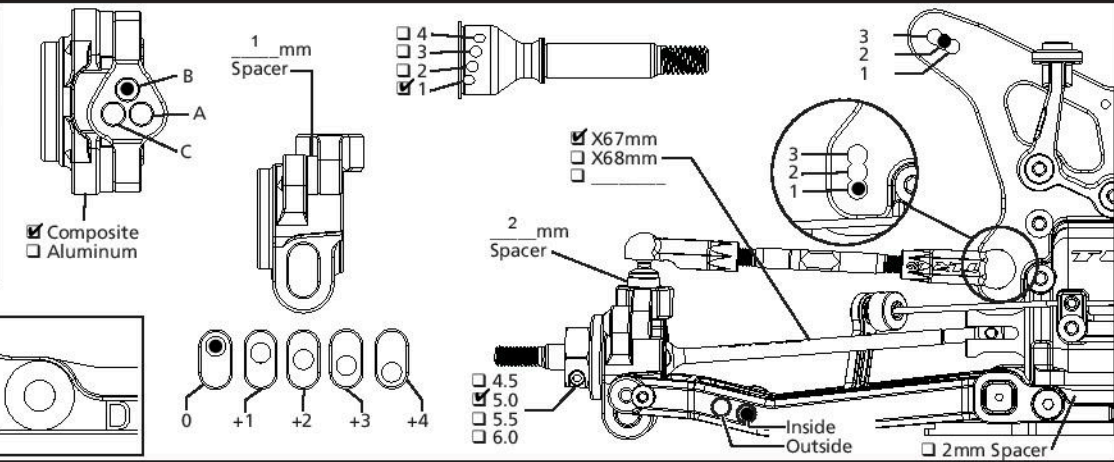
Front Suspension

Ride Height	18	mm
Camber	-1	°
Toe	+1	°
Sway Bar	1.2mm	mm
Notes: JC Fin Turnbuckles		



Rear Suspension

Ride Height	18	mm
Camber	-1	°
Sway Bar	1.6	mm
Notes:		



Chassis

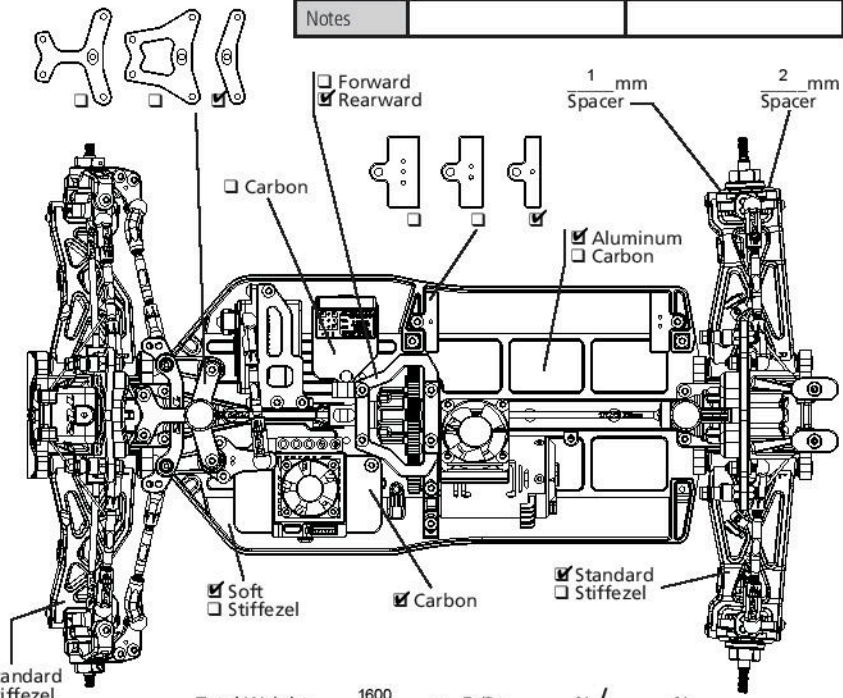
Differentials	Front	Center	Rear
Fluid	7,000	200,000	5,000
Int Gears	<input type="checkbox"/> Stl <input checked="" type="checkbox"/> Comp	<input type="checkbox"/> Stl <input checked="" type="checkbox"/> Comp	<input type="checkbox"/> Stl <input checked="" type="checkbox"/> Comp
Weight	g	g	g
Ring/Pin	<input type="checkbox"/> Stl <input checked="" type="checkbox"/> Comp	<input checked="" type="checkbox"/> Stl <input checked="" type="checkbox"/> Comp	<input type="checkbox"/> Stl <input checked="" type="checkbox"/> Comp
Center Diff Cover		<input checked="" type="checkbox"/> Composite <input type="checkbox"/> Aluminum	
Slipper Pads		<input type="checkbox"/> Torque/Yellow <input type="checkbox"/> Drive/Orange	

Aerodynamics	JConcepts F2
Body	JConcepts F2
Fr Scoop	Kit
Rr Wing	JConcepts Astro 7"
Wicker	2nd Line
Angle	4
Notes	

Tires	Front	Rear
Brand	Handout	Handout
Tread	Handout	Handout
Compound	Handout	Handout
Insert	Handout	Handout
Sauce	-	-
Wheel	JConcepts	JConcepts
Notes		

Shocks

	Front	Rear
Shock Caps	Domed	Domed
Oil	35	27.5
Piston	2x 1.7 <input checked="" type="checkbox"/> Thin	2x1.2, 2x1.6 <input checked="" type="checkbox"/> Thin
Limiter, Int	- mm	- mm
Shaft Dia	<input checked="" type="checkbox"/> 3.0mm <input type="checkbox"/> 3.5mm	<input checked="" type="checkbox"/> 3.0mm <input type="checkbox"/> 3.5mm
Limiter, Ext	- mm	- mm
Stroke	23 mm	31 mm
Eyelet	<input checked="" type="checkbox"/> Std <input type="checkbox"/> +2mm	<input checked="" type="checkbox"/> Std <input type="checkbox"/> +2mm
Spring	Core-RC Green (CR 831)	Core-RC Green (CR 809)
Spring Cup	<input type="checkbox"/> Low <input checked="" type="checkbox"/> Mid <input type="checkbox"/> High	<input checked="" type="checkbox"/> Low <input type="checkbox"/> Mid <input type="checkbox"/> High



Electronics	M17	ESC	Hobbywing G2S Pro
Radio	M17	ESC	Hobbywing G2S Pro
Servo	Protek 160	Thro Prof	
Battery	Protek 4100LCG	Timing Adv	
Battery Wt	g	Initial Brake	
Motor	Hobbywing 5.5T	Drag Brake	
Gearing	18 / 81	Thr/Bra EPA	/

Total Weight: 1600 g Fr/Rr _____ % / _____ %