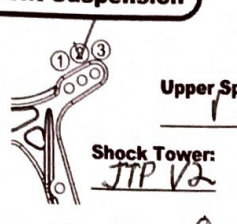


# ULTIMA RB6.6 Setup Sheet

**KYOSHO**  
THE #1 BEST RADIO CONTROL MODELS

Name: Enzo Albertoni Date: 3/11/18 Track / City: Beach RC, South Carolina Event: Palmetto Classic

## Front Suspension



**Upper Spacer:** \_\_\_\_\_ mm

**Shock Tower:** JTP V2

Toe:  In  Out 0

Toe Rod: \_\_\_\_\_

**Front Bulkhead Weight Placement:**

None

Bulkhead Inside \_\_\_\_\_ oz \_\_\_\_\_ g

On the skid plate \_\_\_\_\_ oz \_\_\_\_\_ g (\*1oz=28g)

**4.8mm Ball Stud:**

UM128 (Std)

UMW508 (+2mm High Mount)

**AI Steering Support:**

None

UMW724

**4.8mm Ball Stud:**

LA246 (-1mm Low Mount)

97050M (STD)

**Ackermann Steer Spacer:** \_\_\_\_\_ mm

UMW701 Aluminum ST Plate

UMW702 Aluminum Crank Arm

**Wheel Hub:**

UM569/Std

UM506

**Caster Block Position:**

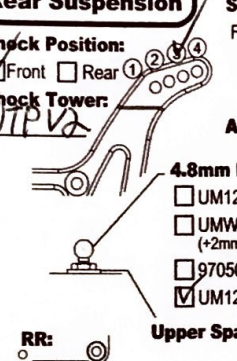
In (Wide/Std)

Out (Narrow)

**Wheelbase:** F 0 mm R 1 mm

**Comments:** \_\_\_\_\_

## Rear Suspension



**Shock Position:**

Front  Rear

**Shock Tower:** JTP V2

**4.8mm Ball Stud:**

UM129

UMW508 (+2mm High Mount)

97050M

UM128 (Std)

**Upper Spacer:** 1 mm

**RR:** \_\_\_\_\_

**Mid:** \_\_\_\_\_

**Susp Holder Spacer:**

F  0.5  1.0  None

R  0.5  1.0  None

**Anti-Squat:** 1.5

**Universal Swing Shaft:** 65.5

**Upper Spacer:** \_\_\_\_\_ mm

**Wheelbase:** F 2 mm R 2 mm

**Wheelbase:** F \_\_\_\_\_ mm R \_\_\_\_\_ mm

**Comments:** Middle hole on rear JTP V2 tower

**Rear Hub Carrier:**

0° Type-B (UM519)

0° Type-B2 (UM519-2)

0° Alu (UMW704-0)

0.5° Alu (UMW704-05)

1° Alu (UMW704-1)

**Drive Hub:**

4mm (TFW113)

4.5mm (LAW30GM/Std.)

5.2mm (UMW523)

**Axle Spacer:**

Out \_\_\_\_\_ mm

In \_\_\_\_\_ mm

**Sway Bar:**  None


**Differential:**

Gear: \_\_\_\_\_

Ball: \_\_\_\_\_

## Shocks

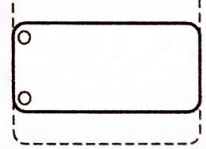
	Front	Rear
Piston:	<u>2x1.6</u>	<u>2x1.6</u>
Oil:	# <u>32.5wt</u>	# <u>27.5wt</u>
Spring:	<u>Red</u>	<u>Gold</u>
Limiters:	In _____ mm	In _____ mm
	Out _____ mm	Out _____ mm
Length (A):	<u>20.3</u> mm	<u>27.8</u> mm
O-Ring:	_____	_____
Shock Top Type:	<input checked="" type="checkbox"/> Alu (UM719/Std)	<input type="checkbox"/> UM753-1
Ball End Type:	Front <input checked="" type="checkbox"/> S <input type="checkbox"/> M <input type="checkbox"/> L	Rear <input type="checkbox"/> S <input checked="" type="checkbox"/> M <input type="checkbox"/> L



Amo - V4.1

## Battery placement

Back



## Transmission

Rear Motor

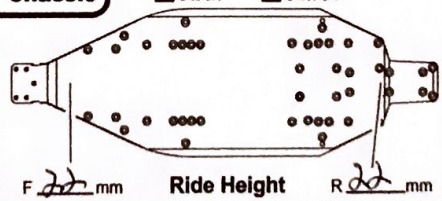
Mid-Ship 3 Gear

Mid-Ship 4 Gear

Mid-Ship Laydown

## Chassis

Stock  UM731



F 22 mm Ride Height R 22 mm

## Battery Type

Straight

Separate

Short

Type Voodoo 5000

## Track Condition

Smooth  Sandy

Bumpy  Soft Dirt

Low Traction  Grass

Med. Traction  Blue Groove

High Traction  Clay

Wet  Dusty

Dry  \_\_\_\_\_

## Wing

Blast-S  Narrow

Blast-L  Wide

Step-S  Wing Angle:  4°

Step-M  7°

Step-L  10°

Step 2.0

Step 3.0

Straight Lip: Mid

Round

## Tire

	Front	Rear
Tire	<u>PL Electron MC</u>	<u>PL Position MC</u>
Insert	<u>Std</u>	<u>Std</u>
Wheel	<u>Kyo</u>	<u>Kyo</u>

## Other

Motor: REDS 7.5T

ESC: REDS

Ratio: 21/76