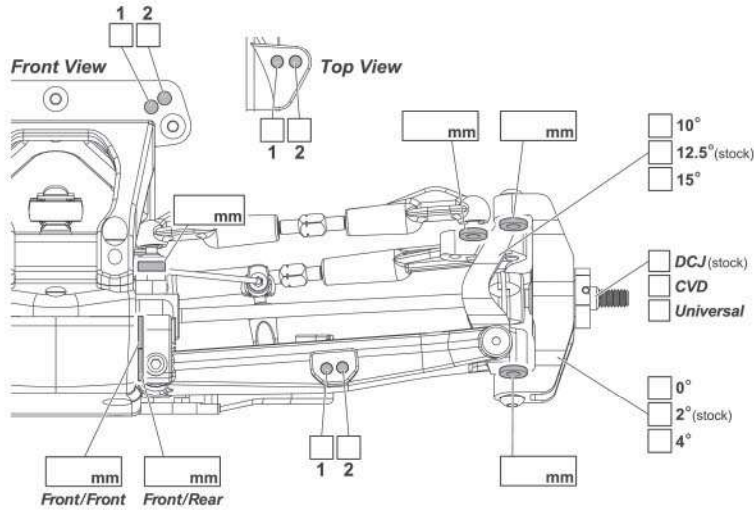
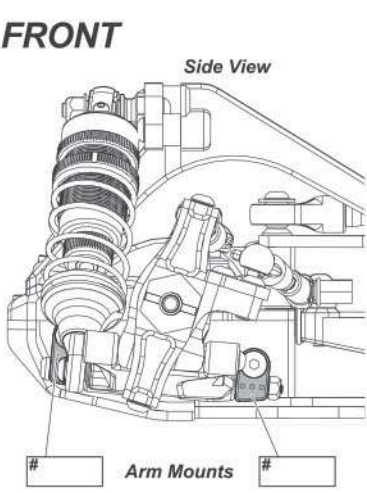


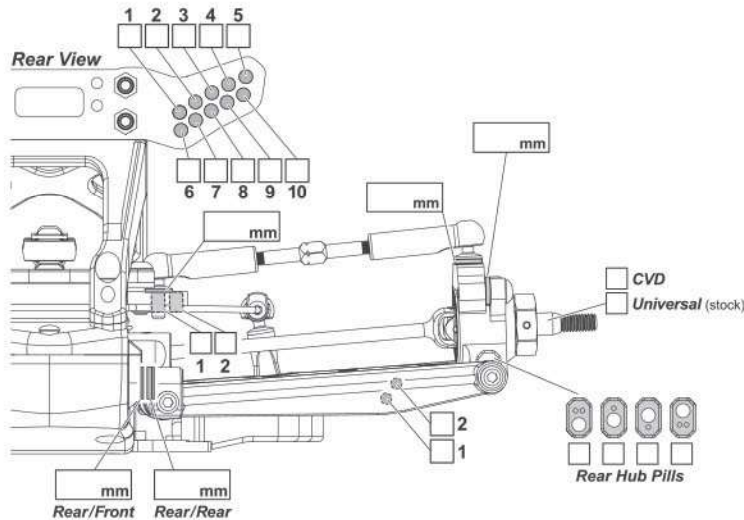
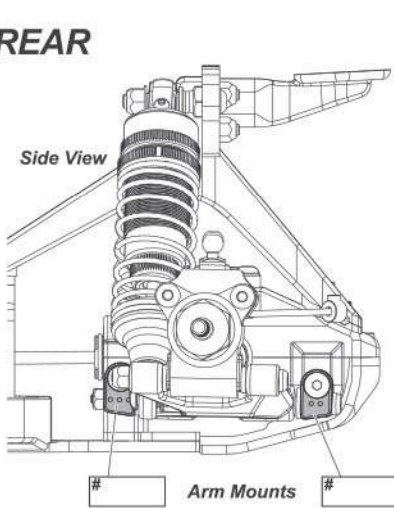
Driver _____ **Date** _____ **Track** _____ **Event** _____
 Composition: Astro turf Clay Carpet Dirt Grass Wood Other: _____
 Traction: Low Medium High Dry
Track Condition Other: _____ Surface: Bumpy Smooth Wet

FRONT

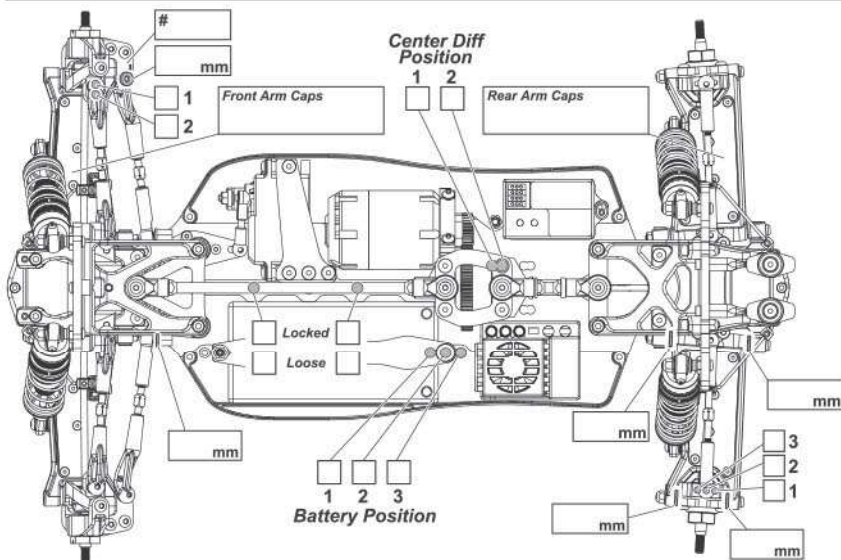


Front Shocks	
Oil wt.	_____
Piston	_____
Bladder	_____
Spring	_____
Notes	_____
Ride Height	_____ mm
Droop	_____ mm
Camber Angle	_____ °
Toe Angle	_____ °
Sway Bar	_____ mm
Shock Length	_____ mm

REAR



Rear Shocks	
Oil wt.	_____
Piston	_____
Bladder	_____
Spring	_____
Notes	_____
Ride Height	_____ mm
Droop	_____ mm
Camber Angle	_____ °
Toe Angle	_____ °
Sway Bar	_____ mm
Shock Length	_____ mm



Motor	
Brand / Model	_____
Spur gear	_____
Pinion Gear	_____

Battery	
Brand / Model	_____

ESC	
Brand / Model	_____

Rear Toe-In		
R/F	R/R	Toe-in
0.5mm	0.5mm	2.0°
0.5mm	1.0mm	2.5°
0.5mm	1.5mm	3.0°
0.5mm	2.0mm	3.5°

Front Tires	Rear Tires
Brand / Model	_____
Compound	_____
Insert	_____
Wheel	_____

Diff Oil		
Front	Center	Rear
Brand	_____	_____
Oil wt.	_____	_____

Gear Ratio	
Spur Gear	_____
Pinion Gear	_____

$\frac{\text{Spur Gear}}{\text{Pinion Gear}} \times 3.3077 = \text{_____}$