

Driver **Erwan Labarhe**

Date **January 23**

Track **ERMCArena**

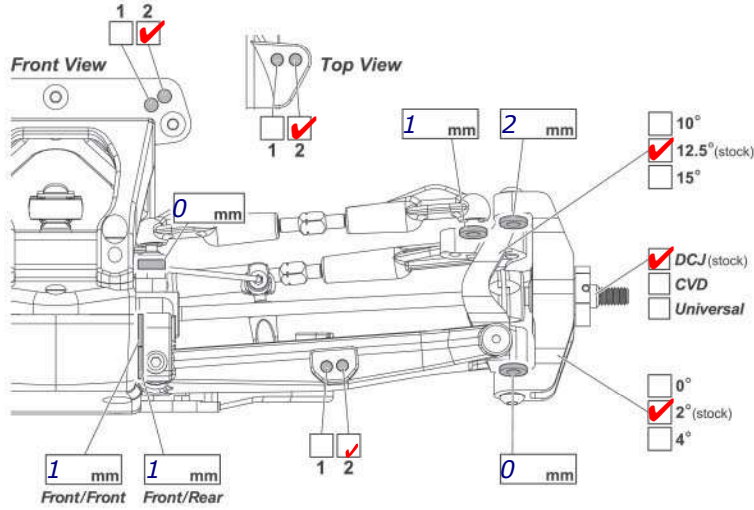
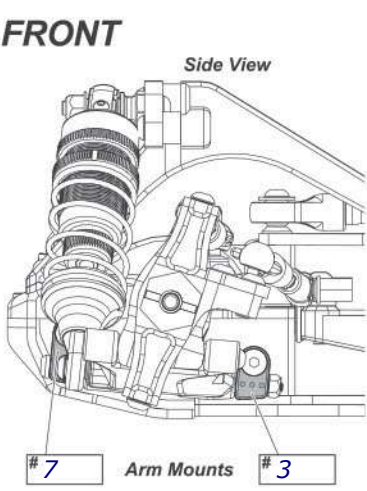
Event **SIORC M3 2023**

Composition: Astroturf Clay Carpet Dirt Grass Wood
Other:

Traction: Low Medium High Dry
 Surface: Bumpy Smooth Wet

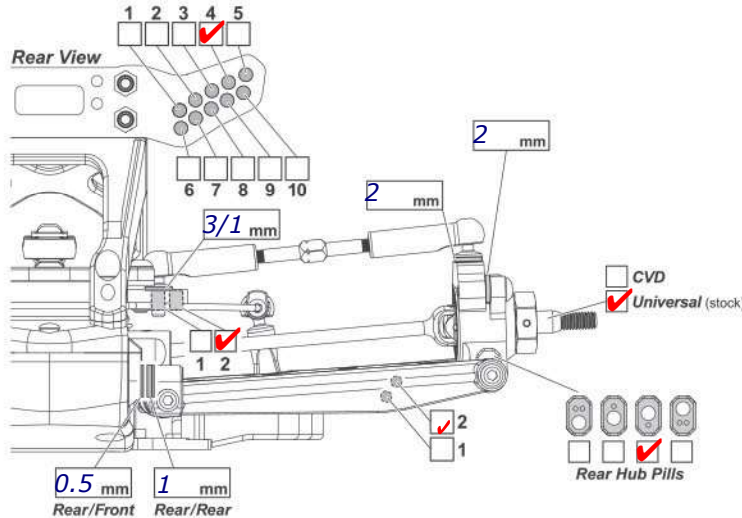
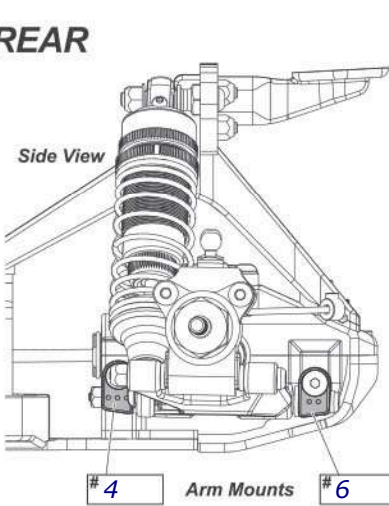
Track Condition

FRONT

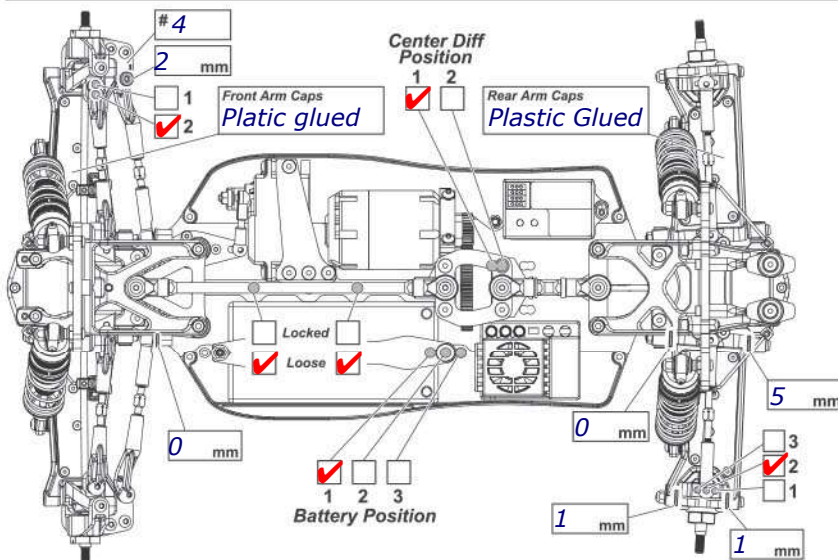


| Front Shocks | |
|--------------|----------|
| Oil wt. | 75 |
| Piston | 2x1.6 |
| Bladder | Emulsion |
| Spring | 70 |
| Notes | |
| Ride Height | 12 mm |
| Droop | mm |
| Camber Angle | 2 ° |
| Toe Angle | 3 ° |
| Sway Bar | 2.0 mm |
| Shock Length | 76 mm |

REAR



| Rear Shocks | |
|--------------|----------|
| Oil wt. | 40 |
| Piston | 2x1.7 |
| Bladder | Emulsion |
| Spring | 35 |
| Notes | |
| Ride Height | 12 mm |
| Droop | mm |
| Camber Angle | 2 ° |
| Toe Angle | ° |
| Sway Bar | 1.4 mm |
| Shock Length | 91 mm |



| Motor | |
|---------------|----------------|
| Brand / Model | Team-Orion 5.5 |
| Spur gear | 72 |
| Pinion Gear | 21 |

| Battery | |
|---------------|--------------------|
| Brand / Model | Team-Orion HV 4200 |

| ESC | |
|---------------|------------|
| Brand / Model | Team-Orion |

| Rear Toe-In | | |
|-------------|-------|--------|
| R/F | R/R | Toe-in |
| 0.5mm | 0.5mm | 2.0° |
| 0.5mm | 1.0mm | 2.5° |
| 0.5mm | 1.5mm | 3.0° |
| 0.5mm | 2.0mm | 3.5° |

| Front Tires | Rear Tires |
|---------------|-------------|
| Brand / Model | Cactus |
| Compound | Yellow |
| Insert | SIORC Legal |
| Wheel | SIORC Legal |

| Diff Oil | | | |
|----------|-------|--------|------|
| | Front | Center | Rear |
| Brand | XTR | XTR | XTR |
| Oil wt. | 30 | 200 | 15 |

| Gear Ratio | |
|-------------|-----------------------------|
| Spur Gear | x 3.3077 = 11.3406857142857 |
| Pinion Gear | |