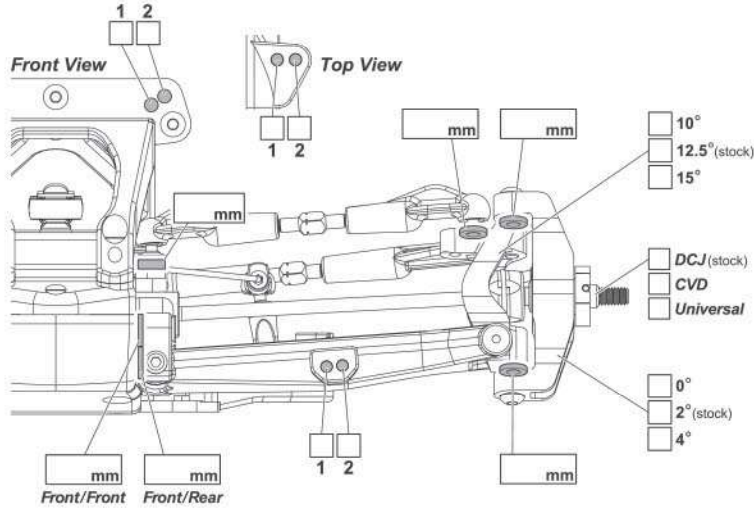
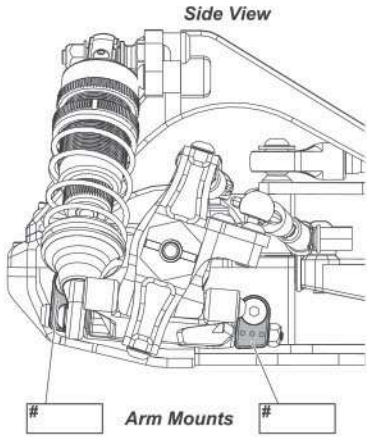


**Driver** \_\_\_\_\_ **Date** \_\_\_\_\_ **Track** \_\_\_\_\_ **Event** \_\_\_\_\_  
 Composition:  AstroTurf  Clay  Carpet  Dirt  Grass  Wood  Other: \_\_\_\_\_  
 Traction:  Low  Medium  High  Dry  
 Surface:  Bumpy  Smooth  Wet

## FRONT



### Front Shocks

Oil wt. \_\_\_\_\_

Piston \_\_\_\_\_

Bladder \_\_\_\_\_

Spring \_\_\_\_\_

Notes \_\_\_\_\_

Ride Height \_\_\_\_\_ mm

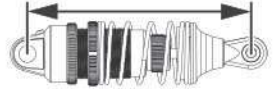
Droop \_\_\_\_\_ mm

Camber Angle \_\_\_\_\_ °

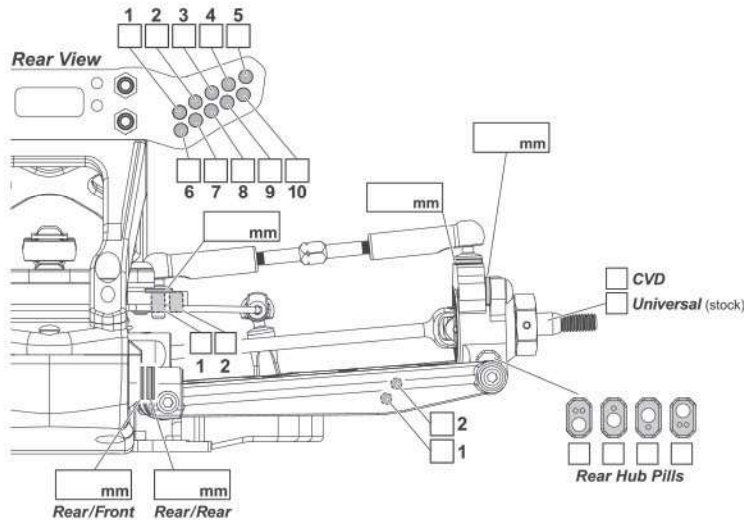
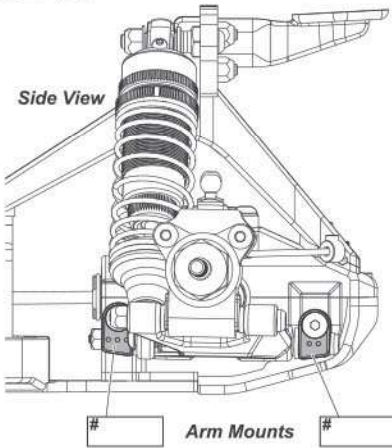
Toe Angle \_\_\_\_\_ °

Sway Bar \_\_\_\_\_ mm

Shock Length \_\_\_\_\_ mm



## REAR



### Rear Shocks

Oil wt. \_\_\_\_\_

Piston \_\_\_\_\_

Bladder \_\_\_\_\_

Spring \_\_\_\_\_

Notes \_\_\_\_\_

Ride Height \_\_\_\_\_ mm

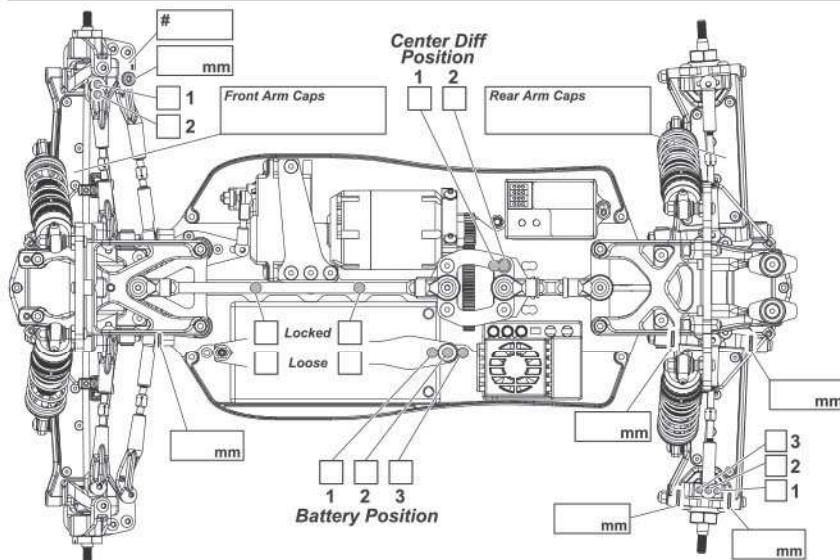
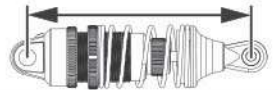
Droop \_\_\_\_\_ mm

Camber Angle \_\_\_\_\_ °

Toe Angle \_\_\_\_\_ °

Sway Bar \_\_\_\_\_ mm

Shock Length \_\_\_\_\_ mm



**Motor**

Brand / Model \_\_\_\_\_

Spur gear \_\_\_\_\_ Pinion Gear \_\_\_\_\_

**Battery**

Brand / Model \_\_\_\_\_

**ESC**

Brand / Model \_\_\_\_\_

**Rear Toe-In**

R/F	R/R	Toe-in
0.5mm	0.5mm	2.0°
0.5mm	1.0mm	2.5°
0.5mm	1.5mm	3.0°
0.5mm	2.0mm	3.5°

Front Tires	Rear Tires
Brand / Model _____	_____
Compound _____	_____
Insert _____	_____
Wheel _____	_____

**Diff Oil**

	Front	Center	Rear
Brand _____	_____	_____	_____
Oil wt. _____	_____	_____	_____

**Gear Ratio**

Spur Gear \_\_\_\_\_ x 3.3077 = \_\_\_\_\_

Pinion Gear \_\_\_\_\_