

X3 Evo e



1/8 ELECTRIC POWERED BUGGY PRO KIT



INSTRUCTION MANUAL

組立說明書

Accessories

- Light Weight Front, Rear And Center Differentials.
- Complete Set Of Light Weight Out Drivers.
- 7075 CNC 5mm Aluminum Front And Rear Shock Towers.
- Full Travel Front And Rear Suspension.
- Redesign Steering System With Ackerman.
- Solid Constructed Arms And Camber Links.
- 7075 3mm Lightened Chassis With Countersunk Screws.
- Special Capped Center Driveline.
- Small Front And Rear Gear Case With Sway Bar Mount.
- Complete High Performance Bearing Set.
- Composite Stone Guards And Rear Mud Deflectors.
- High Impact Down Force Wing.
- Clear Cab Forward Body For Excellent Handling.
- 7075 CNC C Hub. 12 Degree.
- 7075 CNC Rear Hubs.
- Covered Receiver Box And The Electronics Mounts are Removable For Ease Of Cleaning The Car.
- CNC Machined Hardened 13 Tooth Bevel Pinion Gear.
- CNC Machined Hardened 43tooth Bevel Gear.
- Two Piece Set CNC Aluminum Motor Mount.
- New Wing Spoiler Body Shell.

THIS IS NOT A TOY !

- DO NOT USE WITH CHILDREN YOUNGER THAN 16 YEARS.
- ENGINE/MOTOR, ELECTRONICS/RADIO INSTRUCTIONS MUST READ BEFORE START.

本產品非玩具

- 16歲以下或兒童請勿玩用。
- 在使用之前請仔細閱讀引擎/馬達、電子裝配/遙控器的說明書。

圖示產品有可能為試樣品,包裝內容以實際出貨為準。規格配備內容更改恕不另行通知。
KIT IN BOX MAY DIFFER FROM PICTURE SHOWN. ALL SPECIFICATIONS SUBJECT TO CHANGE WITHOUT PRIOR NOTIC.

mit
MADE IN TAIWAN

• OVERVIEW / 產品概要	01
• PARTS REFERENCE 1 / 零件圖 1	02
• PARTS REFERENCE 2 / 零件圖 2	03
• PARTS REFERENCE 3 / 零件圖 3	04
• INSTALLATION INSTRUCTION / 組裝說明	05~30
• TRIES SETTING GUIDE (ENGLISH) / 輪胎角度設定 (英文)	31
• TRIES SETTING GUIDE (CHINESE) / 輪胎角度設定 (中文)	32
• SET UP SHEET / 設定表	33
• SPARE PARTS LIST (ENGLISH) / 零件列表 (英文)	34
• SPARE PARTS LIST (CHINESE) / 零件列表 (中文)	35

WARNINGS 警告

This product is not intended for those under 14 years of age without proper adult supervision. The product is not a toy. It is a precision machine requiring proper assembly and setup to avoid accidents and it is the responsibility of the owner to operate this product in a safe manner as it can cause serious personal injury and damage to property due to carelessness or misuse.

若沒有適當的成人監督，該產品不適合未滿14歲的孩童使用。該產品不是玩具，這是一台精密的機器，需要正確的組裝，以避免事故的發生。以正確的方式操作此產品是使用者的責任，因為它可能因為粗心或是錯誤的使用方式而導致嚴重的個人傷害。

Operate this product within your ability. Do not operate under tired condition.

在使用者的能力範圍內操作，請勿在疲累的狀況下使用操作。

Choose an appropriate operating site consisting of flat, smooth ground, and clear open field. Do not operate near buildings, high voltage cable lines, or trees to ensure safety operation. Operate in safe area only, away from other people. RC models are prone to accidents, failures, and crashes due to a variety of reasons including, lack of maintenance, user error, and radio interference. Users are responsible for their actions and damage or injury occurring during the operation.

選擇平坦、乾淨滑順的開放空地。請勿在大樓附近、高壓電線附近或樹木附近操作以確保安全。請在安全的地方使用，遠離人群。RC產品可以因為多種不同原因而導致意外與傷害發生，例如：缺少保養，使用者操作錯誤或是遙控器干擾。而使用者也必須為他們在操作過程中對他人所產生的傷害負責。

You should complete a successful pre-run check of your radio equipment and model prior to each run.

使用者必須落實事前檢查，包括遙控器設備與車體。

WARNING NOTES 警告事項

1. Don't drive your model car when it raining or thundering to keep safety.

為了確保安全，請不要在下雨天或是打雷時使用模型車。

2. KEEP your model car in dry normal temperature condition, and keep away from water.

請讓你的車子保持在乾燥的常溫環境，而且須遠離積水地區。

3. Please do not use other optional parts to install our model car if you can not make sure it can match your car or not. And please do don't over load or or use it to do breaking local law.

假使你並不確定其他車種的改裝品是否合用本型號，請不要使用其他車種的改裝品安裝在車子上。而且請不要過載，也請不要觸犯當地法律。

4. Please keep car away from fire as it was mostly made by plastic and electric material.

請讓車子遠離火源，因為它大部份是由塑膠和電子零件所製成。

If you are in doubt of your ability to operate the model, we strongly recommend that you seek assistance from experienced RC users or join your local modeling club to gain the required knowledge and skill. As the manufacture and distribution, we assume no liability for the use of this product.

如果你對自己的操作能力有所質疑，我們強烈建議您尋求有豐富RC經驗人的協助，或是加入當地車隊可以增加相關知識與技巧。做為一個製造商或經銷商，我們無法設定使用者的能力高低。

SYMBOLS USED THROUGHOUT THE INSTRUCTION MANUAL

說明書附註使用標示

	Parts Bag Used 使用零件包裝袋		Degrease With Motor Spray 使用清潔噴劑		Do Not Over Tighten 請勿鎖緊物件		Tighten 鎖緊物件		Ensure Free Movement 確定可自由活動		Contact Adhesive 使用強力接著劑
	Apply Screw Cement 使用螺絲膠		Apply Oil 塗上潤滑油		Apply Lubricant 塗上潤滑黃油		1:1 True-To-Scale 1:1原寸圖		Time 時間		Pay attention here 注意事項

INCLUDED ITEMS

附帶用品



7000wtg 5000wtg 2000 wtg
差速器砂油



45wtg 55 wtg
避震器砂油



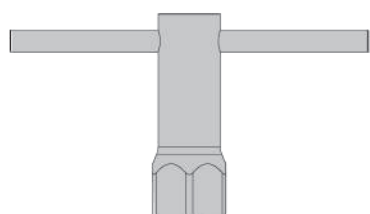
1.5mm Allen Wrench
1.5mm 內六角板手



2mm Allen Wrench
2mm 內六角板手



2.5mm Allen Wrench
2.5mm 內六角板手



17mm Wheel Nut Tool
輪胎除六角板手



Turnbuckle Wrench
六角板手

TOOLS NOT INCLUDED IN THE KIT

需使用之工具 (另購)



Body Reamer
車殼鑽孔器



Curved Scissors
彎頭剪刀



Needle Nosed Pliers
尖嘴鉗



Screw Drivers
螺絲起子



Screw Cement
螺絲膠



Cutter
斜口鉗



Craft Knife
美工刀



Precision Caliper
游標卡尺



Spray Paint
模型用噴漆



Instant Cement
3秒瞬間膠水

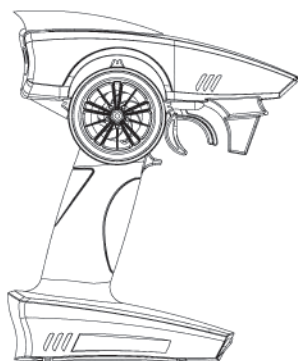


Gear Grease
齒輪潤滑油膏

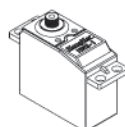
Equipment Needed

另購品

Transmitter
遙控器



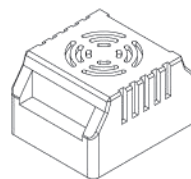
UM-3 Batteries
(8pcs)
3號乾電池 (8顆)



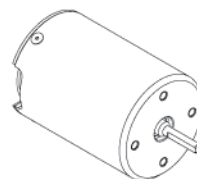
Servo
伺服器



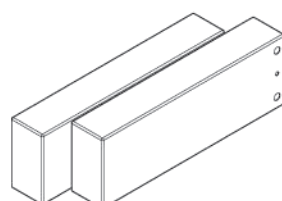
Receiver
接收器



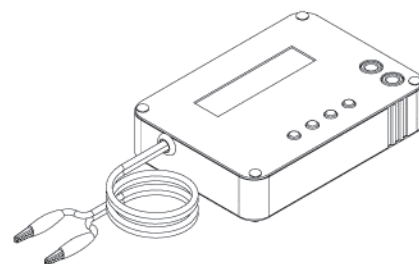
Brushless Electric
Speed Controller
無刷式電子變速器



Brushless Motor
無刷馬達

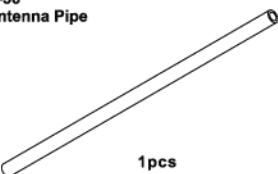


7.4V Li-Po Battery (Hard Case)
7.4V 鋰充電電池組(硬殼)



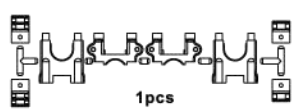
Li-Po Battery Charger
鋰電池專用充電器

A-56
Antenna Pipe



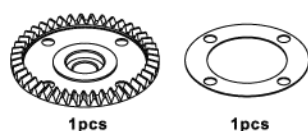
1pcs

XT-31
Center Diff. Mount



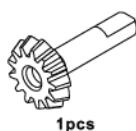
1pcs

X3-01
Spiral Bevel Gear 43T




1pcs 1pcs

X3-02
Spiral Bevel Gear 13T



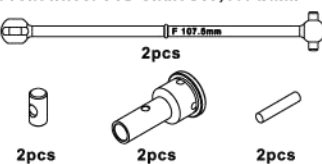
1pcs

X3-03
Diff. Gear 10Tx4, 20Tx2, 0.15mmx8



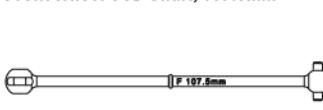
2pcs 4pcs 4pcs

X3-04
Front wheel CVD Shaft Set, 107.5mm



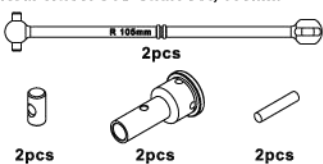
2pcs 2pcs 2pcs 2pcs

X3-04A
Front Wheel CVD Shaft, 107.5mm




2pcs

X3-05
Rear Wheel CVD Shaft Set, 105mm




2pcs 2pcs 2pcs 2pcs

X3-05A
Rear Wheel CVD Shaft, 105mm




2pcs

X3-06
Drive Shaft Insert / 2.5 x 12.8 Pin



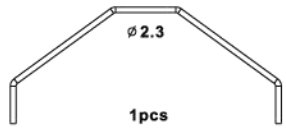
4pcs 4pcs

X3-07
CVD Wheel Axle



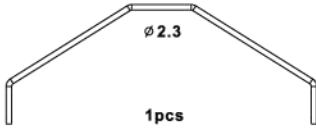
2pcs

X3-08
Front Anti-roll Bar 2.3mm, Black



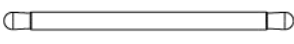
1pcs

X3-09
Rear Anti-roll Bar 2.3mm, Black



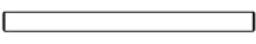
1pcs

X3-12
4 x 66mm Arm Shaft




2pcs

X3-13
3.5 x 45.8 Rear Upright Shaft




2pcs

X3-14
Steering King Pin




4pcs

X3-15
Front Arm Bushing



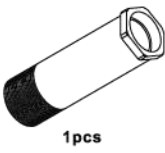
4pcs

X3-16
Servo Saver Post




2pcs

X3-17
Alum. Servo Saver Tube




1pcs

X3-18
Servo Saver Spring



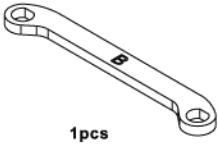
1pcs

X3-19
Servo Saver Adjuster, 12 x 1.7 O-Ring




1pcs 1pcs

X3-20
Servo Saver Connecting Plate, "B" Type




1pcs

X3-21
Servo Saver Screw




2pcs 2pcs

X3-22
Servo Saver Bushing



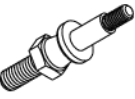
2pcs

X3-29-BK
16mm Alum. Shock Cap




4pcs

X3-30
Shock Mount




4pcs

X3-31
7x8.5mm Ball & Socket




4pcs

X3-32
7x12mm Ball & Socket




4pcs

X3-34
2.5x11.8 Pins



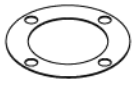
10pcs

X3-35
2.5x12.8 Pin




10pcs

X3-38
Diff Gasket 31x20x0.3



3pcs

X3-40
4x10mm Set Screw, Round Head



4pcs

X3-43
Diff. Case (F&R)

1pcs 1pcs

X3-44
Gear Case

1pcs

X3-45
Front Lower Arms L&R

1pcs

X3-46
Suspension Eccentric Bushing

1pcs

X3-47
Steering Knuckle Arm L,R

1pcs

X3-49
Body Post/Center Brace

1pcs

X3-50
Plastic Rod End

1pcs

X3-51
Servo Saver Set/Front Top Deck

1pcs

X3-52
Front Bumper/Rear Mud Deflectors

1pcs

X3-53
Rear Lower Arms L&R

1pcs

X3-54
Rear Hub Carrier L&R

1pcs

X3-55
Rear Wing Mount

1pcs

X3-61
8x14 Ball Bearing

4pcs

X3-62
13x20 Ball Bearing

4pcs

X3S-04
Diff. Cap Joint (Lightweight)

2pcs

X3S-06
CNC 7075 Suspension Holder,FF

1pcs

X3S-07
CNC 7075 Suspension Holder,FR

1pcs

X3S-10
Center CVD Cap Joint

1pcs

X3S-14
Alum. Rear Hub Carrier L,R

1pcs 1pcs

4mm 8x16x5 13x20x4

4pcs 2pcs 2pcs

X3S-17D
46T Spur Gear (Plastic)

1pcs

X3S-20
Alum. CNC C Hub (12`) L,R

1pcs 1pcs

3x18

2pcs 2pcs

X3GT-03A
CNC 7075 Suspension Holder,RF

1pcs

X3GT-03B
CNC 7075 Suspension Holder,RR

1pcs

X3.6-04
CNC 7075-5mm Front Shock Tower

1pcs

X3.6-05
CNC 7075-5mm Rear Shock Tower

1pcs

X3.6-07
4x67.6mm Arms Shaft

2pcs

X3.6-19
Side Guard L,R

1pcs

X3.6-20
EP PC Body,Clear

1pcs

X3.6-21
CNC 7075-3mm Lightweight Chassis

1pcs

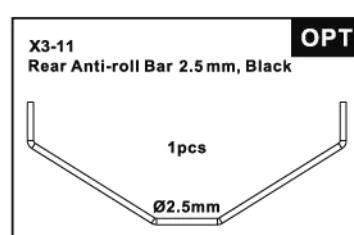
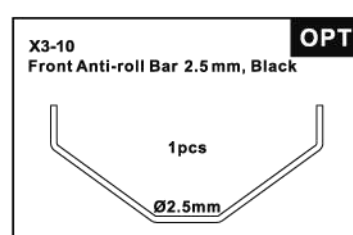
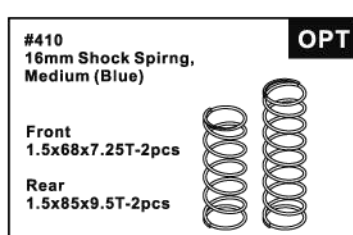
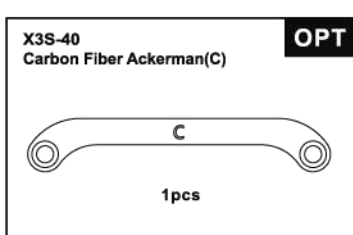
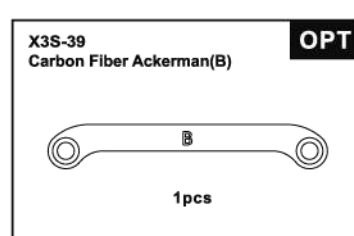
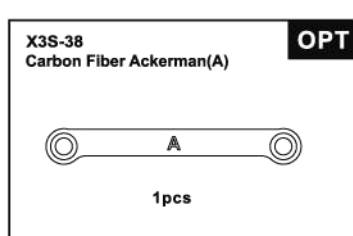
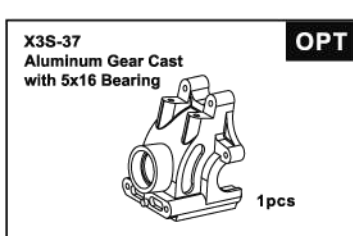
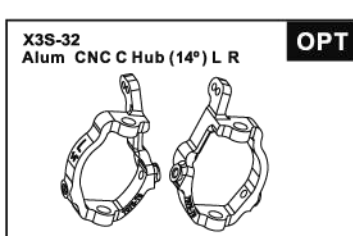
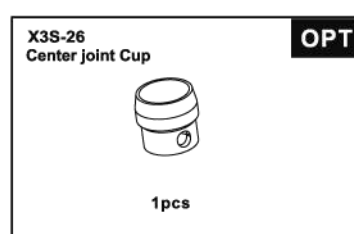
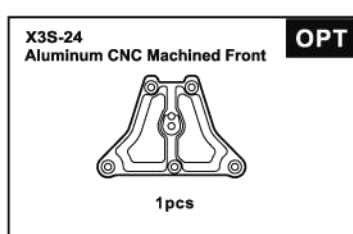
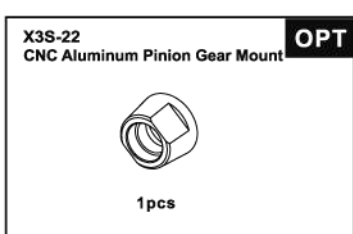
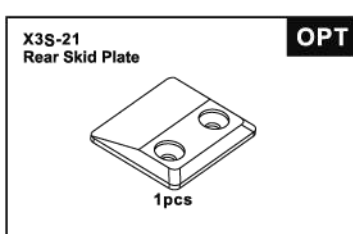
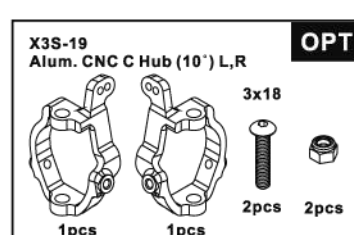
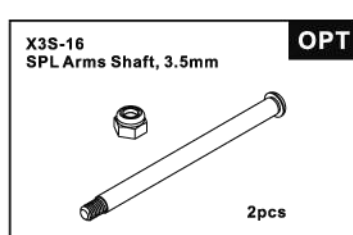
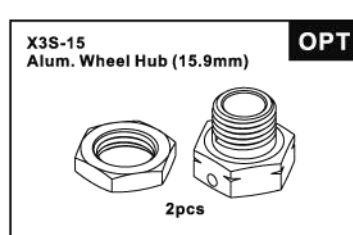
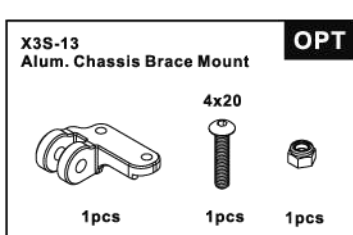
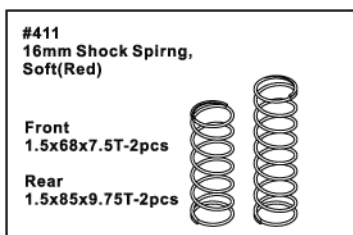
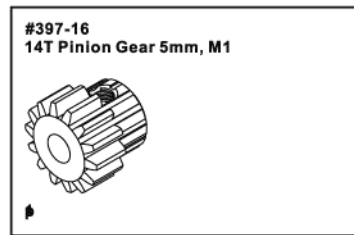
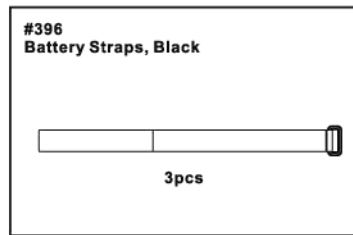
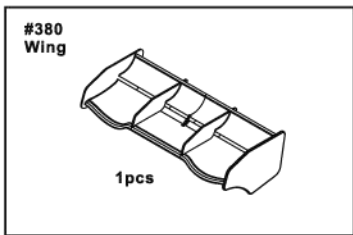
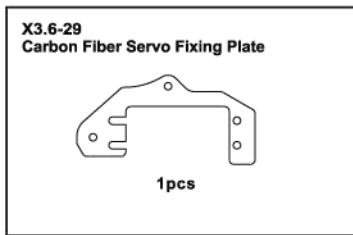
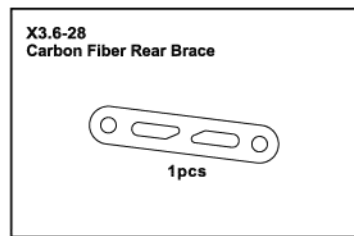
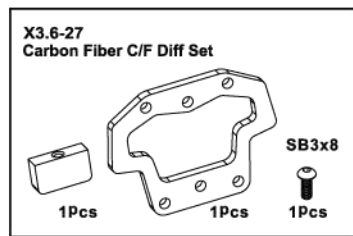
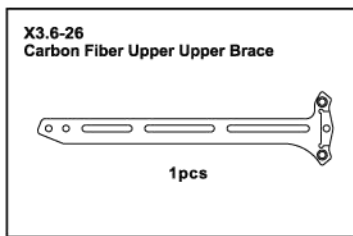
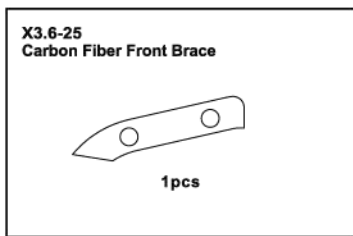
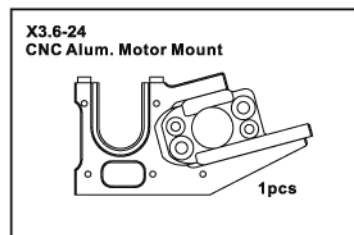
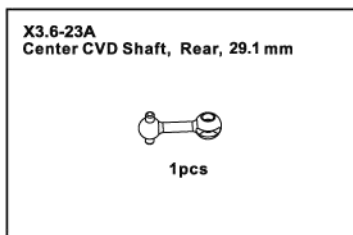
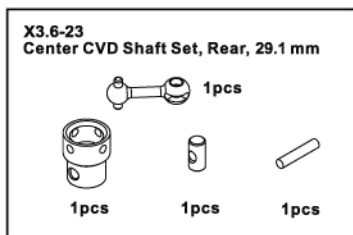
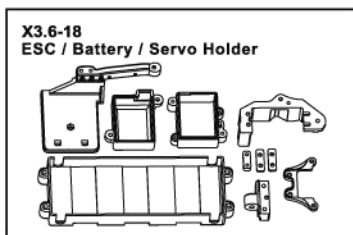
X3.6-22
Center CVD Shaft Set, Front, 186.6 mm

1pcs

1pcs 1pcs 1pcs

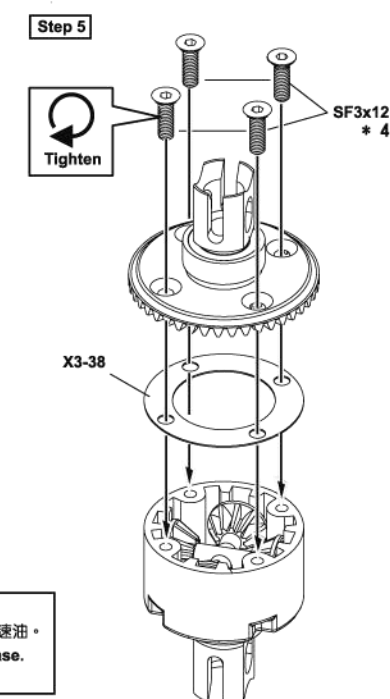
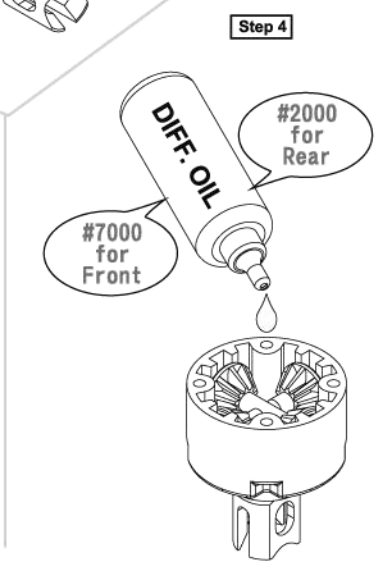
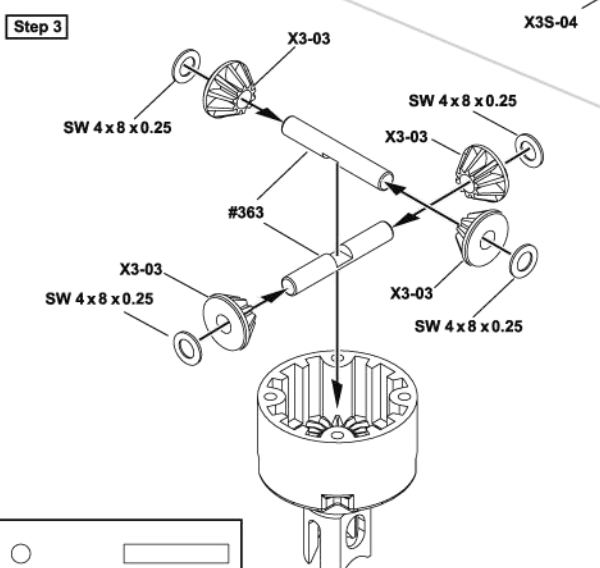
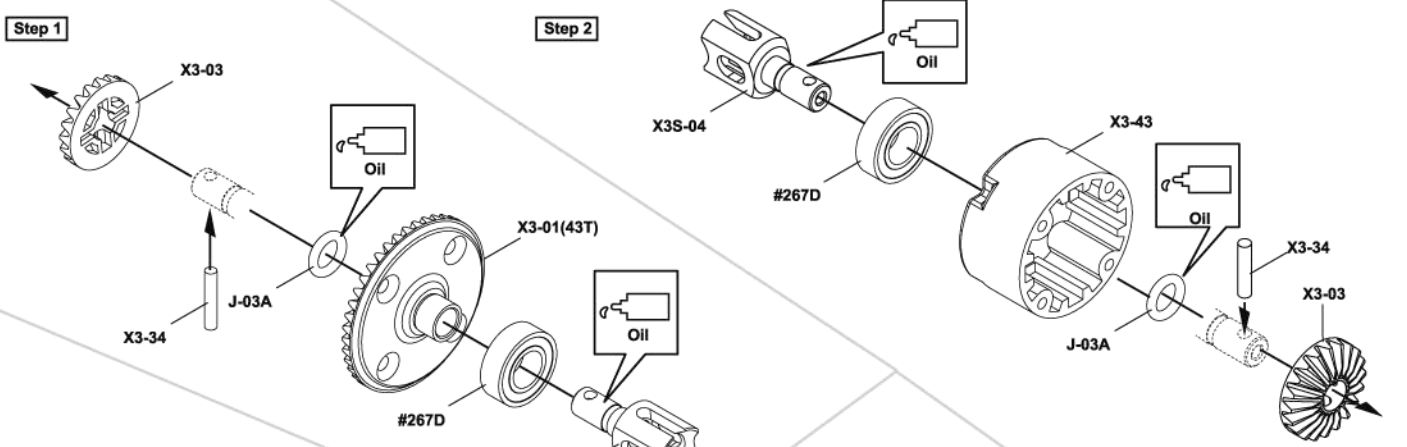
X3.6-22A
Center CVD Shaft, Front , 186.6 mm

1pcs



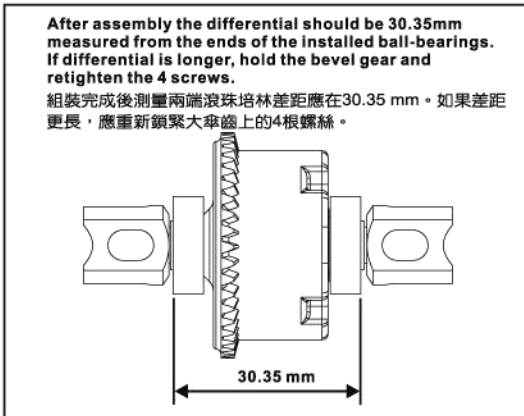
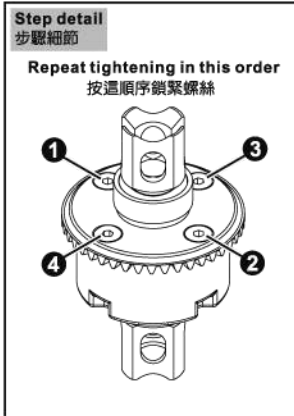
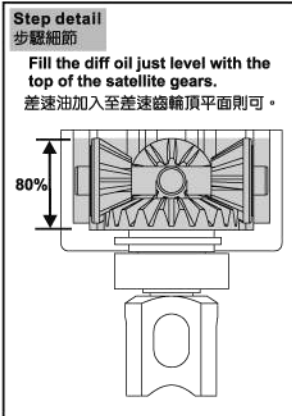
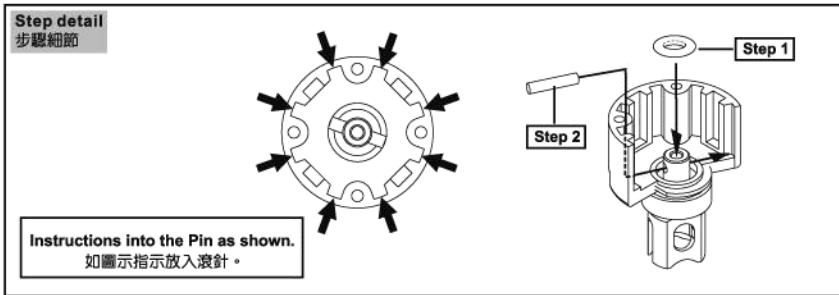
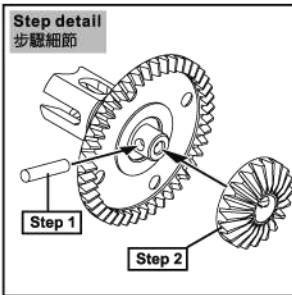
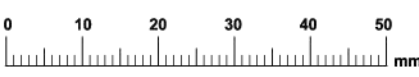
1 ASSEMBLY OF THE FRONT AND REAR DIFF. 前後差速齒輪組合

Build two differentials for front and rear. 請組合兩個差速器為前後使用。



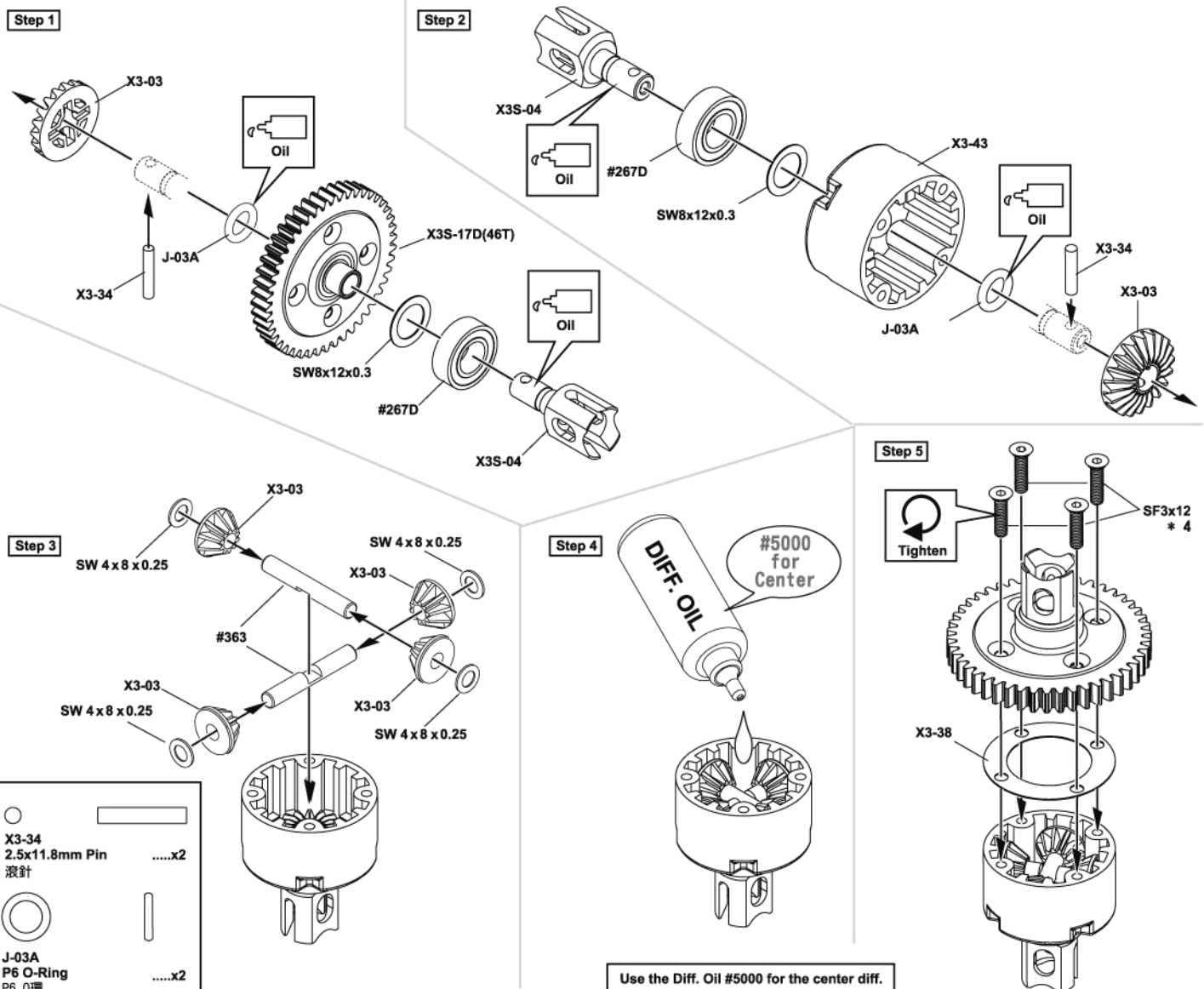
● Use the Diff. Oil #7000 for front and #2000 for rear. 前差速器請使用 #7000 差速油，後差速器請使用 #2000 差速油。
 ● Use White Oil pen mark front diff. case and rear diff. case. 使用白色油漆筆標記前差速殼與後差速殼。

- X3-34
2.5x11.8mm Pinx4
滾針
- J-03A
P6 O-Ringx4
P6 O環
- #267D
8x16x5mm
Ball Bearingx4
培林
- SW 4x8 x 0.25
4x8 x 0.25 mm
Washerx8
墊片
- #363
4mm Alim. Cross Pinx4
4mm 鋁十字軸心
- SF3x12mm
Flat Head Hex Screwx8
血頭內六角螺絲

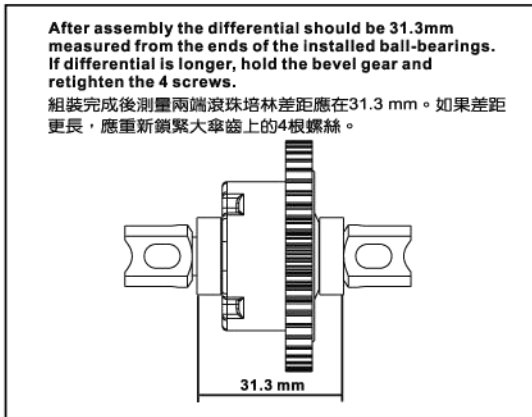
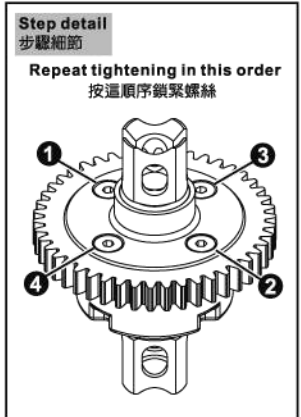
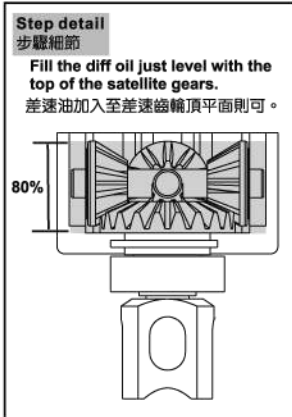
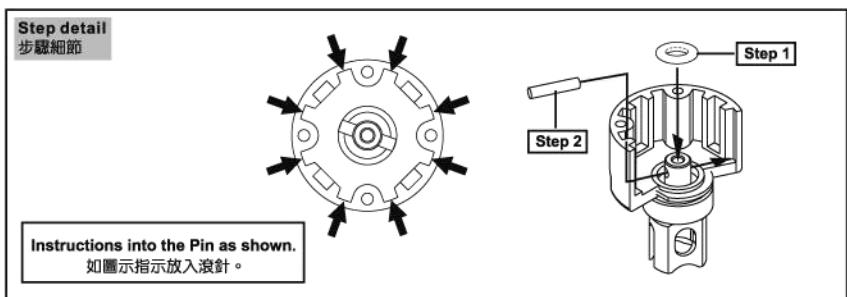
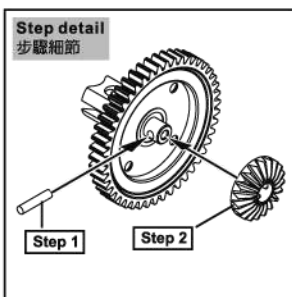
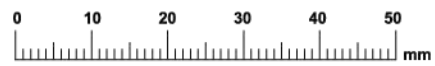


2 ASSEMBLY OF THE CENTER DIFF.

中央差速齒輪組合





- X3-34
2.5x11.8mm Pin
滾針x2
- J-03A
P6 O-Ring
P6 O環x2
- #267D
8x16x5mm
Ball Bearing
培林x2
- SW 4x8 x 0.25
4x8 x 0.25 mm
Washer
墊片x8
- SW8x12x0.3mm
Washer
墊片x2
- #363
4mm Alum. Cross Pinx2
4mm 鋁十字軸心
- SF3x12mm
Flat Head Hex Screwx4
皿頭內六角螺絲

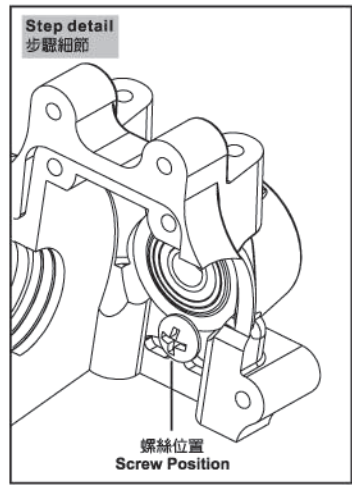
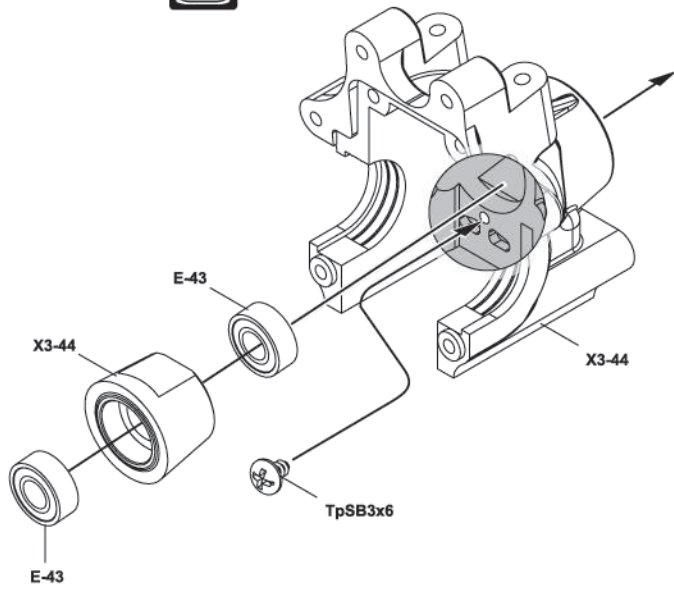


Use the Diff. Oil #5000 for the center diff.
中差速器請使用 #5000 差速油。

3 ASSEMBLY OF THE FRONT GEAR CASE 前齒輪箱組合

BAG NO.2


-  E-43
5x11x4mm
Ball Bearing
培林x2
-  SB3x6(Tap)
Tapping Hex Screwx1
大扁頭內六角自攻螺絲

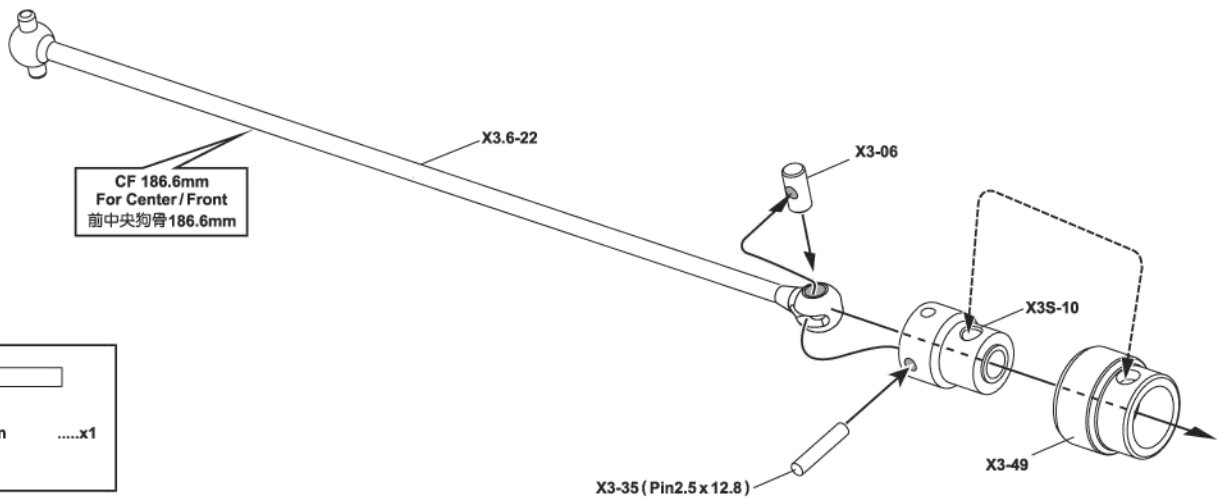


4 ASSEMBLY OF THE CENTER/FRONT CVD SHAFT 中央前CVD傳動軸組合

BAG NO.2

CF 186.6mm
For Center / Front
前中央狗骨186.6mm

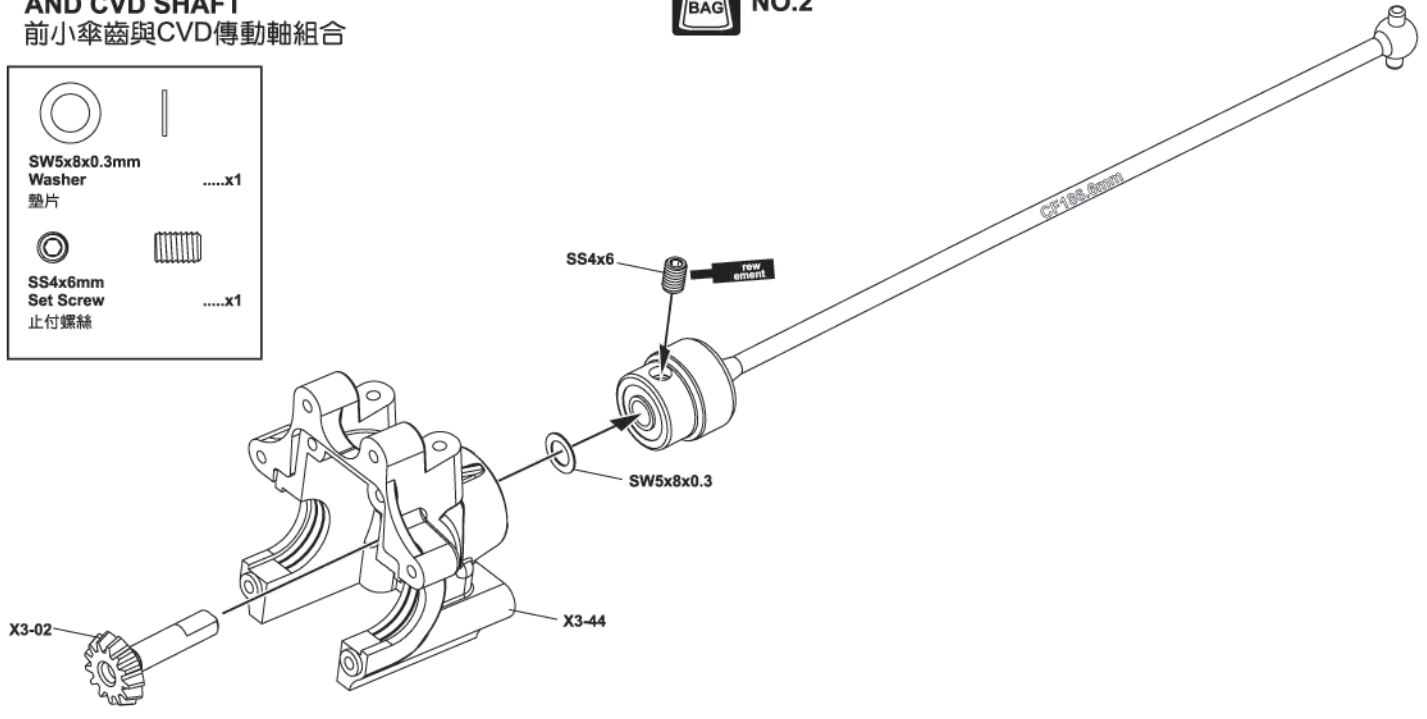
-  X3-35
2.5x12.8mm Pin
滾針x1



5 ASSEMBLY OF THE FRONT PINION GEAR AND CVD SHAFT 前小傘齒與CVD傳動軸組合

BAG NO.2

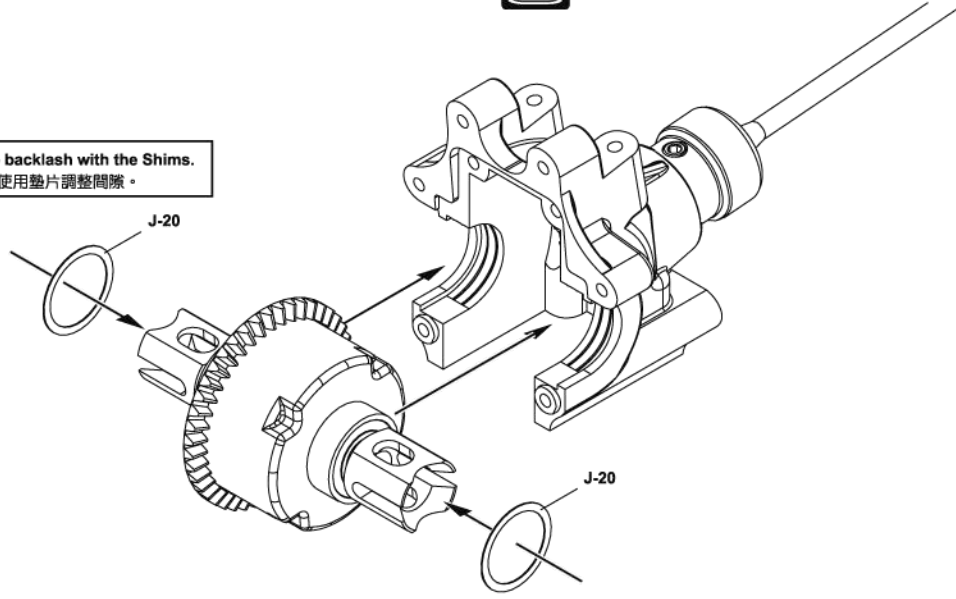
-  SW5x8x0.3mm
Washerx1
墊片
-  SS4x6mm
Set Screwx1
止付螺絲



6 ASSEMBLY OF THE FRONT DIFFERENTIAL INTO GEAR CASE  **NO.2**

前差速器與齒輪箱組合

Adjust the backlash with the Shims.
請使用墊片調整間隙。

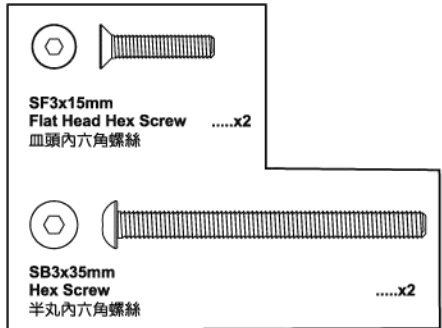


J-20
13x16x0.2mm
Shim
墊片x2

7 ASSEMBLY OF THE FRONT GEAR CASE COVER

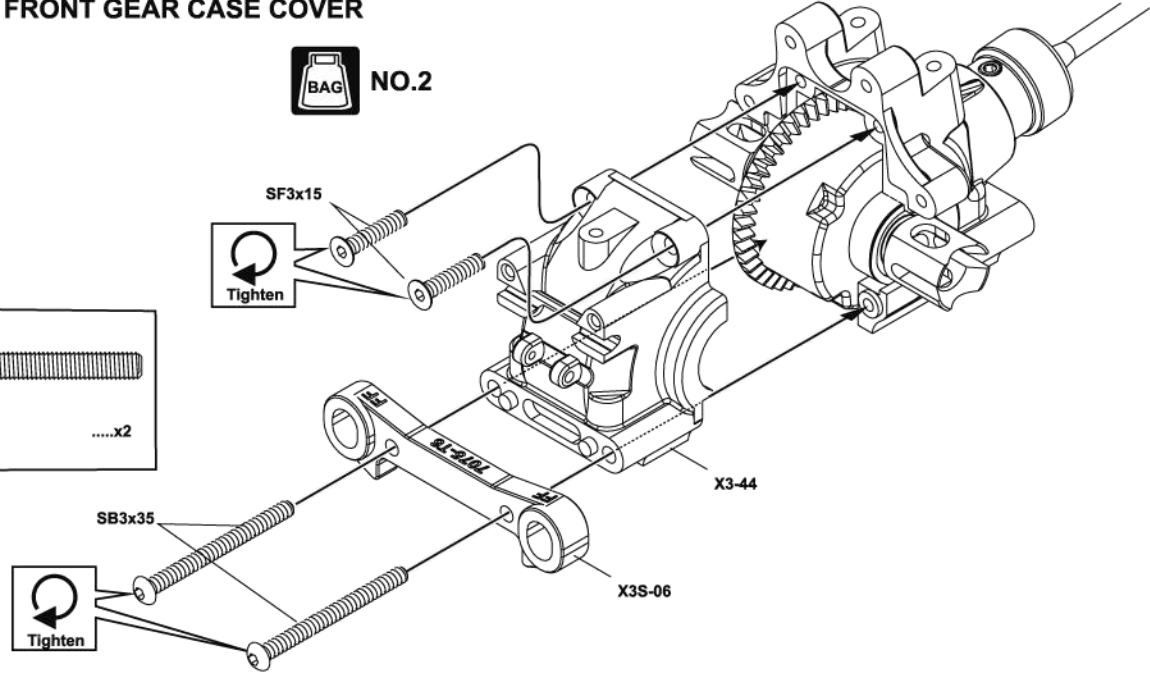
前齒輪箱蓋組合

 **NO.2**



SF3x15mm
Flat Head Hex Screwx2
皿頭內六角螺絲

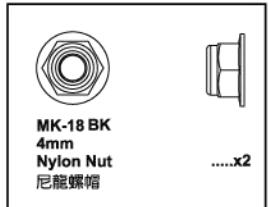
SB3x35mm
Hex Screwx2
半丸內六角螺絲



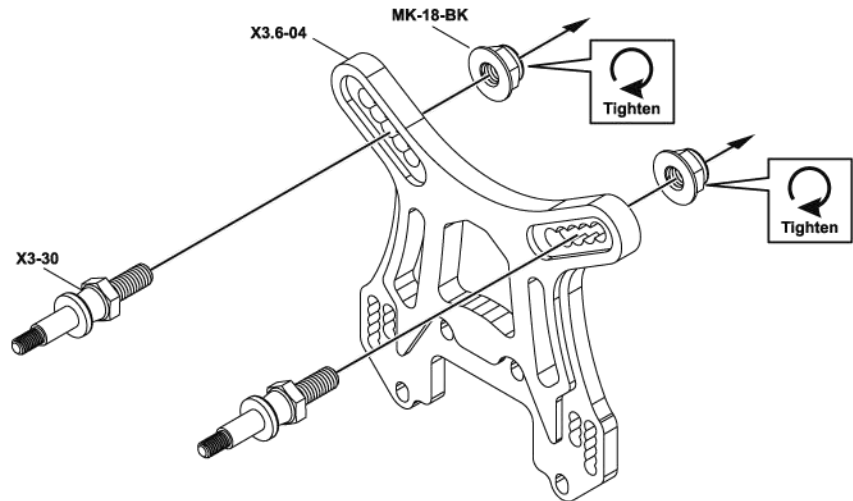
8 ASSEMBLY OF THE FRONT SHOCK STAY

前油壓架組合

 **NO.2**



MK-18 BK
4mm
Nylon Nut
尼龍螺帽x2

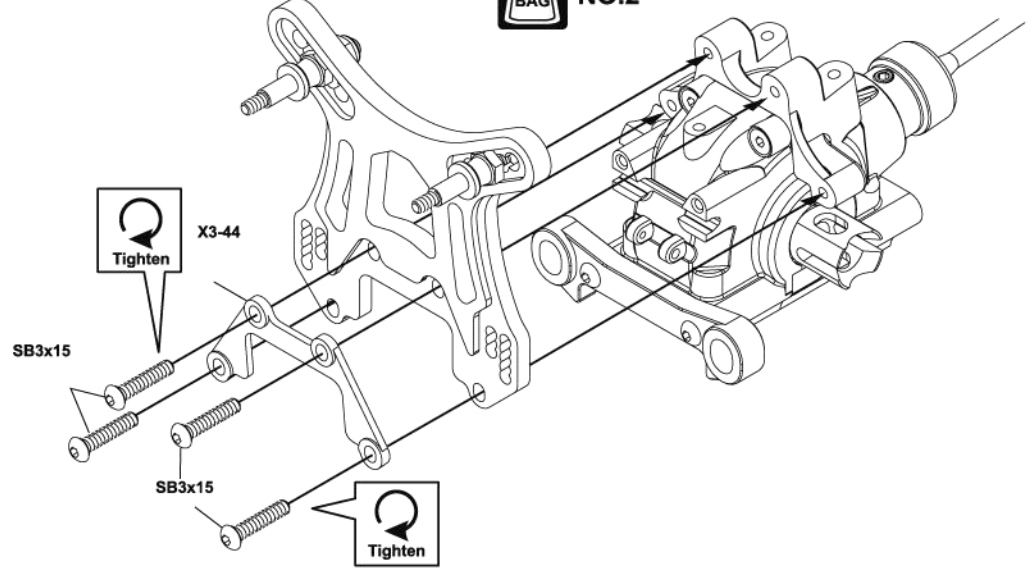


ASSEMBLY OF THE FRONT SHOCK STAY ONTO GEAR CASE

前油壓架與齒輪箱組合



NO.2



SB3x15mm
Hex Screw
半丸內六角螺絲x4

ASSEMBLY OF THE FRONT LOWER ARMS

前齒輪箱組合

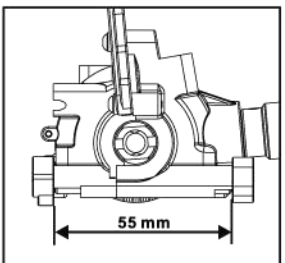


NO.2

Step detail
步驟細節

Ensure Free Movement
確保動作順暢

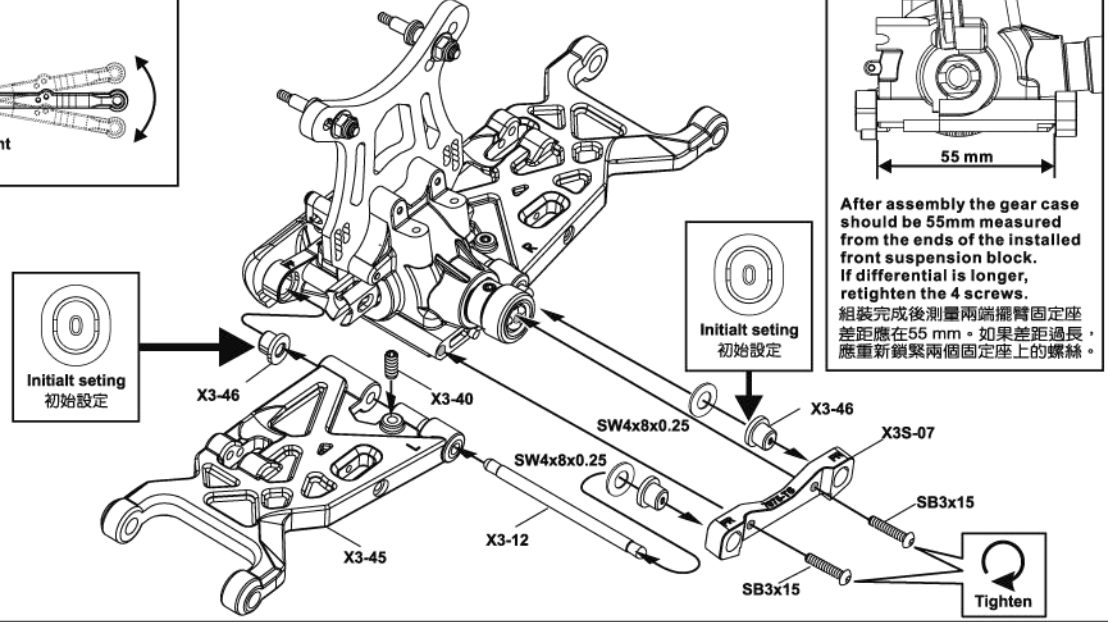
Assemble both right and left sides.
請組合左/右兩側。



SW 4x8 x 0.25
4x8 x 0.25 mm
Washer
墊片x2

SB3x15mm
Hex Screw
半丸內六角螺絲x2

X3-40
4x10mm
Round Head Set Screw
圓頭止付螺絲x2



After assembly the gear case should be 55mm measured from the ends of the installed front suspension block. If differential is longer, retighten the 4 screws.
組裝完成後測量兩端擺臂固定座差距應在55 mm。如果差距過長，應重新鎖緊兩個固定座上的螺絲。

ASSEMBLY OF THE FRONT STABILIZER ROD

前平衡桿組合



NO.2

Step detail
步驟細節

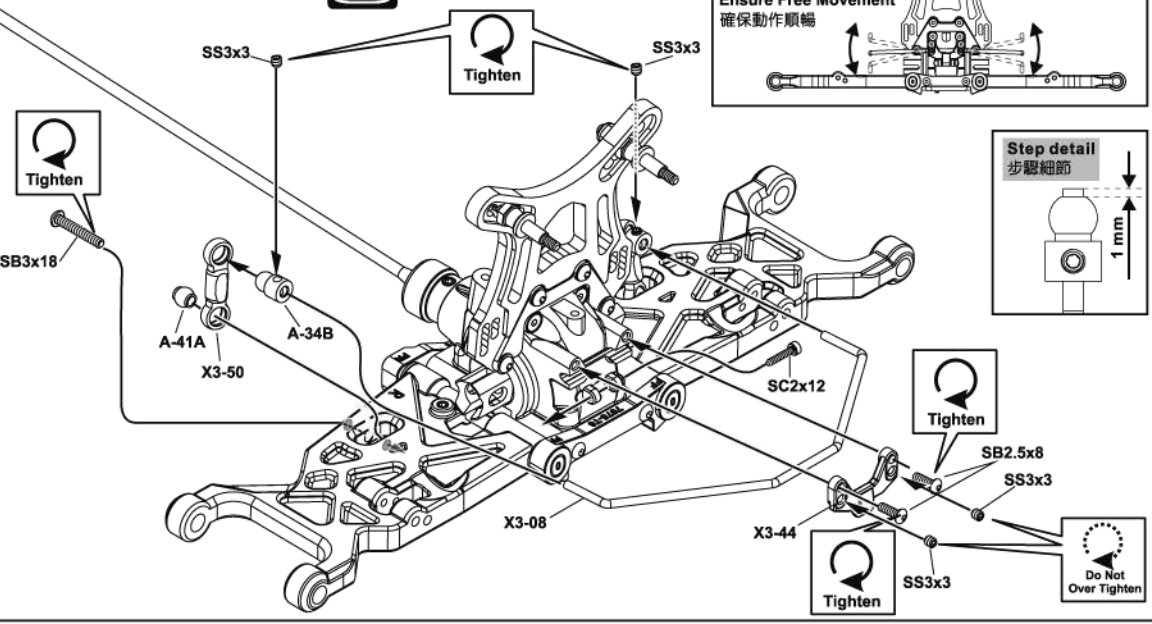
Ensure Free Movement
確保動作順暢

SB2.5x8mm
Hex Screw
半丸內六角螺絲x2

SC2x12mm
Cap Screw
有頭內六角螺絲x1

SB3x18mm
Hex Screw
半丸內六角螺絲x2

SS3x3mm
Set Screw
止付螺絲x4



Step detail
步驟細節

1 mm

12 ASSEMBLY OF THE FRONT KNUCKLE ARMS

轉向座組合



NO.2

LEFT SIDE
左側

Step 1

Step 2

Step 3

Step detail
步驟細節

Assemble both right and left sides.
請組合左右兩側。

Parts List:

- X3-62 13x20x4mm Ball Bearing 培林x2
- X3-61 8x14x4mm Ball Bearing 培林x2
- SS3x6mm Set Screw 止付螺絲x4
- 3xmm Nylon Nut 尼龍螺帽x2

Labels: X3S-20 (L12° / (R12°)), X1-27, X3-62 (Bearing 13x20x4), X3-47, SNN3, X3-61 (Bearing 8x14x4), X3-14, SS3x6, SS3x6.

Diagram Description: This diagram shows the three-step assembly of the front knuckle arms. Step 1 shows the initial assembly of the knuckle arm with bearings. Step 2 shows the addition of the ball bearing and nylon nut. Step 3 shows the final assembly with the set screw. A detail view shows the set screw being tightened against the nylon nut. A note at the bottom states 'Assemble both right and left sides. 請組合左右兩側。'

13 ASSEMBLY OF THE FRONT CVD INTO KNUCKLE ARMS

轉向座與CVD傳動軸組合



NO.2

LEFT SIDE
左側

Assemble both right and left side.
請組合左右兩側。

Parts List:

- X3-35 2.5x12.8mm Pin 滾針x2
- #267E 2.5x16.8mm Pin 滾針x2
- SS4x4mm Set Screw 止付螺絲x2

Labels: #267E (Pin 2.5x16.8), SS4x4, X1-26, X3-35 (Pin 2.5x12.8), X3-07, X3-06, X3-04A, F 107.5mm For Front 前CVD狗骨 107.5mm.

Diagram Description: This diagram shows the assembly of the front CVD into the knuckle arms. It includes a detail view of the pin being inserted into the knuckle arm and secured with a set screw. A note says 'Tighten' with a circular arrow icon. A note at the bottom right says 'Right side 右側'. A note at the bottom left says 'Assemble both right and left side. 請組合左右兩側。'

14 ASSEMBLY OF THE KNUCKLE ARMS ONTO FRONT LOWER ARMS

組合前轉向座至下擺臂



NO.2

Step detail
步驟細節

Ensure Free Movement
確保動作順暢

Do Not Over Tighten

Do Not Over Tighten

Assemble both right and left sides.
請組合左右兩側。

Parts List:

- 4x16mm Hex Screw 半丸內六角螺絲x4

Labels: SB4x16, X3-15, X3-15, SB4x16.

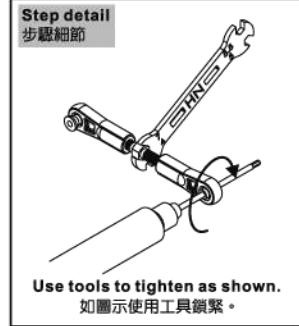
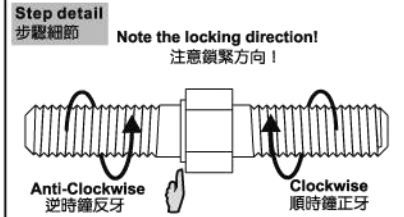
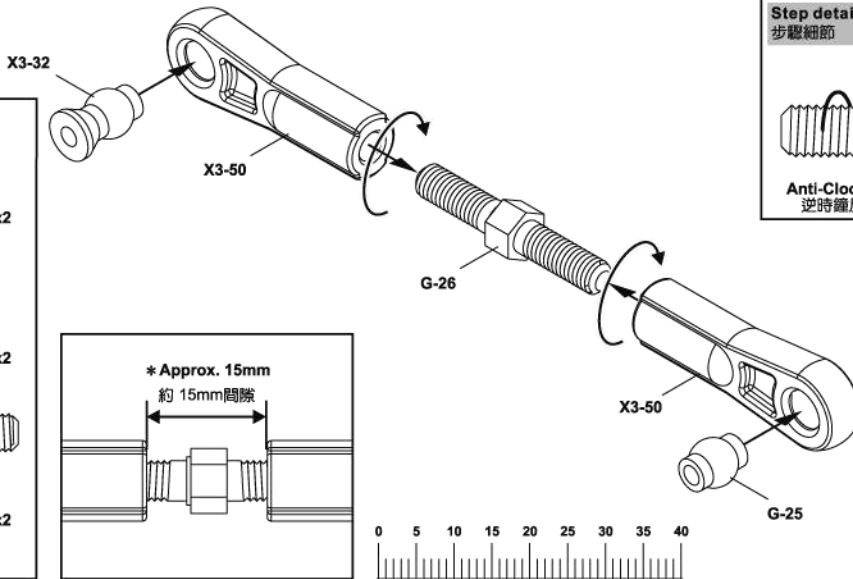
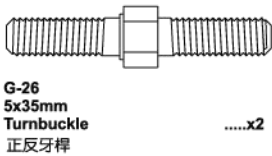
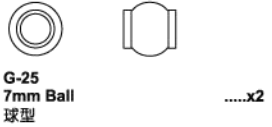
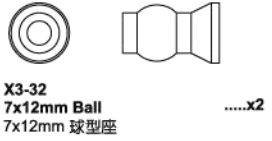
Diagram Description: This diagram shows the assembly of the knuckle arms onto the front lower arms. It includes a detail view of the hex screw being inserted into the knuckle arm. A note says 'Do Not Over Tighten' with a circular arrow icon. A note at the bottom right says 'Ensure Free Movement 確保動作順暢'. A note at the bottom left says 'Do Not Over Tighten'. A note at the bottom right says 'Assemble both right and left sides. 請組合左右兩側。'

15 ASSEMBLY OF THE FRONT UPPER ARMS 前上拉桿組合

BAG NO.2

Assemble both left and right sides.
請組合左 / 右兩側。

LEFT SIDE
左側

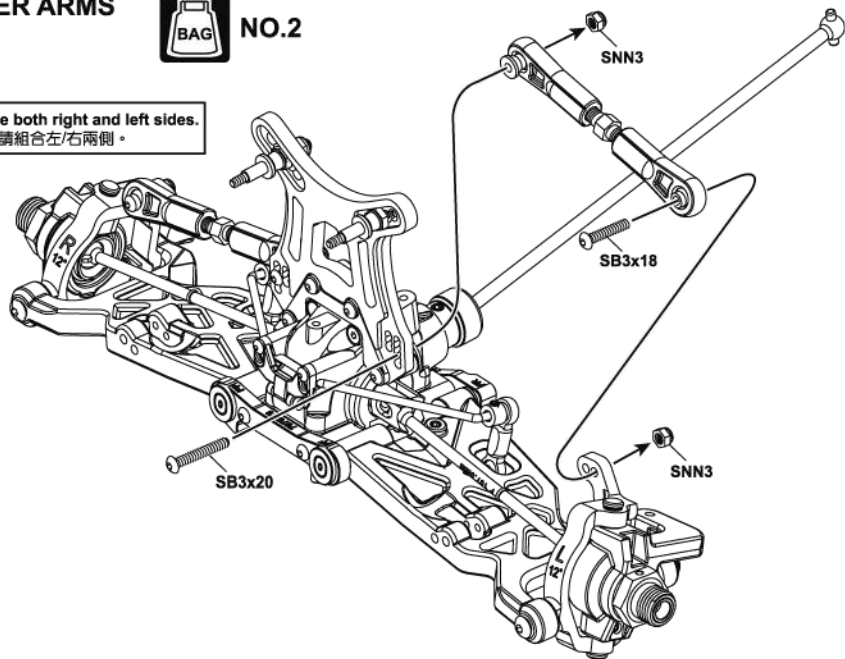
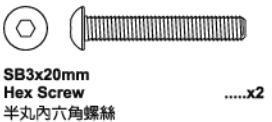
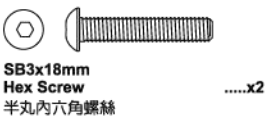


16 ASSEMBLY OF THE FRONT UPPER ARMS 前上拉桿組合

BAG NO.2

Assemble both right and left sides.
請組合左右兩側。

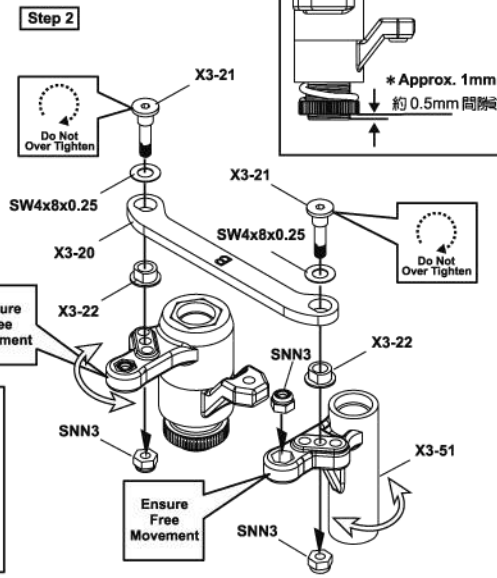
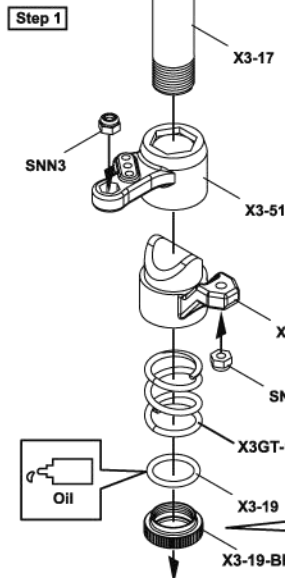
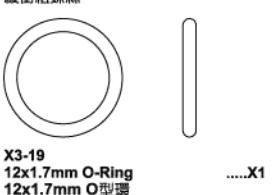
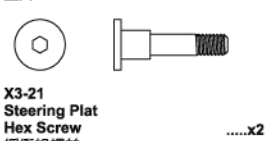
LEFT SIDE
左側



17 ASSEMBLY OF THE SERVO SAVER 緩衝組組合

BAG NO.3

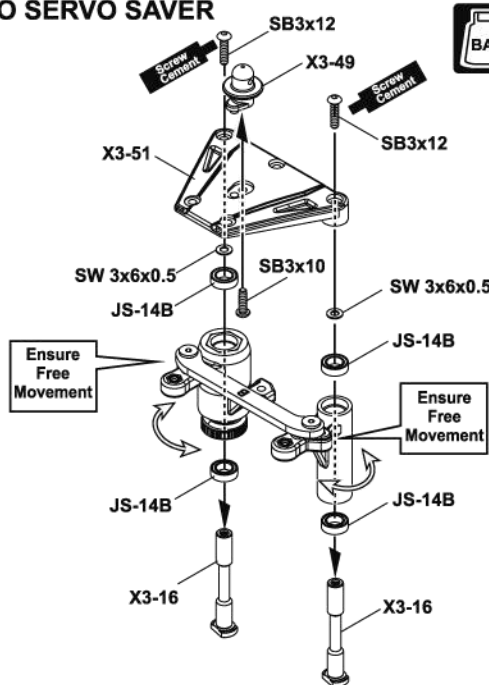
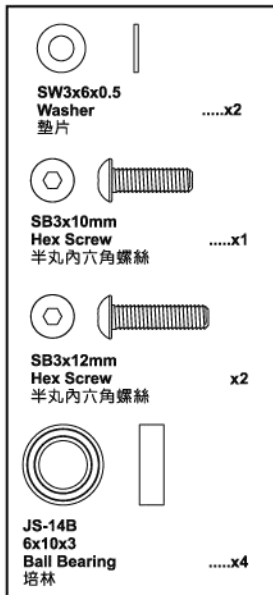
Servo saver spring preload.
緩衝組彈簧預留



18 ASSEMBLY OF THE FRONT PLATE ONTO SERVO SAVER

緩衝組與前三角板組合

BAG NO.3

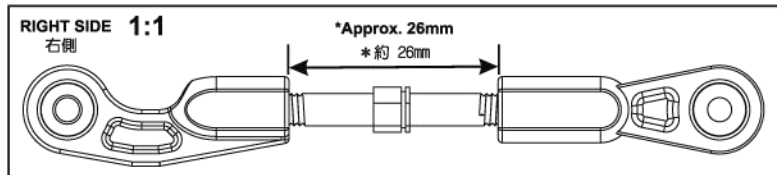
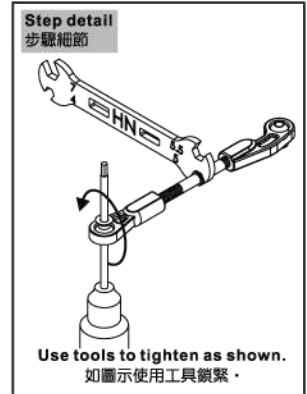
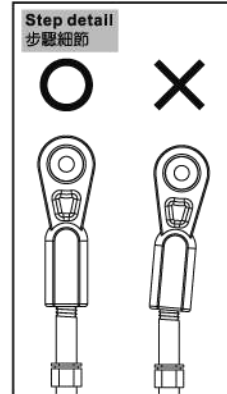
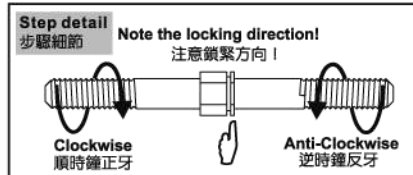
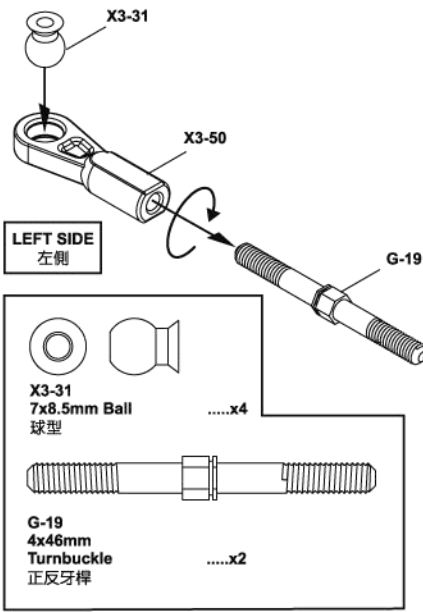


19 ASSEMBLY OF THE STEERING TIE-ROD

轉向拉桿組合

BAG NO.3

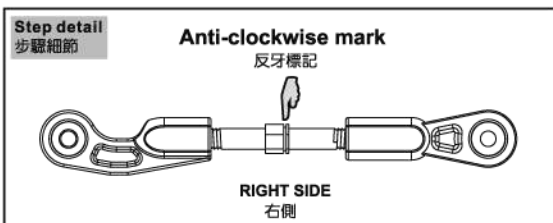
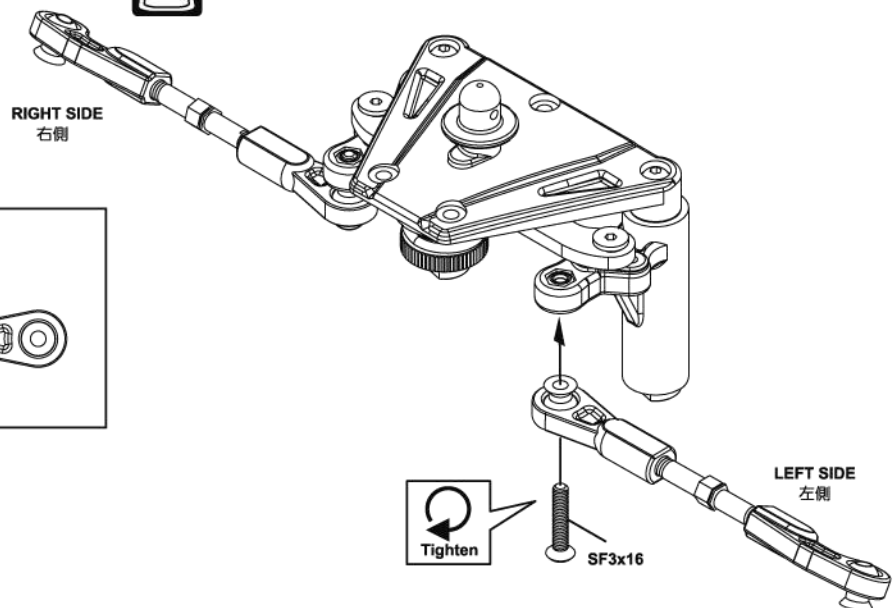
Make two steering rods for left and right hand sides.
請裝備左邊和右邊2支轉向拉桿。



20 ASSEMBLY OF THE STEERING TIE-ROD

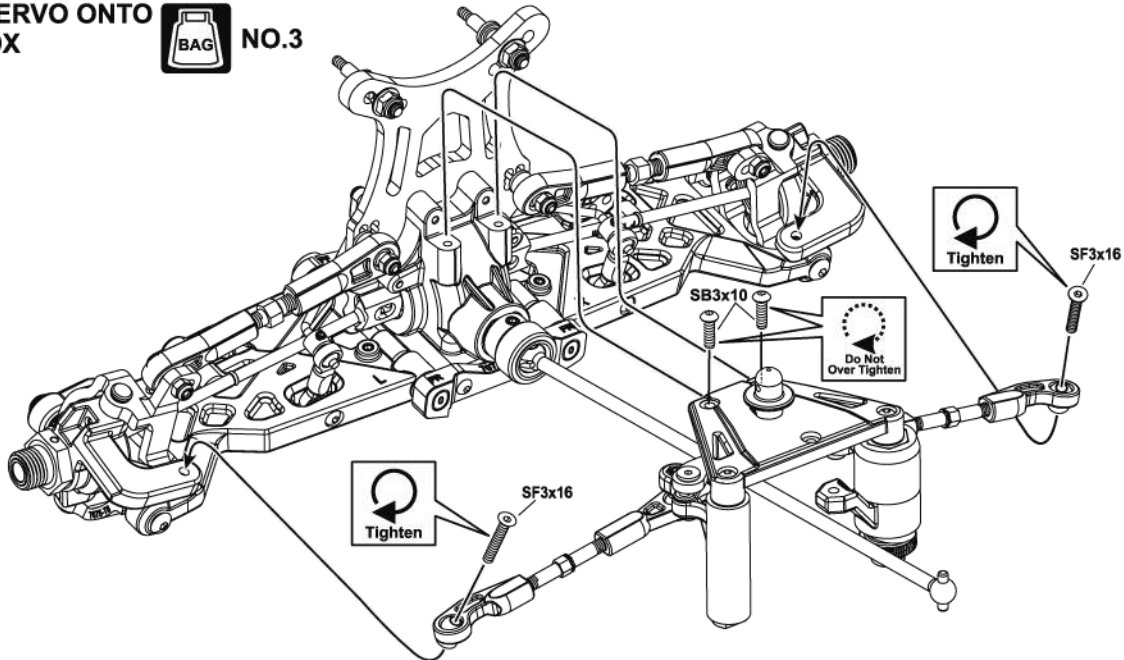
轉向拉桿組合



BAG NO.3



21 ASSEMBLY OF THE SERVO ONTO THE FRONT GEAR BOX
組合緩衝組至前齒輪箱

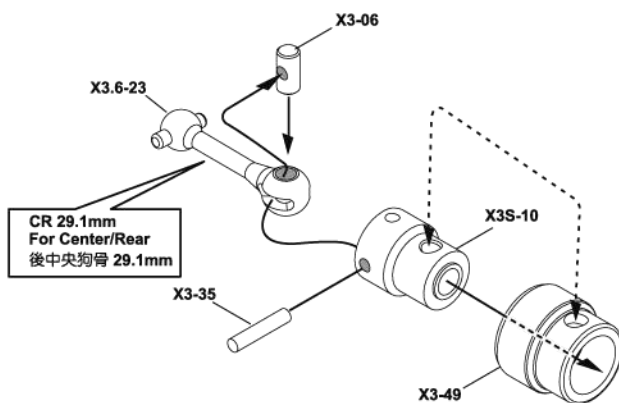
BAG NO.3




-  SF3x16mm Flat Head Hex Screwx2
皿頭內六角螺絲
-  SB3x10mm Hex Screwx2
半丸內六角螺絲

22 ASSEMBLY OF THE CENTER/REAR CVD SHAFT
中央/後CVD傳動軸組合

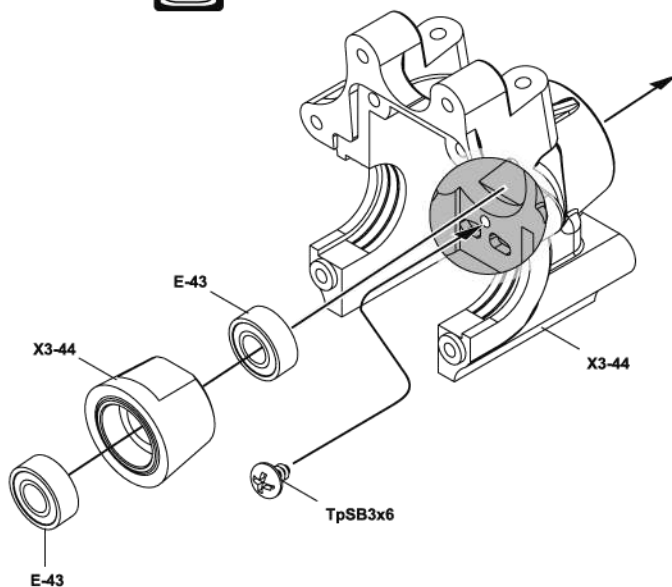
BAG NO.4





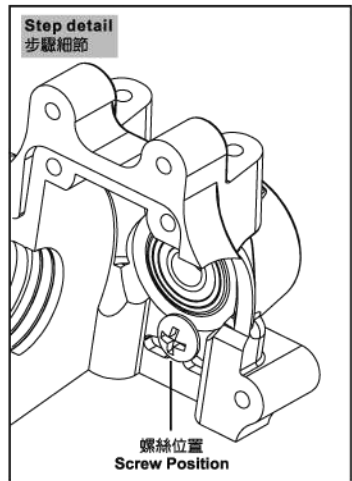
-  X3-35 2.5x12.8mm Pinx1
滾針

23 ASSEMBLY OF THE REAR GEAR CASE
後齒輪箱組合

BAG NO.4

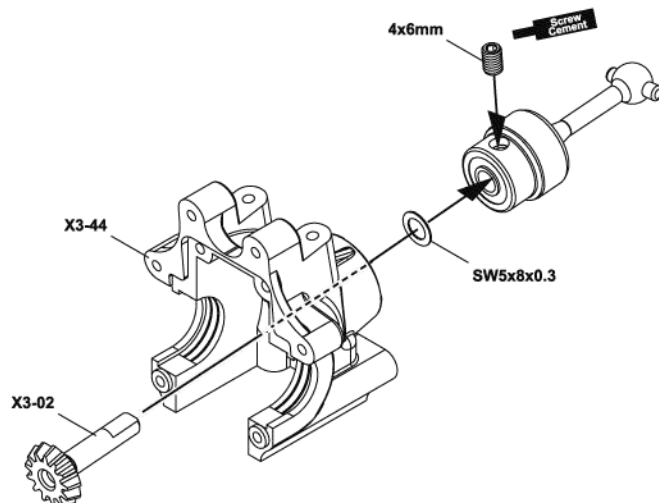
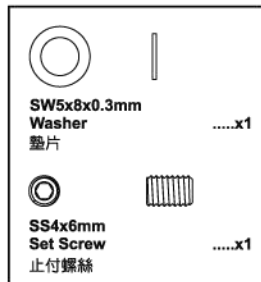


-  E-43 5x11x4mm Ball Bearingx2
培林
-  SB3x6(Tap) Tapping Hex Screwx1
大扁頭內六角自攻螺絲



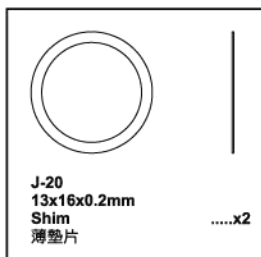
24 ASSEMBLY OF THE REAR PINION GEAR AND CVD SHAFT
後小傘齒與CVD傳動軸組合

BAG NO.4

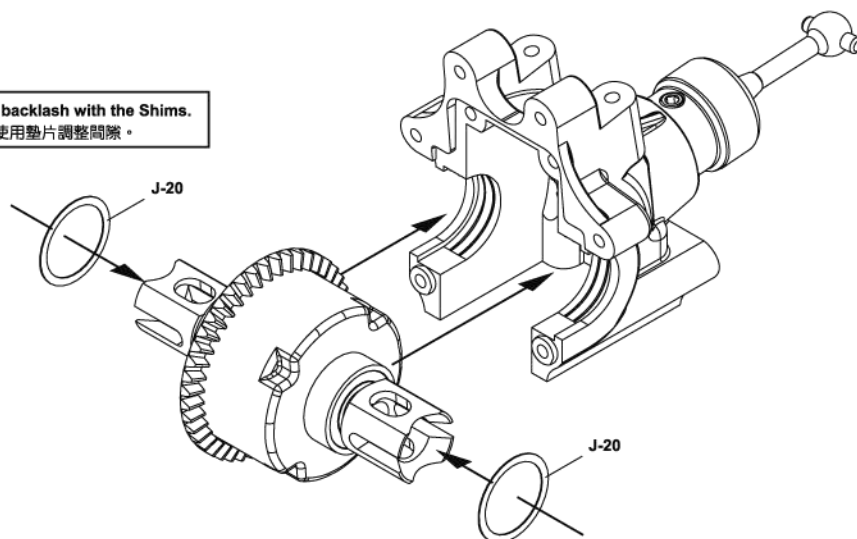


25 ASSEMBLY OF THE REAR DIFFERENTIAL ONTO GEAR CASE
後差速器與後齒輪箱組合

BAG NO.4 NO.1

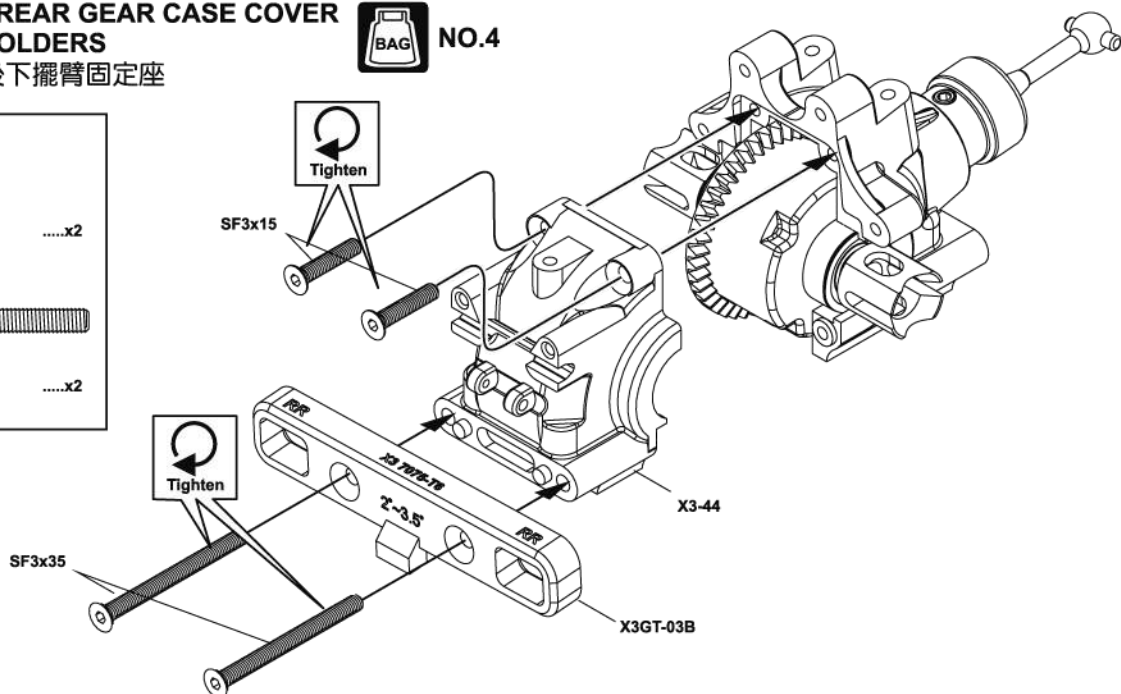
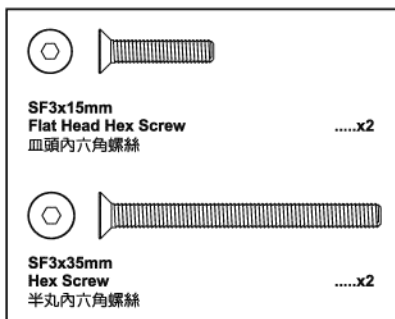


Adjust the backlash with the Shims.
請使用墊片調整間隙。



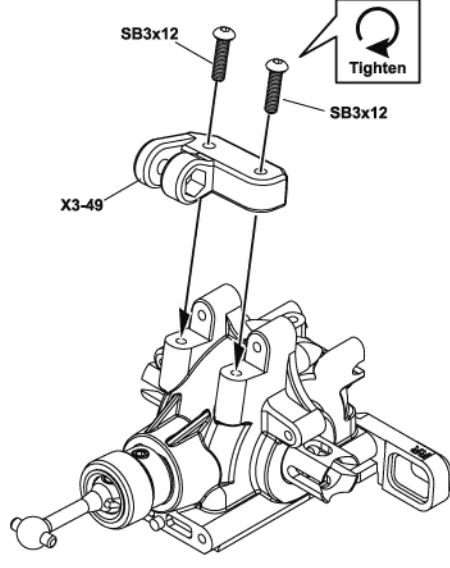
26 ASSEMBLY OF THE REAR GEAR CASE COVER AND LOWER ARM HOLDERS
組合後齒輪箱前蓋及後下擺臂固定座


BAG NO.4



27 ASSEMBLY OF THE REAR BRACE MOUNT 後支撐架座組合

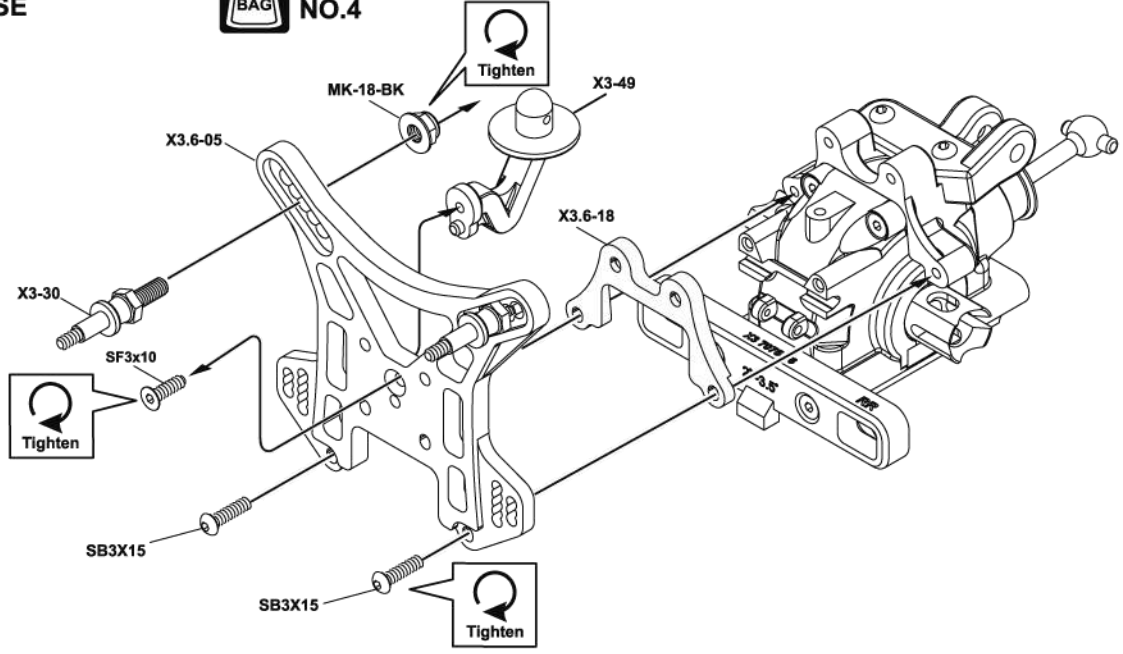
BAG NO.2
NO.4



-  SB3x12mm Hex Screwx2
半丸內六角螺絲

28 ASSEMBLY OF THE REAR SHOCK STAY ONTO REAR GEAR CASE 後油壓架與齒輪箱組合

BAG NO.2
NO.4




-  SB3x15mm Hex Screwx2
半丸內六角螺絲
-  SF3x10mm Flat Head Hex Screwx1
皿頭內六角螺絲
-  MK-18-BK 4mm Alum. Nylon Nutx2
鋁尼龍螺帽

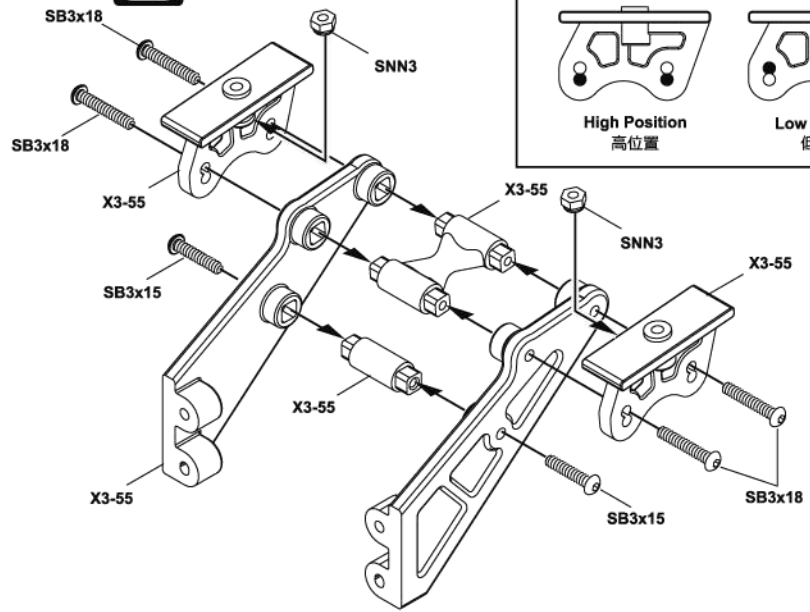
29 ASSEMBLY OF THE WING STAY 定風翼架組合

BAG NO.4

The angle of the wing mount can become bigger or higher as picture shown.
定風翼角度如圖示可以裝配位置不同而會有角度及高低變化。

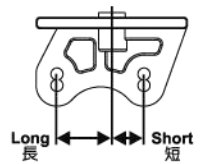


High Position 高位置 Low Position 低位置 Big Angle 大角度



-  SNN3mm Nylon Nutx2
尼龍螺帽
-  SB3x18mm Hex Screwx4
半丸內六角螺絲
-  SB3x15mm Hex Screwx2
半丸內六角螺絲

Make both side wing mounts in the same position.
裝配兩邊定風翼固定為同方向。






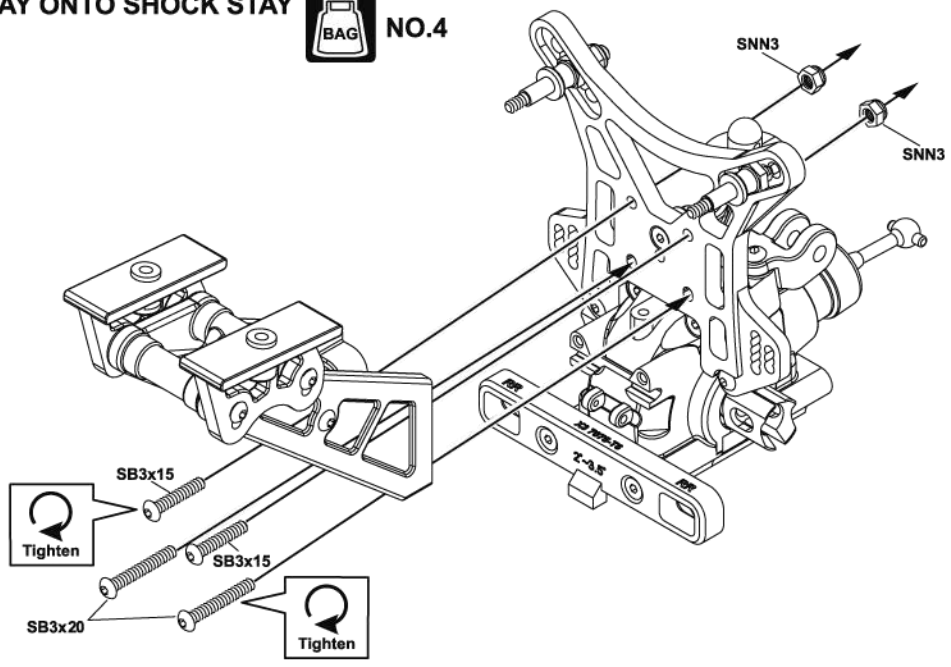
Long 長 Short 短

30 ASSEMBLY OF THE WING STAY ONTO SHOCK STAY

定風翼架油壓架組合

BAG NO.4

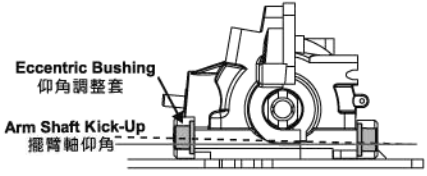
-  **SNN3mm Nylon Nut** 尼龍螺帽x2
-  **SB3x20mm Hex Screw** 半丸內六角螺絲x2
-  **SB3x15mm Hex Screw** 半丸內六角螺絲x2




31 REAR KICK-UP (RF) & REAR TOE-IN (RR) SETTING

後仰角與後內束角調整

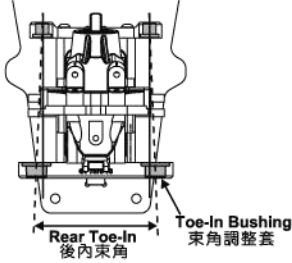
REAR KICK-UP SETTING 後仰角調整



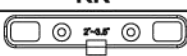
Rear Kick-Up 後仰角	Characteristics 特性
Less Rear Kick-Up 較少的後仰角	<ul style="list-style-type: none"> ● Absorb road shock less. ● Applicable flat surface. ● 吸收較少的路面衝擊。 ● 適用於較平坦的路面。
More Rear Kick-Up 較多的後仰角	<ul style="list-style-type: none"> ● Absorb road shock more. ● Applicable uneven surface. ● 吸收較多的路面衝擊。 ● 適用於較不平的路面。

RF	Rear Kick-Up 後仰角
	
3.3	2.8°
3	2.5°
2.5	2°
2	1.5°
2 (Reverse) (反置)	1°
2T (Reverse) (反置)	0.5°
2C (Reverse) (反置)	0°

REAR TOE-IN SETTING 後內束角調整



Rear Toe-In 後內束角	Characteristics 特性
Less Rear Toe-In 較少的後內束角	<ul style="list-style-type: none"> ● Reduced Grip. ● Oversteer tendency. ● Linear acceleration over the instability. ● 抓地力減少。 ● 轉向過度傾向。 ● 直線加速較不穩定性。
More Rear Toe-In 較多的後內束角	<ul style="list-style-type: none"> ● Increased grip. ● Understeer tendencies than the stability. ● Linear acceleration than the stability. ● 抓地力增加。 ● 轉向不足傾向。 ● 直線加速較穩定性。




RR	Rear Toe-In 後內束角
	
L3.5 R3.5	3.5°
L3.3 R3.3	3.3°
L3 R3	3°
L2.5 R2.5	2.5°
L2 R2	2°

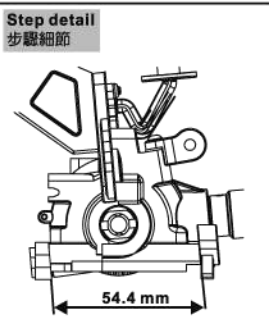
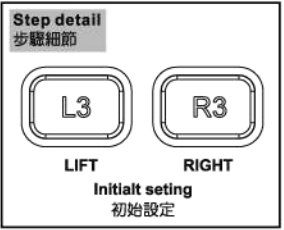
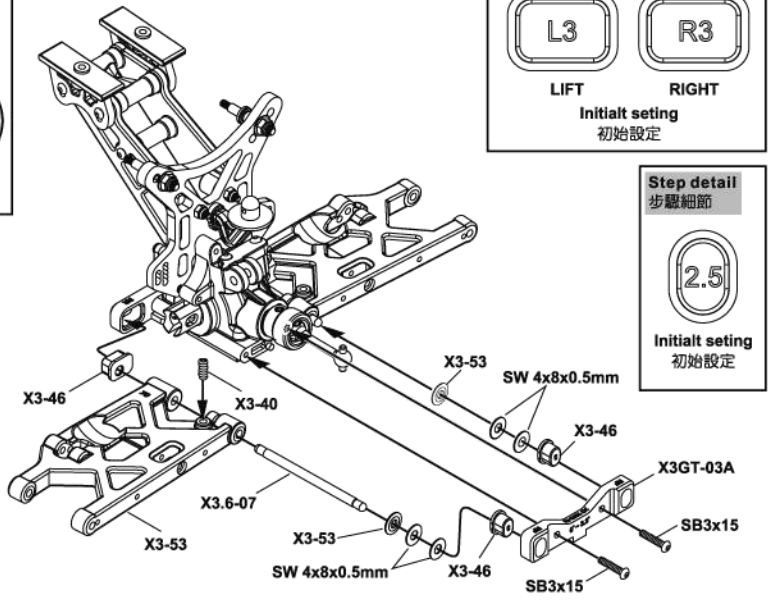
32 ASSEMBLY OF THE REAR LOWER ARMS

後齒輪箱與擺臂組合

BAG NO.4



-  **SW 4 x 8 x 0.25 4 x 8 x 0.25 mm Washer** 墊片x4
-  **SB3x15mm Hex Screw** 半丸內六角螺絲x2
-  **X3-40 4x10mm Round Head Set Screw** 圓頭止付螺絲x2

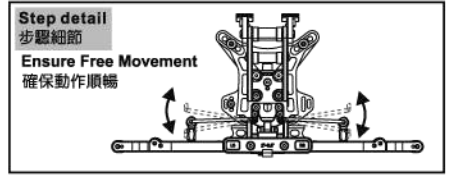
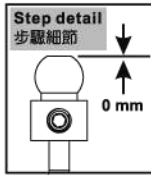


After assembly the gear case should be 54.4mm measured from the ends of the installed front suspension block. If differential is longer, retighten the 4 screws. 組裝完成後測量兩端擺臂固定座差距應在54.4 mm。如果差距過長應重新鎖緊兩個固定座上的螺絲。

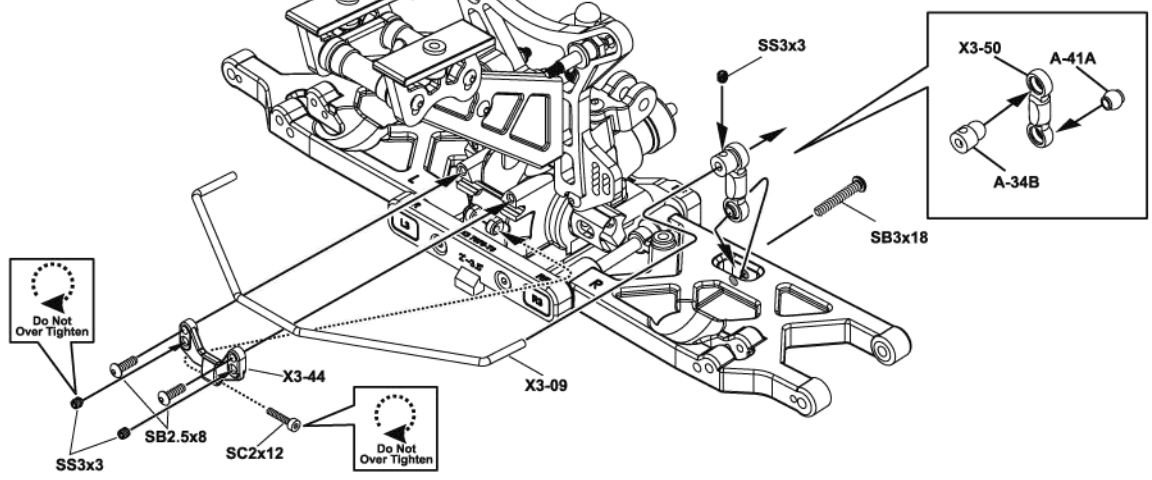
Assemble both right and left side. 請組合左/右兩側。

33 ASSEMBLY OF THE REAR STABILIZER 後平衡桿組合

BAG NO.4



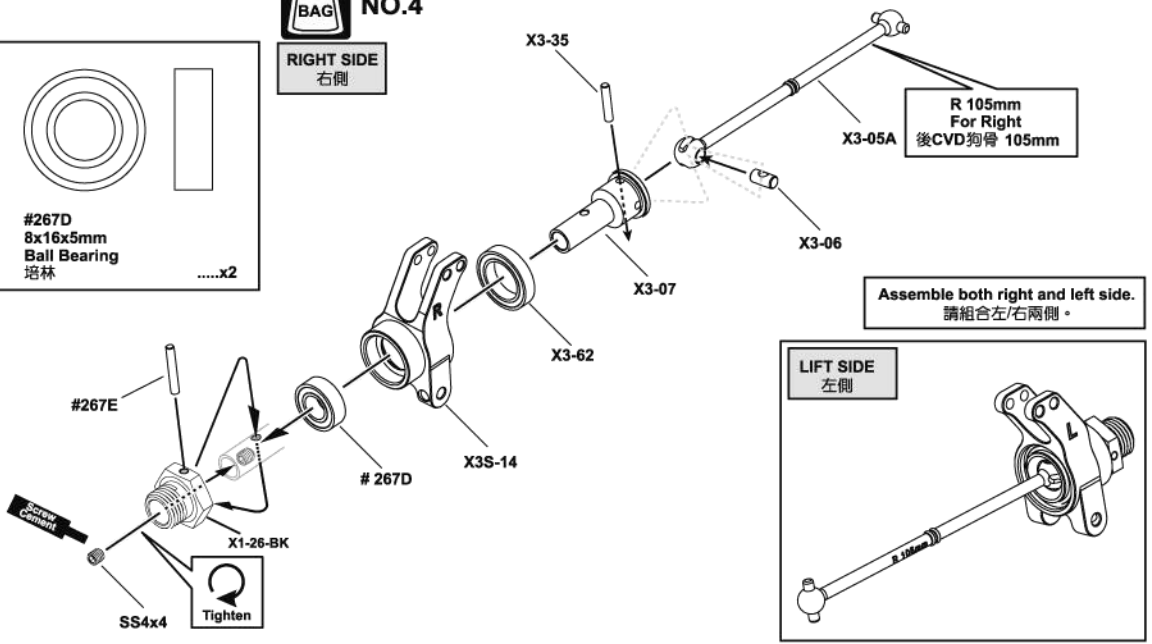
- SB2.5x8mm Hex Screwx2
半丸內六角螺絲
- SC2x12mm Cap Screwx1
有頭內六角螺絲
- SB3x18mm Hex Screwx2
半丸內六角螺絲
- SS3x3mm Set Screwx4
止付螺絲



34 ASSEMBLY OF THE REAR WHEEL HUBS 後輪座組合

BAG NO.4

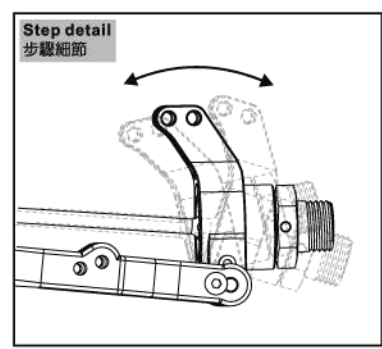
- X3-62 13x20x4mm Ball Bearingx2
培林
- #267D Ball Bearing"/> #267D 8x16x5mm Ball Bearingx2
培林
- X3-35 2.5x12.8mm Pinx2
滾針
- #267E Pin"/> #267E 2.5x16.8mm Pinx2
滾針
- 4x4mm Set Screwx2
止付螺絲



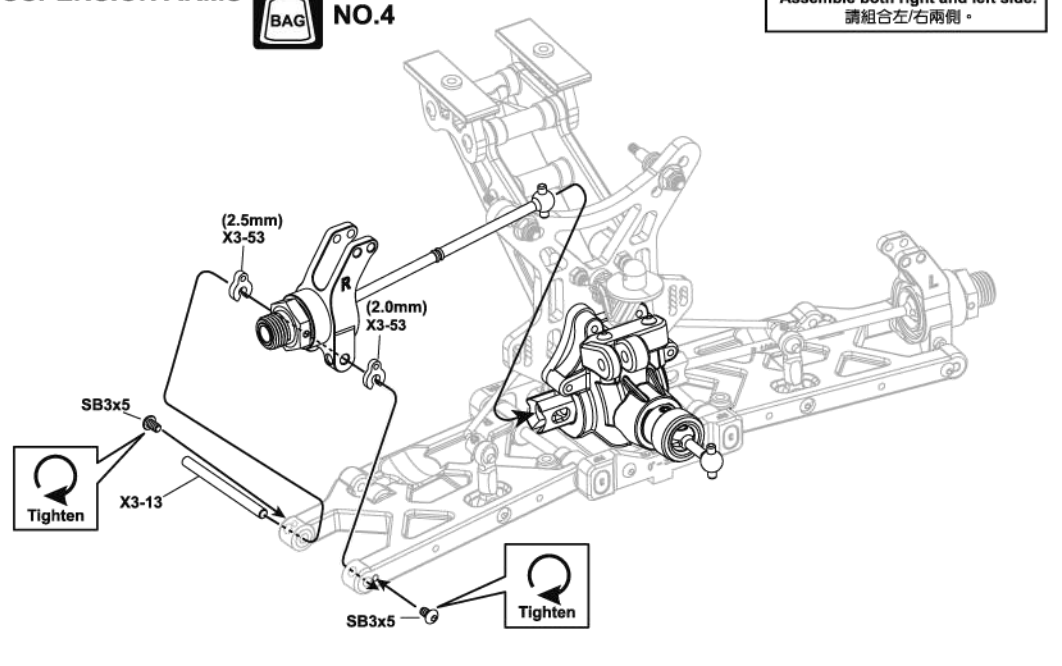
35 ASSEMBLY OF THE REAR SUSPENSION ARMS 後懸吊系統組合

BAG NO.4

Assemble both right and left side.
請組合左右兩側。



- SB3x5mm Hex Screwx4
半丸內六角螺絲



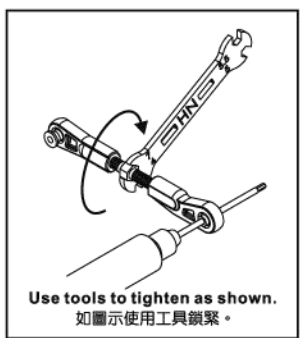
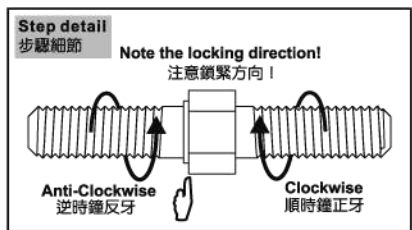
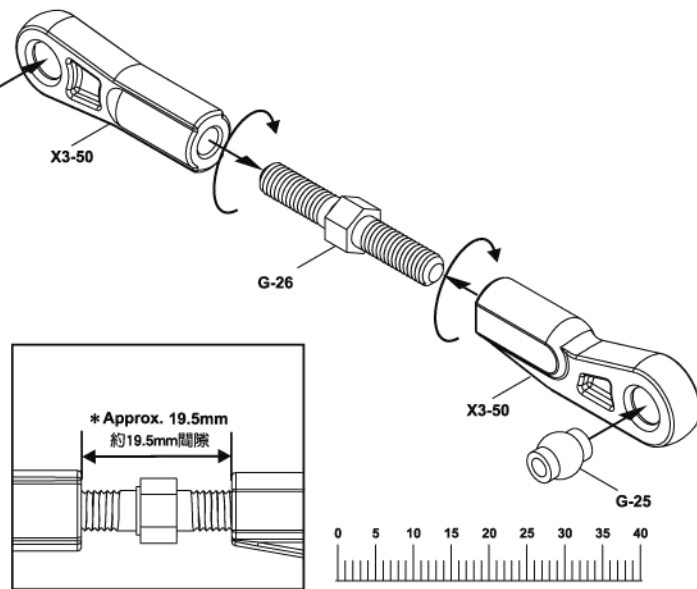
36 ASSEMBLY OF THE REAR UPPER ARMS 後上擺臂組合

BAG NO.2
NO.4

Assemble both left and right sides.
請組合左/右兩側。

RIGHT SIDE
右側

- G-25
7mm Ball
球型x4
- G-26
5x35mm
Turnbuckle
正反牙桿x2



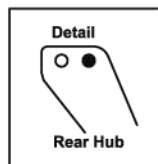
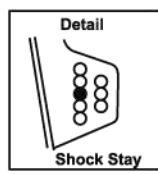
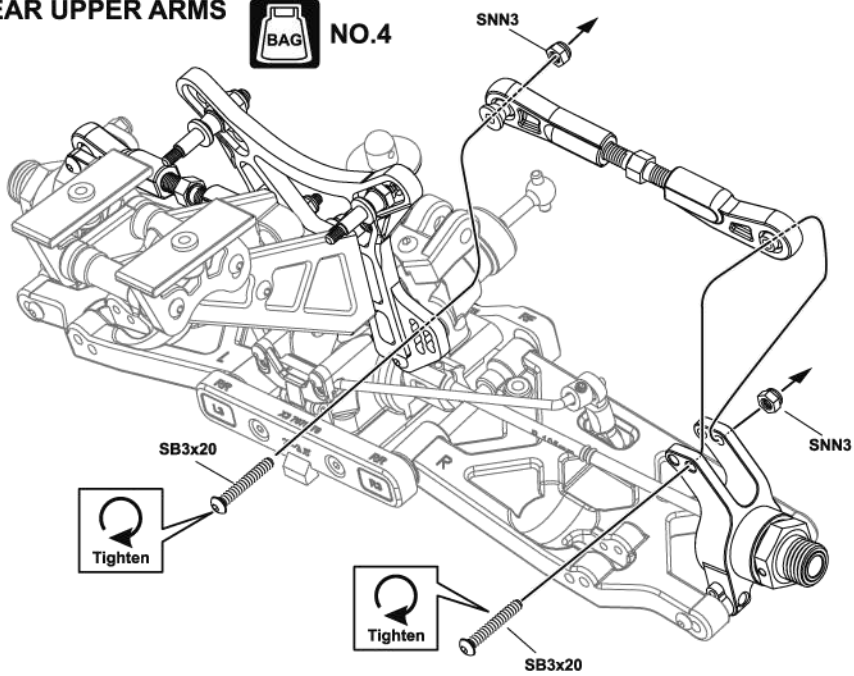
37 ASSEMBLY OF THE REAR UPPER ARMS 後懸吊系統組合

BAG NO.4

RIGHT SIDE
右側

Assemble both right and left side.
請組合左/右兩側。

- SNN3mm
Nylon Nut
尼龍螺帽x4
- 3x20mm
Hex Screw
半丸內六角螺絲x4



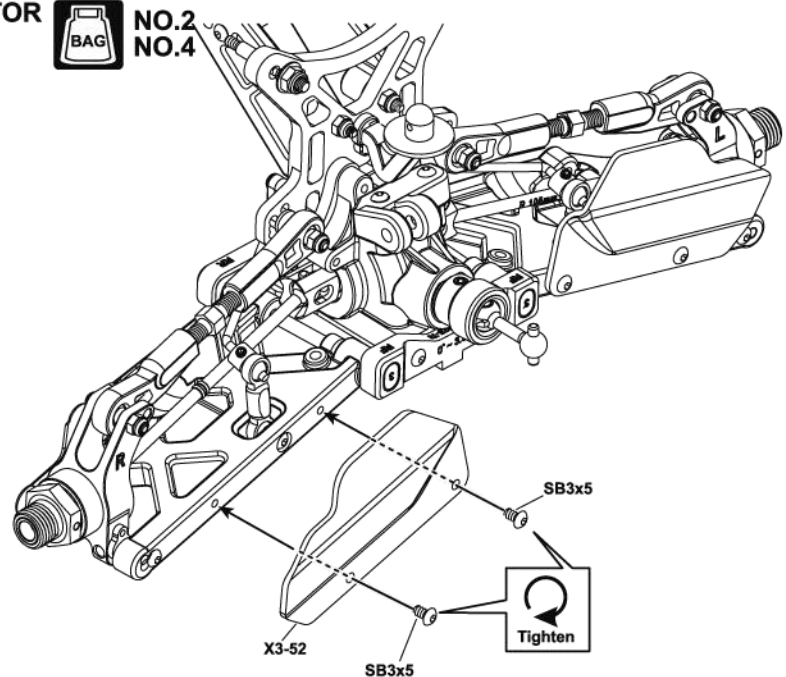
38 ASSEMBLY OF THE REAR MUD DEFLECTOR 後防泥板組合

BAG NO.2
NO.4

RIGHT SIDE
右側

Assemble both right and left side.
請組合左/右兩側。

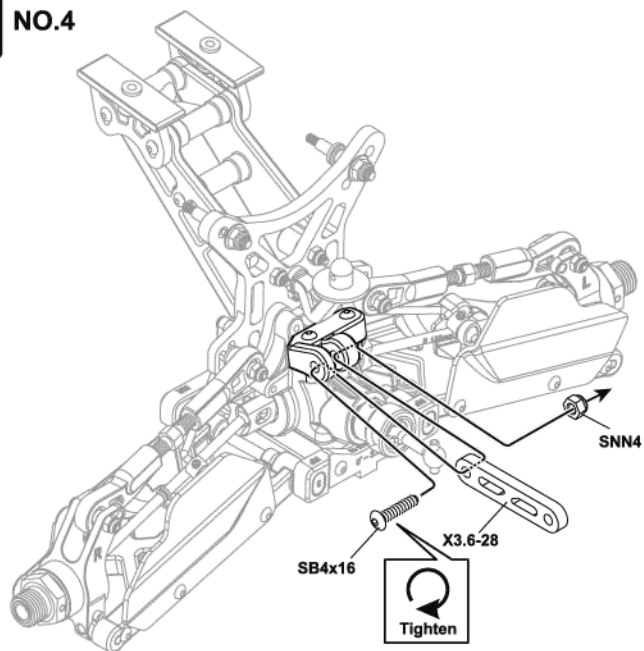
- SB3x5mm
Hex Screw
半丸內六角螺絲x4



39 ASSEMBLY OF THE REAR CENTER BRACE
後中央補強桿組合



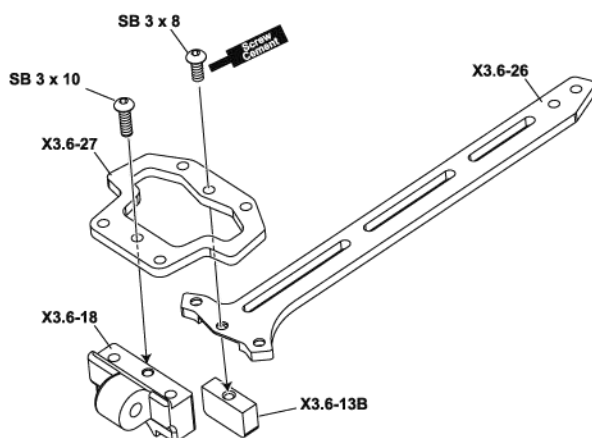
NO.4



40 ASSEMBLY OF THE CENTER DIFF MOUNT
中差座組合



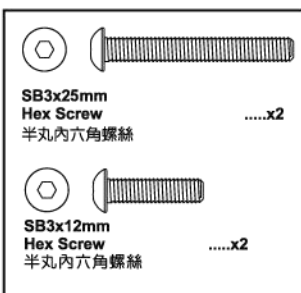
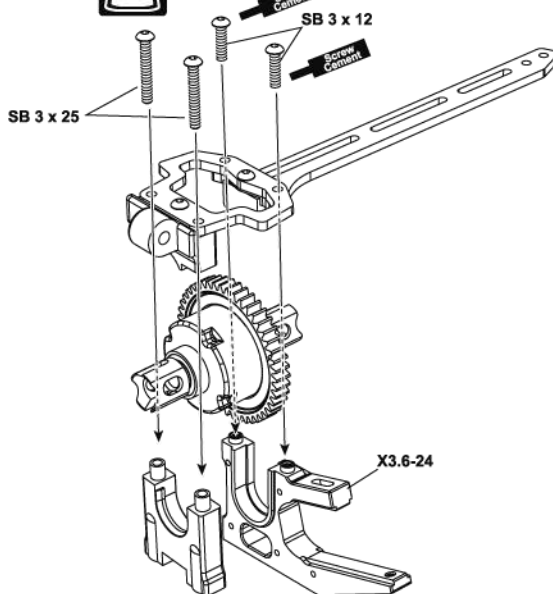
NO.5



41 ASSEMBLY OF THE CENTER DIFF MOUNT
中差座組合



NO.5



42 ASSEMBLY OF THE CENTER DIFF MOUNT

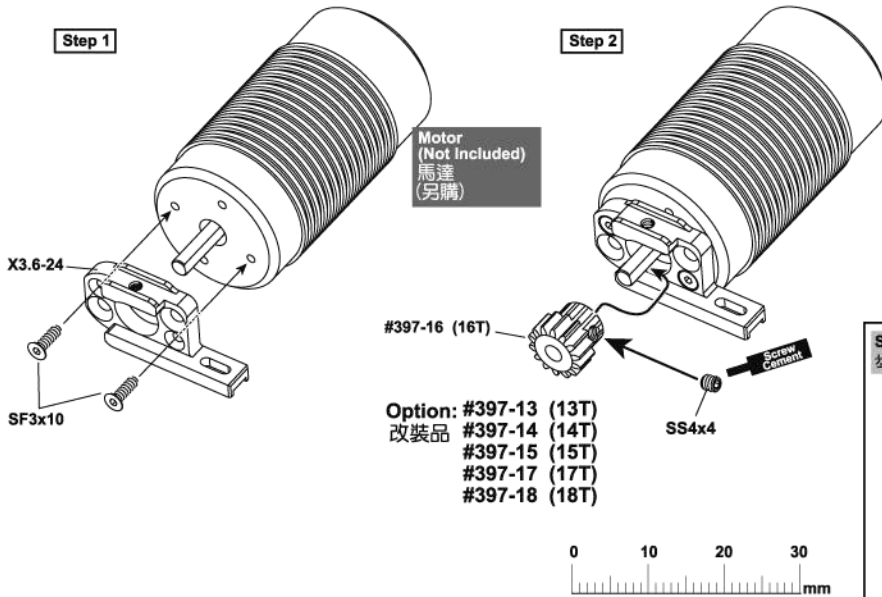
中差座組合



NO.5
NO.8

Step 1

Step 2



SF3x10mm
Flat Head Hex Screwx2
血頭內六角螺絲

SS4x4mm
Set Screwx1
止付螺絲

Step detail
步驟細節

*Approx. 12.8mm
*約 12.8mm

43 ASSEMBLY OF THE MOTOR MOUNT

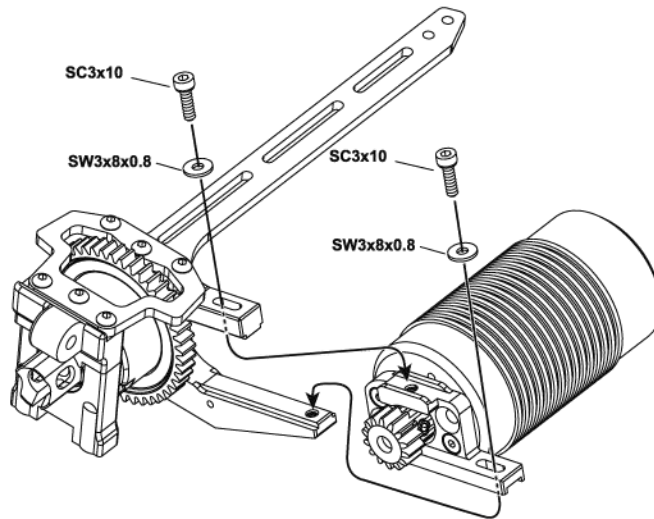
馬達座組合



SC3x10mm
Cap Screwx2
有頭內六角螺絲



SW3x8 x0.8
3x8x0.8mm
Washerx2
墊片



44 ASSEMBLY OF THE STONE GUARD

防塵板組合



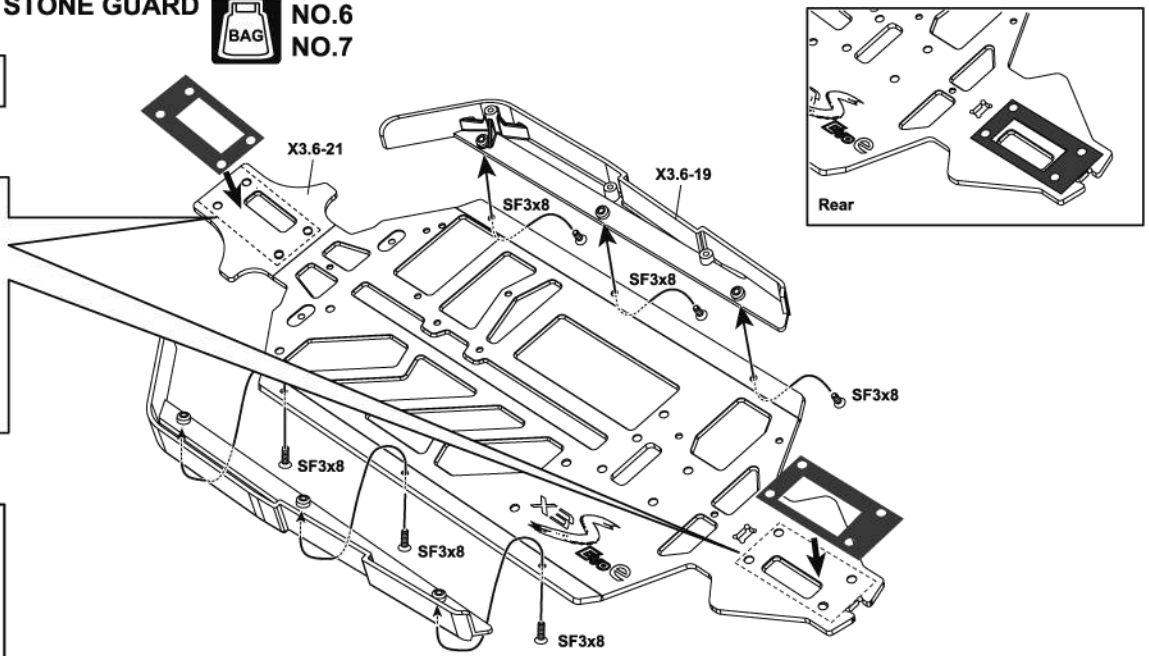
NO.6
NO.7

Assemble both right and left sides.
請組合左/右兩側。

X3-64

請將背膠紙撕開後黏合至底盤上
Tear off the paper before use.

SF3x8mm
Flat Head Hex Screwx6
血頭內六角螺絲

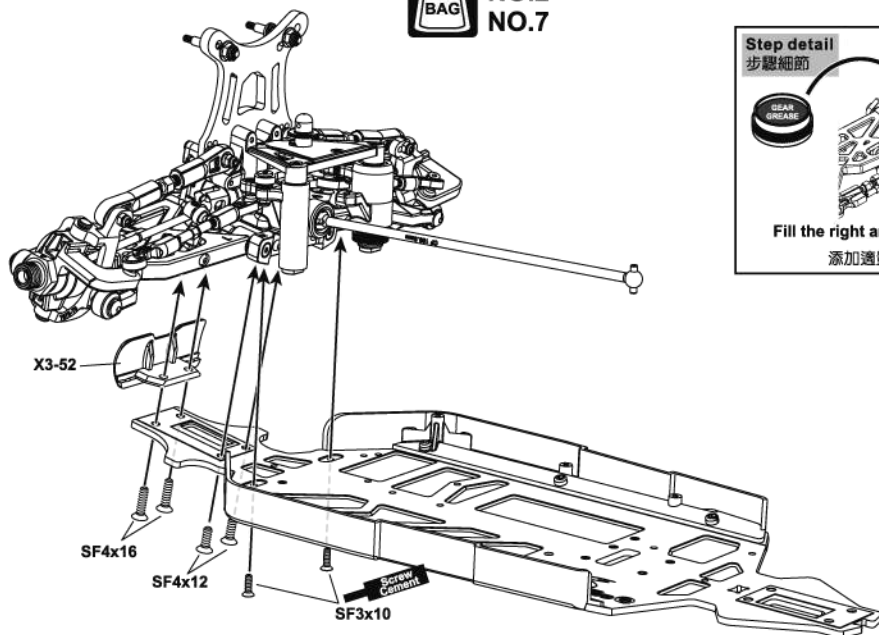
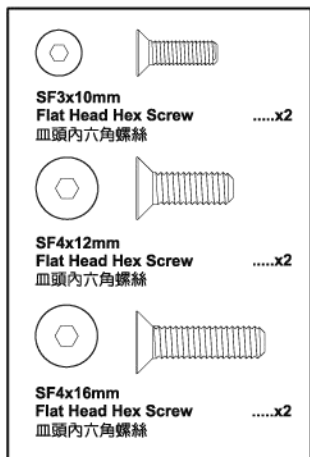


45 ASSEMBLY OF THE FRONT GEAR CASE ONTO CHASSIS

組合前齒輪箱至底盤



NO.2
NO.7

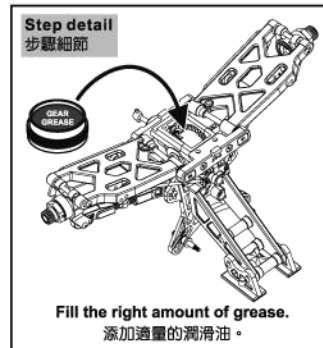
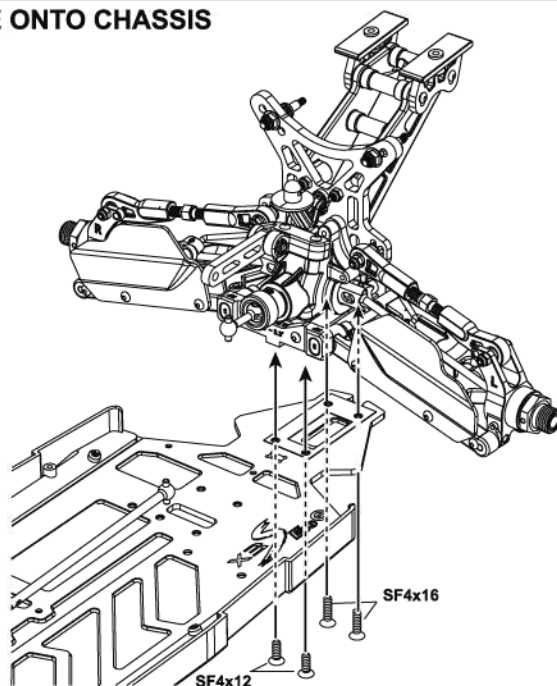
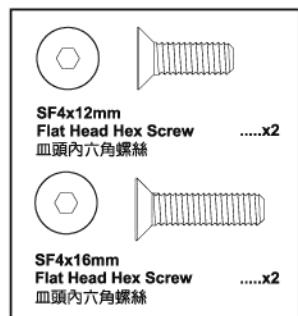


46 ASSEMBLY OF THE REAR GEAR CASE ONTO CHASSIS

組合後齒輪箱至底盤



NO.4

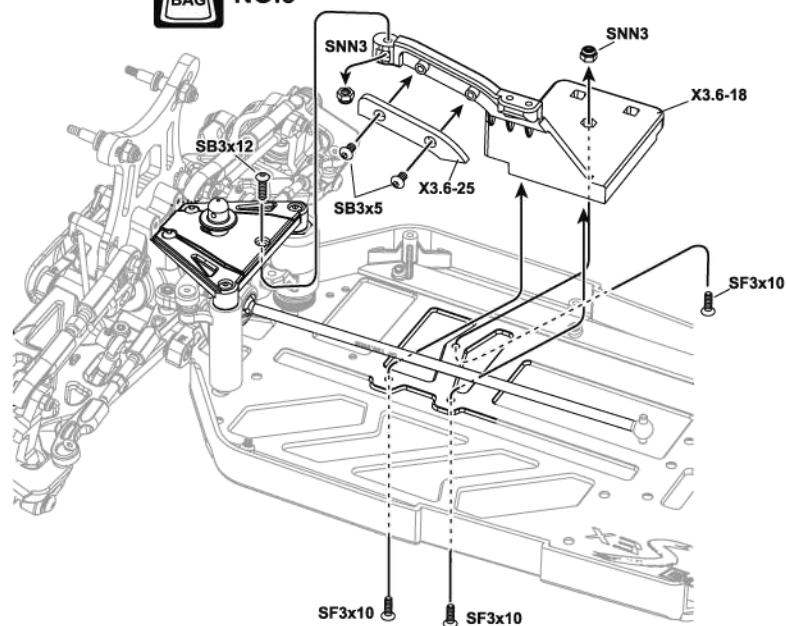
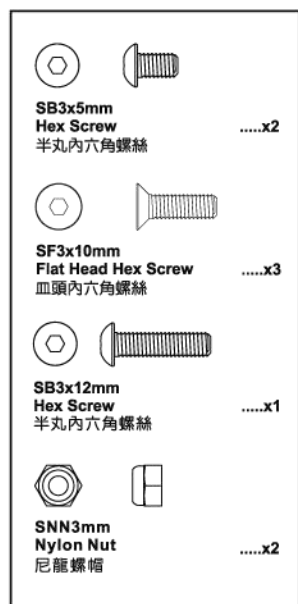


47 ASSEMBLY OF THE BRACE TO CHASSIS

組合前補強桿座至底盤



NO.5



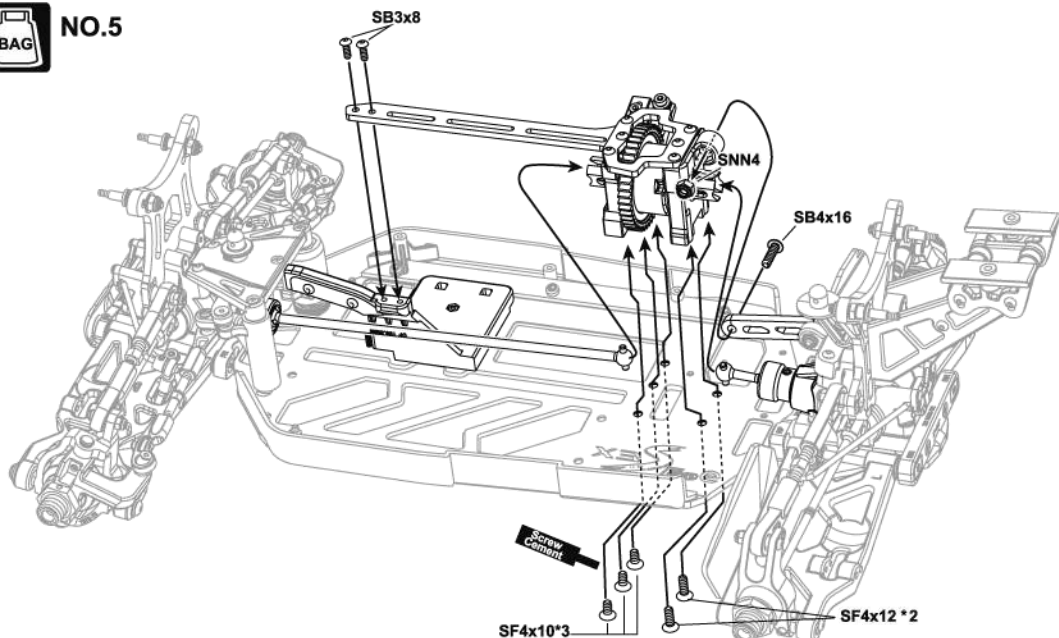
48 ASSEMBLY OF THE CENTER DIFF. ONTO CHASSIS

組合中差座至底盤



NO.5

-  SB3x8mm Hex Screwx2
半孔內六角螺絲
-  SF4x10mm Flat Head Hex Screwx3
扁頭內六角螺絲
-  SF4x12mm Flat Head Hex Screwx2
扁頭內六角螺絲
-  SNN4mm Nylon Nutx1
尼龍螺帽
-  SB4x16mm Hex Screwx1
半孔內六角螺絲



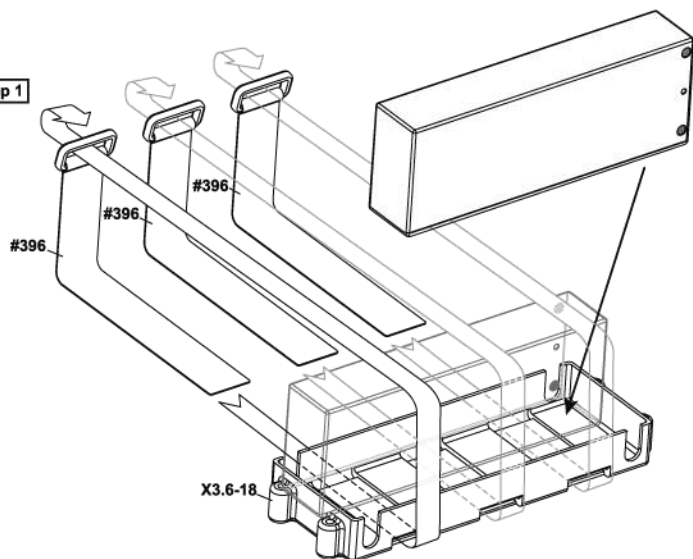
49 ASSEMBLY OF THE VELCRO BATTERY STRAPS INTO BATTERY CASE

組合魔術粘束帶至電池盒

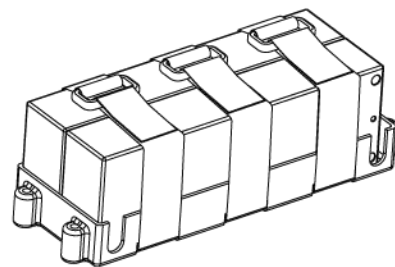


NO.8

Step 1



Step 2







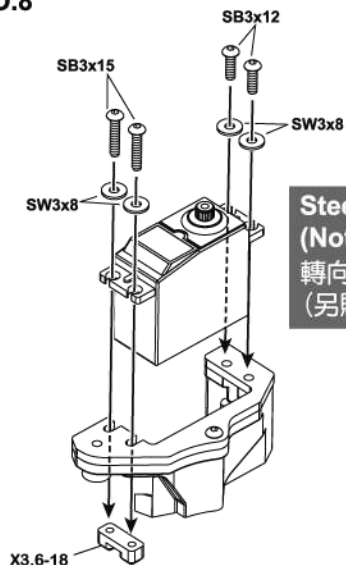
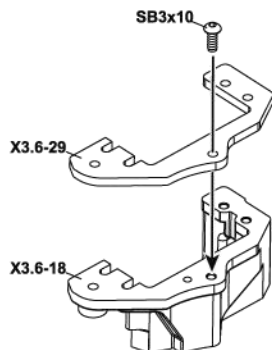
50 ASSEMBLY OF THE STEERING SERVO ONTO SERVO BASE

組合轉向伺服機至伺服機座



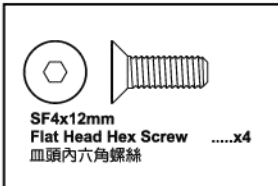
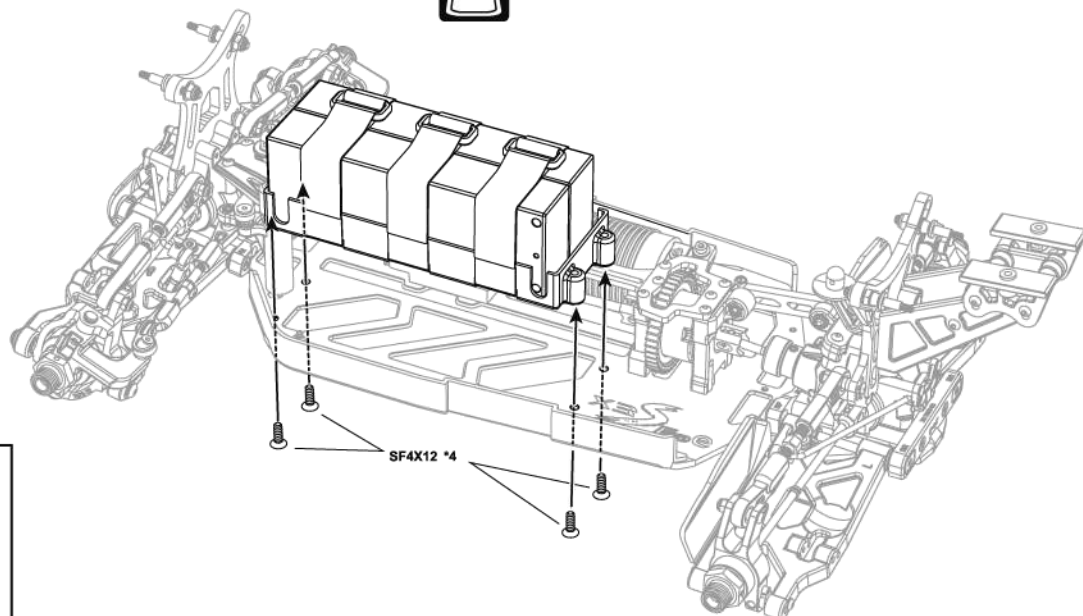
NO.8

-  SB3x10mm Hex Screwx1
半孔內六角螺絲
-  SB3x12mm Hex Screwx2
半孔內六角螺絲
-  SB3x15mm Hex Screwx2
半孔內六角螺絲
-  SW3x8x0.8mm Washerx4
墊片

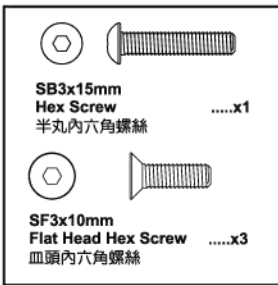
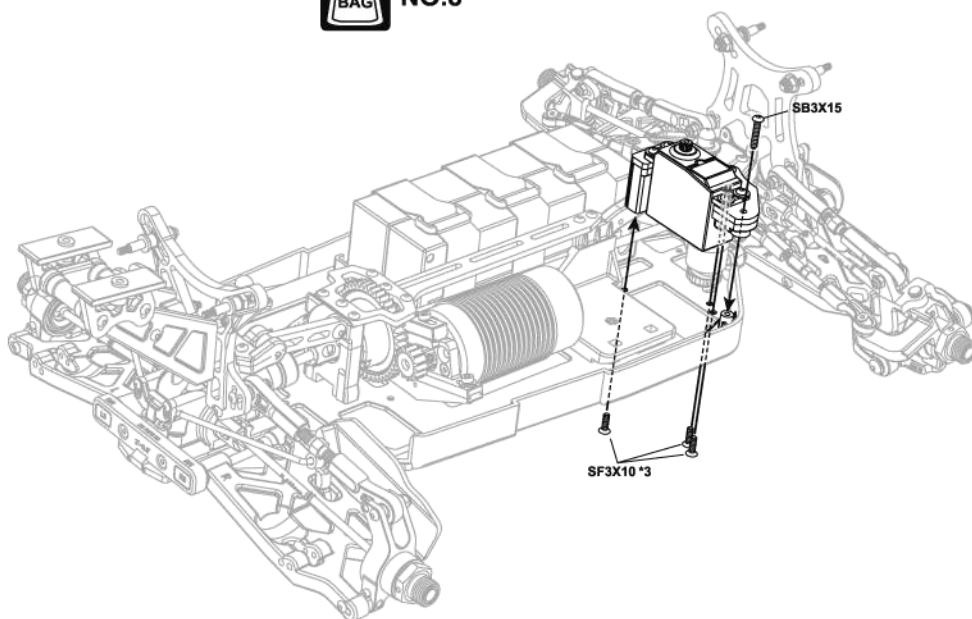


**Steering Servo
(Not Included)**
轉向伺服機
(另購)

51 ASSEMBLY OF THE BATTERY CASE ONTO CHASSIS  **NO.8**
組合電池盒至底盤

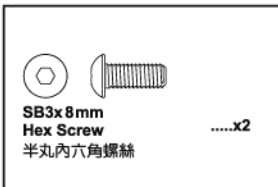
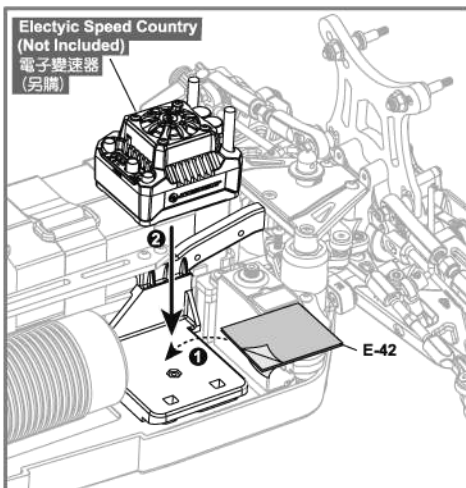


52 ASSEMBLY OF THE SERVO BASE ONTO CHASSIS  **NO.8**
組合伺服機座至底盤

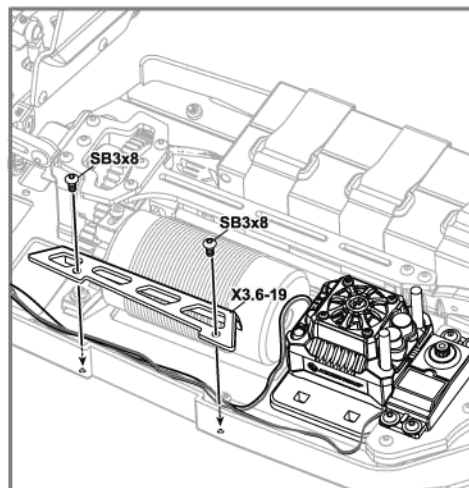


53 ASSEMBLY OF THE ELECTRIC SPEED CONTROL  **NO.6**
組合電子變速至電池盒

Step 1



Step 2



54 ASSEMBLY OF THE RECEIVER INTO RADIO CASE

組合接收機及接收機盒



NO.8



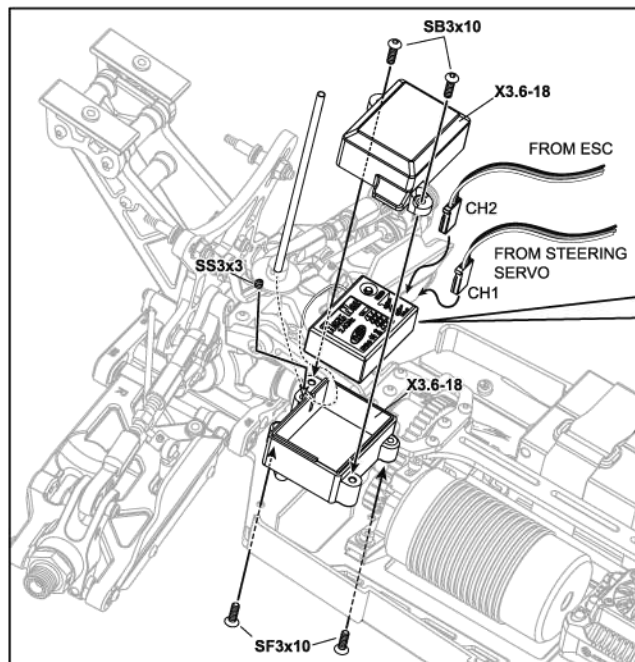
SB3x10mm
Hex Screw
半丸內六角螺絲x2



SS3x3mm
Set Screw
止付螺絲x1



SF3x10mm
Flat Head Hex Screw
平頭內六角螺絲x2



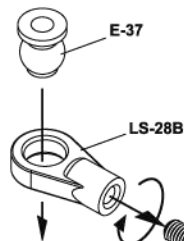
※ Plug in your speed controller wire to CH2 and steering servo wire to CH1 of your receiver.

※ 將電子變速器插頭插入 CH2插孔及轉向伺服機插頭插入 CH1插孔。

55 ASSEMBLY OF THE STEERING ROD ON STEERING SERVO

轉向拉桿組合

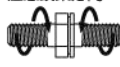
Step 1



Step detail

步驟細節

Note the locking direction!
注意鎖緊方向!

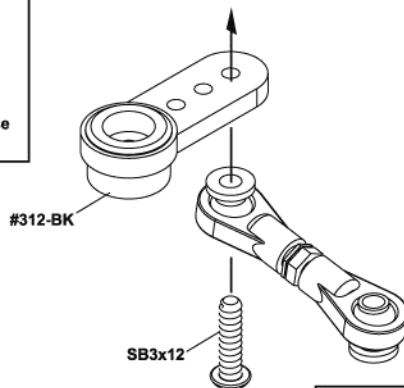


Clockwise
順時鐘正牙



Anti-Clockwise
逆時鐘反牙

Step 2



Step detail

步驟細節



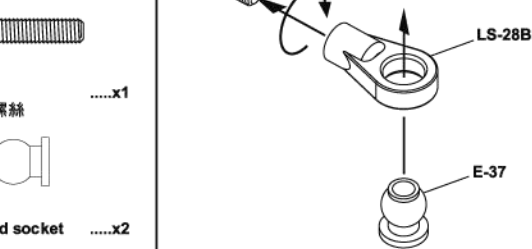
Use tools to tighten as shown.
如圖示使用工具鎖緊。



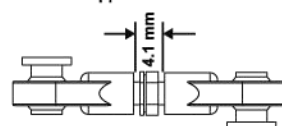
SB3x12mm
Hex Screw
半丸內六角螺絲x1



E-37
6mm Ball and socket
球型座x2

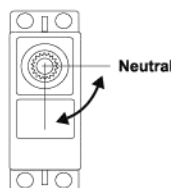


Approx. 4.1mm

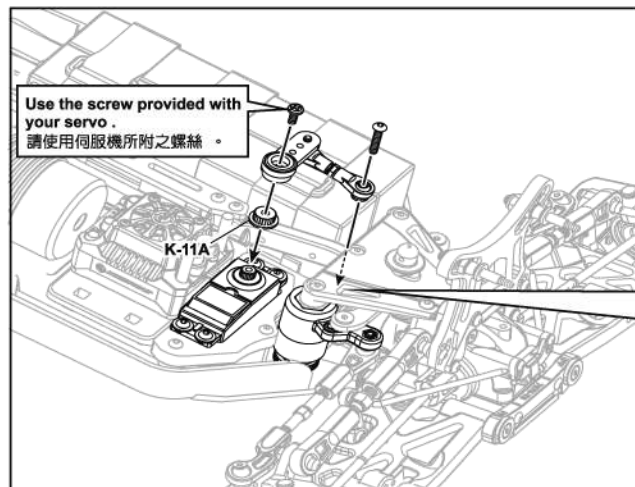


56 ASSEMBLY OF THE STEERING ROD ON STEERING SERVO

Make sure your steering servo at neutral position before assembly.
安裝前請先確認轉向伺服機是在中立位置。

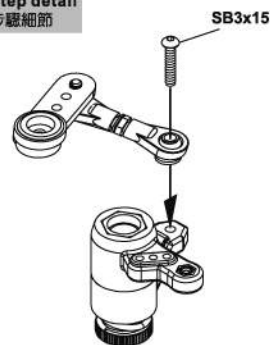


Use the screw provided with your servo.
請使用伺服機所附之螺絲。



Step detail

步驟細節



SB3x15mm
Hex Screw
半丸內六角螺絲x1

Sanwa/Airtronics JR Futaba HiTech



Choose the right servo horn adapter for your servo.
請選擇適用的伺服機轉接套。

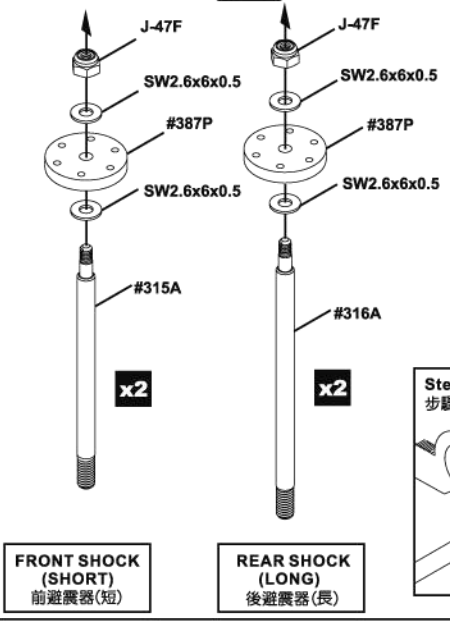
57 ASSEMBLY OF THE SHOCK SHAFTS



Assemble both left and right sides.
請組合左 / 右兩側。



- SNN2.6mm Nylon Nut 尼龍螺帽x2
- SW2.6x6x0.5mm Washer 墊片x4

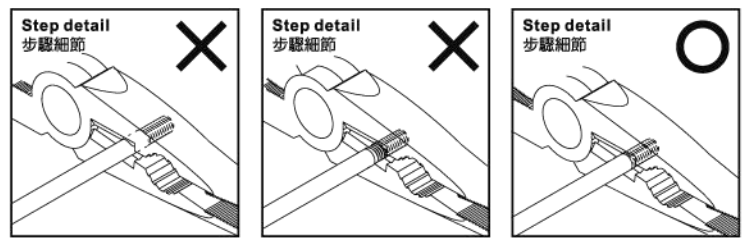


Step detail 步驟細節

- Hold the shock rod at its thread with side needle nosed pliers. 使用尖嘴鉗夾住避震軸心螺紋頂部。
- Be careful not to damage the shock rod. 小心不要夾傷避震軸心。

Do Not Over Tighten

Use tools to tighten as shown. 如圖示使用工具鎖緊。

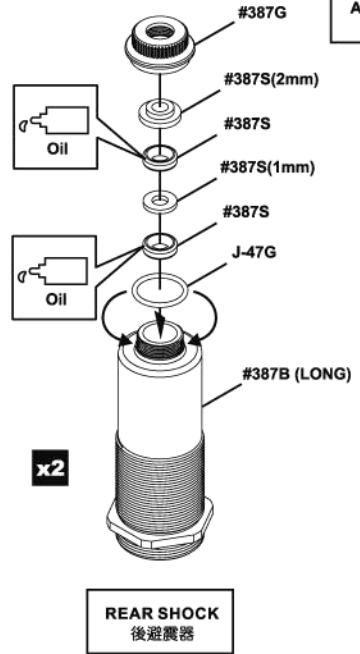
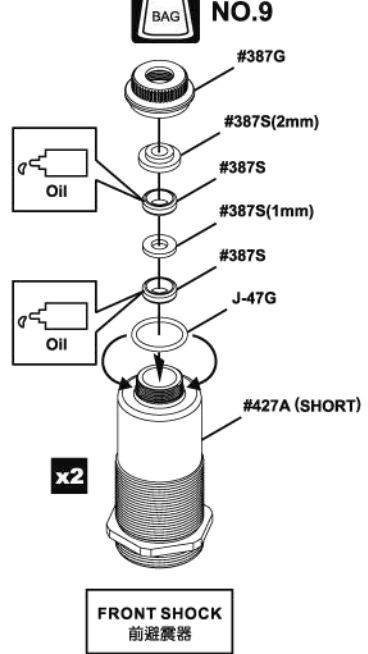


58 ASSEMBLY OF THE SHOCK O-RING



Assemble both left and right sides.
請組合左 / 右兩側。

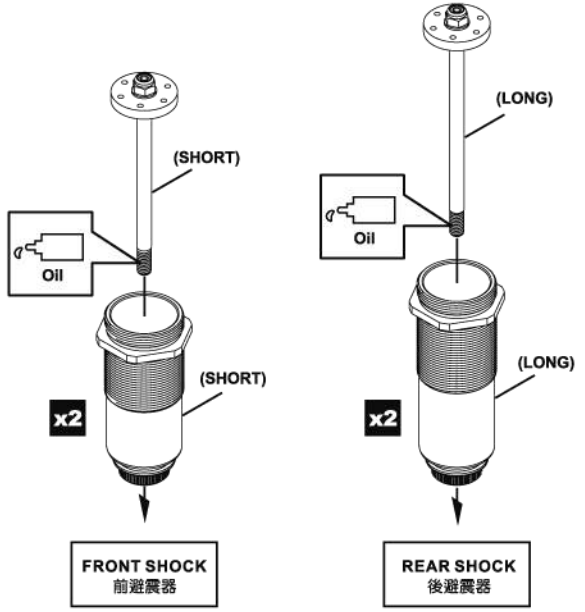
- #387S 1mm Washer 墊片x4
- #387S 2mm Washer 墊片x4
- #387S 3.5mm O-Ring O型環x8
- J-47G P10 O-RING O型環x4



59 ASSEMBLY OF THE SHOCK SHAFTS INTO SHOCK BODIES



Assemble both left and right sides.
請組合左 / 右兩側。



! EXTREMELY IMPORTANT 非常重要

Do not push the shock shaft straight down, O-ring can be damaged.
組裝時避震軸心不可直接穿過避震套筒底部；O型環可能會受損。

Slowly twist the shock shaft down to the bottom.
組裝時避震軸心應該旋轉穿過避震套筒底部。

60 ASSEMBLY OF THE SHOCK ADJUST RING 組合避震器

BAG NO.9

Assemble both left and right sides. 請組合左 / 右兩側。

Step 1

#387F
#378D-BK

Oil

Fit the o-ring into groove before assembly.
將O環預先裝入調整環的溝槽內

Step 2

Oil

x2

FRONT SHOCK
前避震器

REAR SHOCK
後避震器

#387F
19x1.5 O-RING
O型環x4

Step detail
步驟細節

TOP

61 ASSEMBLY OF THE SHOCK BALL END 組合避震器

BAG NO.9

Assemble both left and right sides. 請組合左 / 右兩側。

Step detail
步驟細節

31.5mm

40mm

Attention distance.
注意距離。

Step 1

A-41A
X3-50

Do Not Over Tighten

x2

FRONT SHOCK
前避震器

Step 2

A-41A
X3-50

Do Not Over Tighten

x2

REAR SHOCK
後避震器

A-41A
6mm Ball
球型x4

Step detail
步驟細節

10mm

Use tools to tighten as picture shown.
如圖示使用工具鎖緊。

62 SETTING THE SHOCK REBOUND TO 100% (HIGH REBOUND) 設置避震器反彈到 100% (高反彈)

BAG NO.9

Assemble both left and right sides. 請組合左 / 右兩側。

FRONT (SHORT) SHOCKS OIL #55
前(短)避震器油 #55

REAR (LONG) SHOCKS OIL #40
後(長)避震器油 #40

Step 4

#388
X3-29-BK

Step detail
步驟細節

SHOCK OIL

Step 1

Step 2

3~5x
UP & DOWN
上下拉動

Step 3

Time

Step 5

TIGHTENED HALF WAY 50%
鎖緊一半

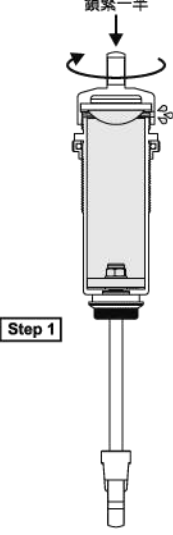
Step 6

TIGHTENED 100%
完全鎖緊

- Leave the filled shock vertically for several minutes with the shock shaft fully extended. 將避震軸心下拉到底垂直放置幾分鐘。
- The remaining air bubbles will release. 剩餘空氣氣泡會消散。

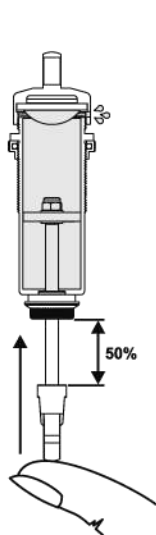
63 SETTING THE SHOCK REBOUND TO 50% & 0% (MEDIUM REBOUND & LOW REBOUND) 設置避震器反彈到 50% 與 0% (適中反彈與低反彈)

TIGHTENED HALF WAY 50%
鎖緊一半



Step 1

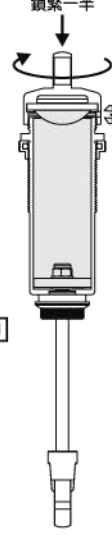
TIGHTENED 100%
完全鎖緊



Step 2

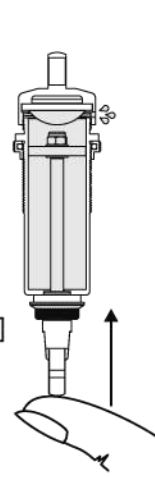
Step 3

TIGHTENED HALF WAY 50%
鎖緊一半



Step 1

TIGHTENED 100%
完全鎖緊



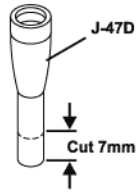
Step 2

Step 3

64 ASSEMBLY OF THE SHOCKS SPRING 組合避震器彈簧

BAG NO.9

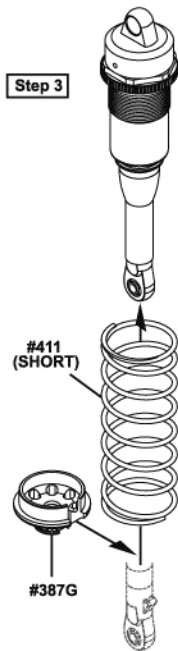
Step 1



Step 2



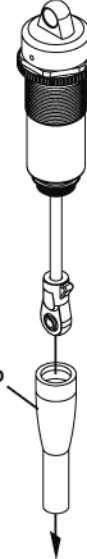
Step 3



FRONT SHOCK
前避震器

110mm

Step 1



Step 2



REAR SHOCK
後避震器

131mm

65 ASSEMBLY OF THE SHOCKS INTO THE SHOCK STAY 組合避震器至油壓架

SNN3 SW3x8x0.8



#374
This screw has LEFT THREAD

SNN3 SW3x8x0.8

X3-46

SB3x20



SNN3mm
Nylon Nut
尼龍螺帽x2



SW3x8x0.8
Washer
墊片x2



SB3x20mm
Hex Screw
半丸內六角螺絲x1



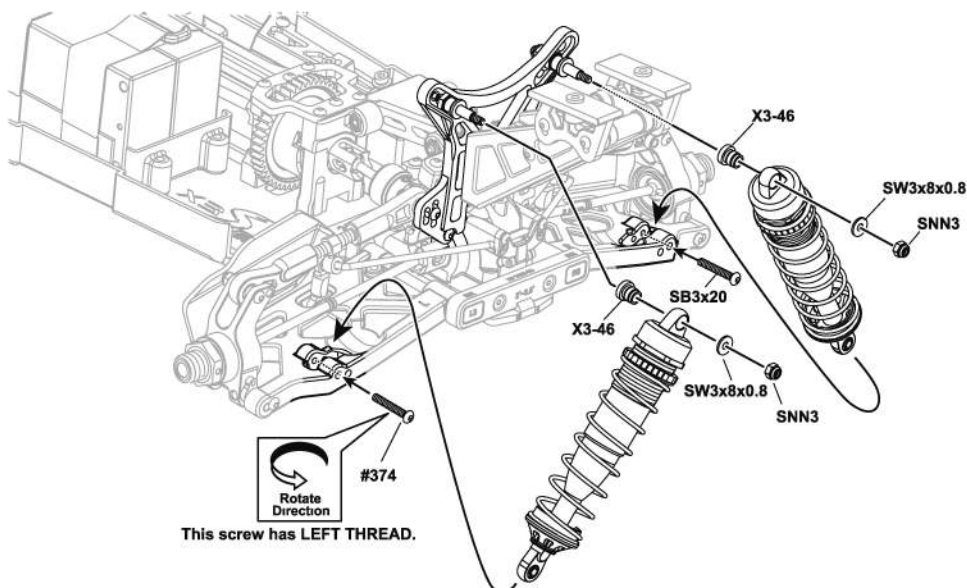
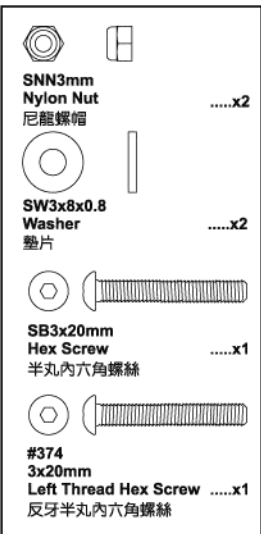
#374
3x20mm
Left Thread Hex Screwx1
反牙半丸內六角螺絲

66 ASSEMBLY OF THE SHOCKS INTO THE SHOCK STAY

組合避震器至油壓架



NO.9



67 ASSEMBLY OF THE TIRES AND WHEELS

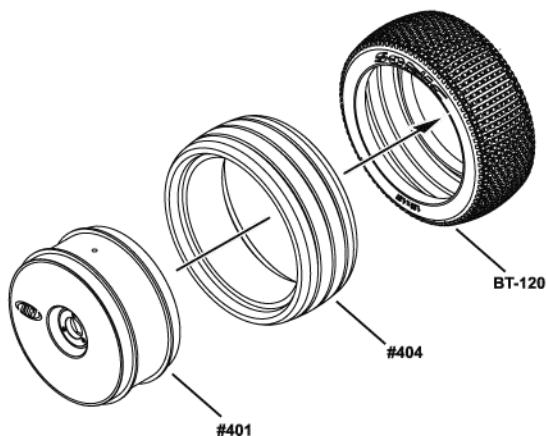
組合輪胎與輪框



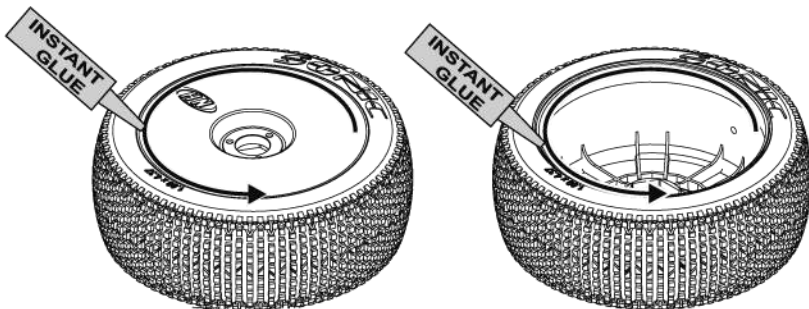
NO.12

Make four tires are the same.
請組合4個輪胎。

Step 1



Step 2



Step detail
步驟細節

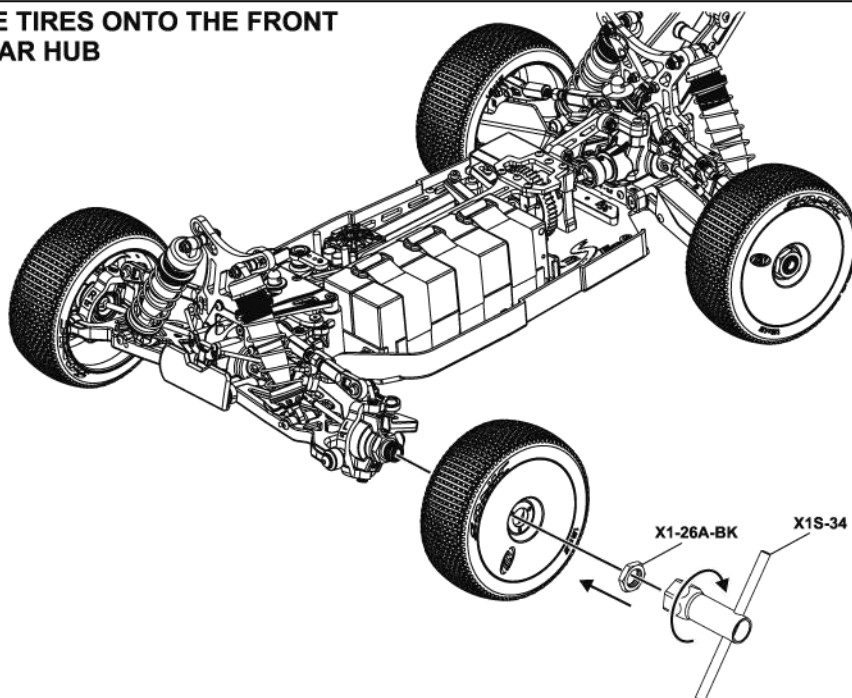


- Use "Instant glue" and draw a line a round the rim where it attaches the tire. When it is dry glue the other side of the rim.
請在輪圈與輪胎接合處用"瞬間膠水"粘合。並等其乾固之後再粘合另外一面。
- Repeat the step and ensure the rim and tire are fully glued.
請重複步驟確定輪胎與輪框完全粘合，以避免脫落。

68 ASSEMBLY OF THE TIRES ONTO THE FRONT KNUCKLE AND REAR HUB

組合輪胎至車體

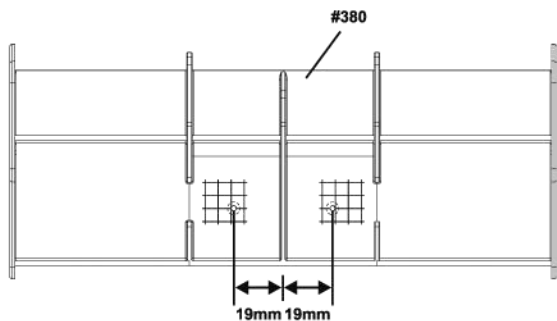
Assemble both left and right sides.
請組合左 / 右兩側。



X1-26A-BK Wheel Nutx4
 鋁六角螺帽

To tighten the Wheel Nut you can also use 17mm Wheel Nut Tool.(X1S-34)
 你可以使用17mm六角套筒板手鎖緊輪框螺帽。(X1S-34)

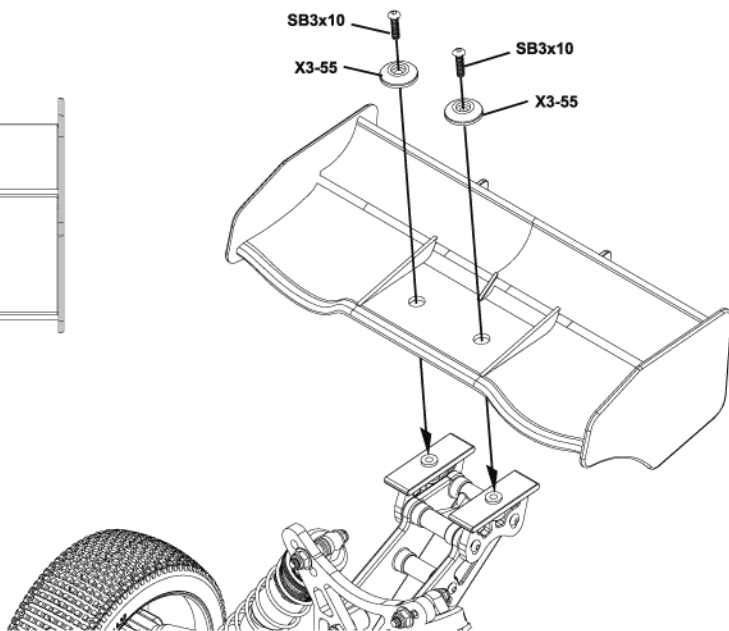
69 ASSEMBLY OF THE WING 組合定風翼



Drill two 7mm holes for mounting.
在圖示位置使用鑽孔器鑽出7mm孔。

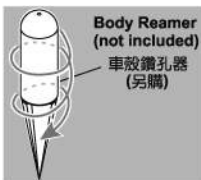
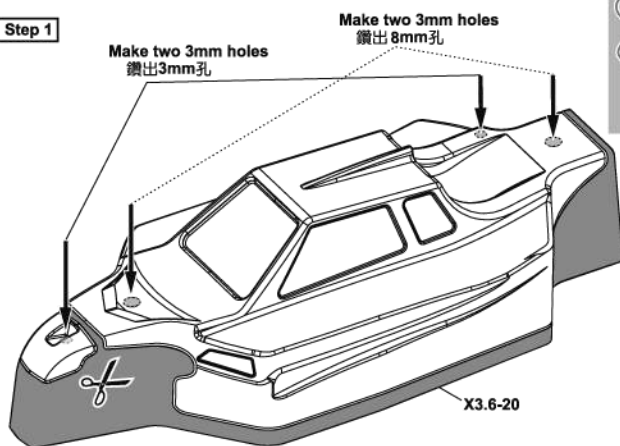


SB3x10mm
Hex Screw
半丸內六角螺絲x2



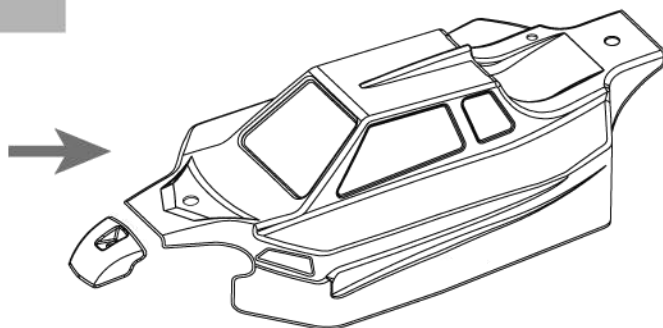
70 MAKING HOLES AND CUTTING ON THE BODY SHELL 鑽孔與剪裁車殼

Step 1



Body Reamer
(not included)
車殼鑽孔器
(另購)

Step 2

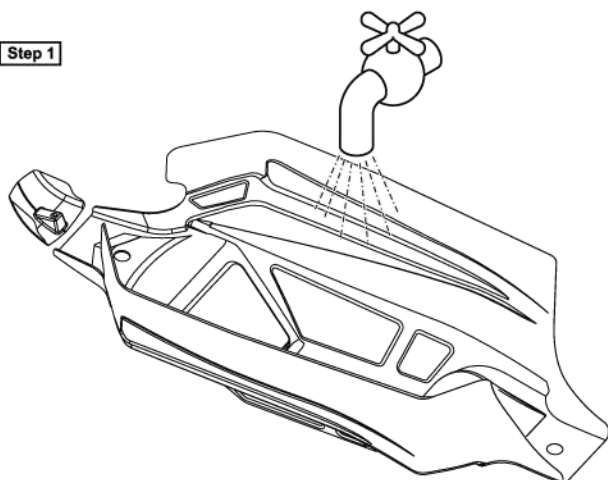


Make two 3mm holes and two 8mm holes on the body shell as show.
如圖示在車殼上鑽出2個3mm孔及2個8mm孔。

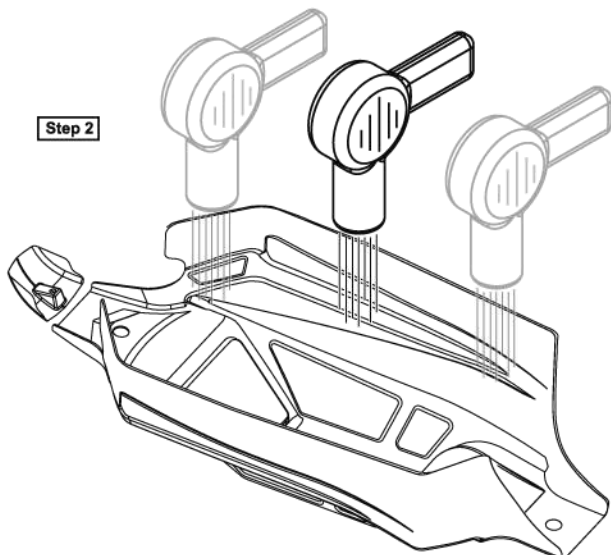
Cut the body shell as shown.
如圖示剪裁車殼。

71 WASH THE INSIDE OF THE BODY SHELL 清洗車殼內部

Step 1



Step 2

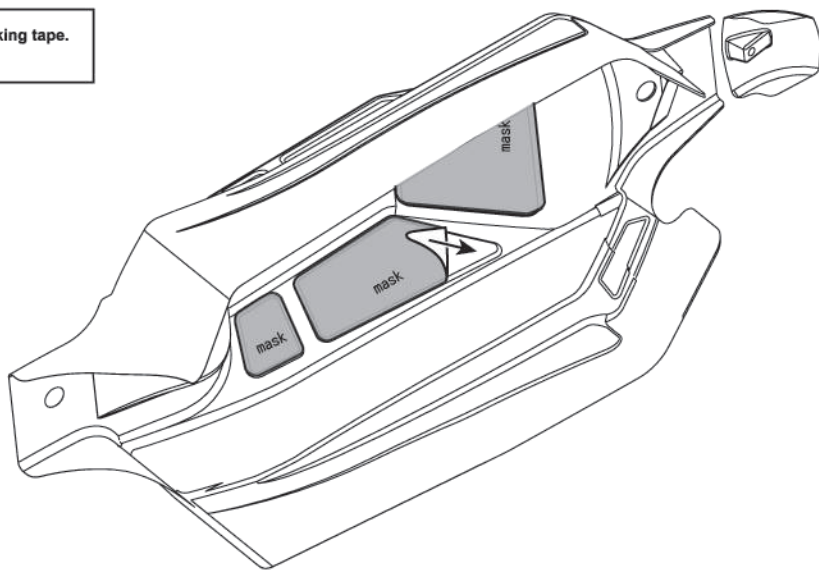


Wash the inside of the body shell with mild detergent,
and then rinse and dry thoroughly.
用中性清潔劑清洗車身內部，然後沖洗乾淨並充分烘乾。

72 PAINTING BODY SHELL

塗裝車殼

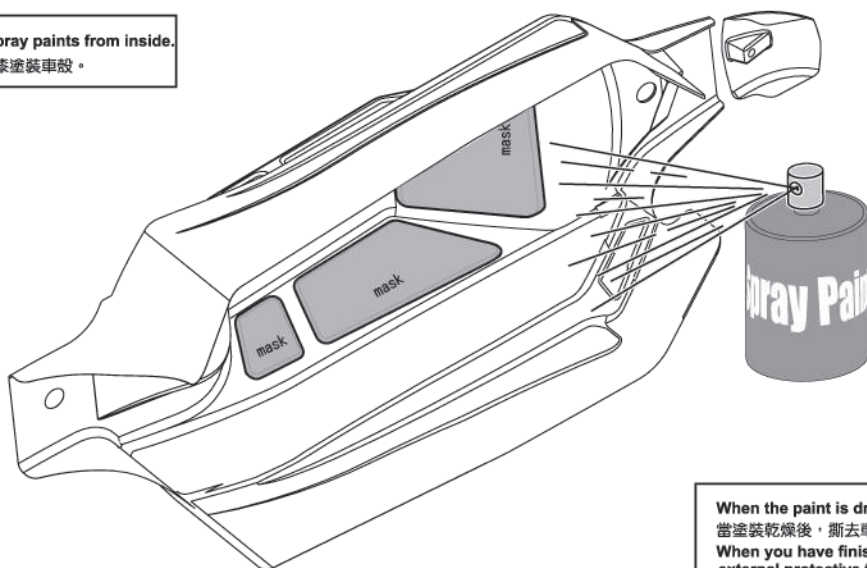
Mask the windows on the inside with masking tape.
使用車窗覆蓋紙由內面貼上車窗部份。



73 PAINTING BODY SHELL

塗裝車殼

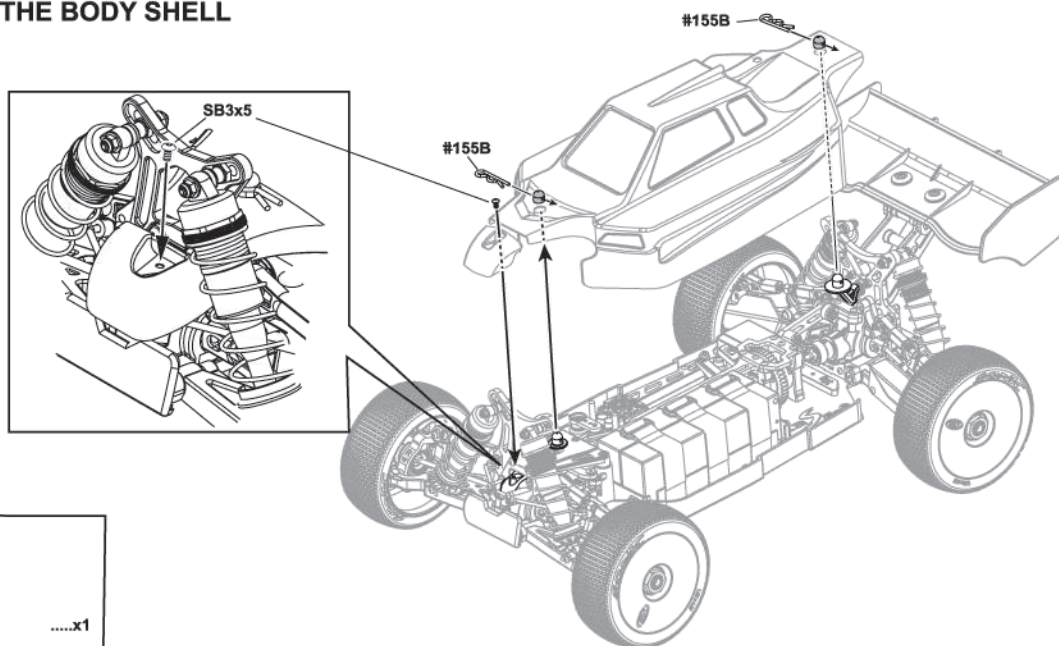
Paint the body with polycarbonate spray paints from inside.
由內面貼上彩繪貼紙再使用車殼專用噴漆塗裝車殼。



When the paint is dry, remove the masking tape.
當塗裝乾燥後，撕去車窗覆蓋紙。
When you have finished painting, peel off the external protective films.
當完成塗裝後，撕去外部保護膜。

74 MOUNTING THE BODY SHELL

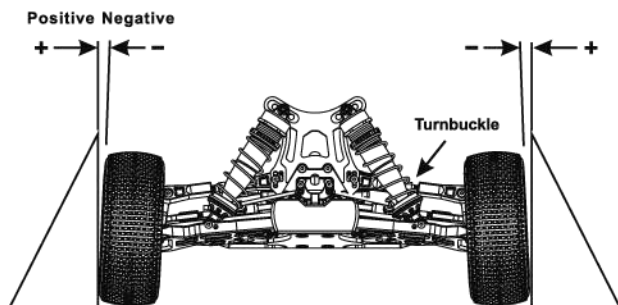
安裝車殼



SB3x5mm
Hex Screw
半孔內六角螺絲

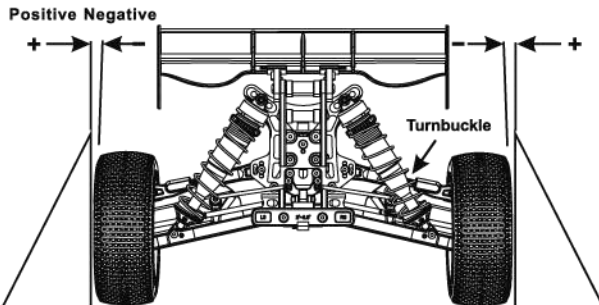
.....x1

FRONT CAMBER ANGLE SETTING

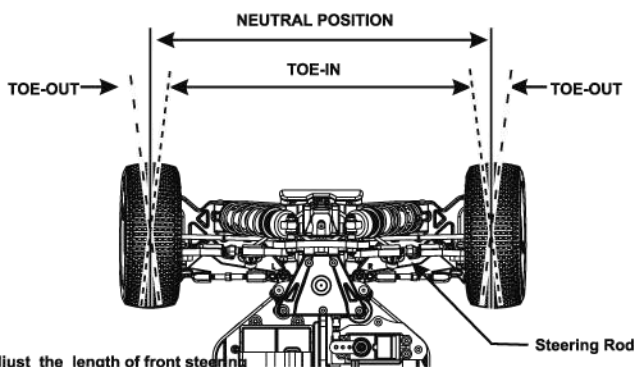


- Place the model car on flat surface. Raise the chassis to its maximum clearance before the wheels leave the ground.
 - Adjust the length of the front and rear upper arms so that the wheels are vertical to the ground.
 - Adjust the camber angle by turning the turnbuckle rod on the upper arms clockwise or anti-clockwise.
- (We suggest to use zero degree for the front and 1.5 degree negative for the rear.)

REAR CAMBER ANGLE SETTING



FRONT TOE-IN AND TOE-OUT SETTING



- Adjust the length of front steering rod to change the toe angle.
- Making the tie rod longer will make front tires toed in.
- Response will be slower and may over steer.
- Making the tie rod shorter will make front tires toed out.
- Response will be quicker and may under steer.

REAR WHEELBASE

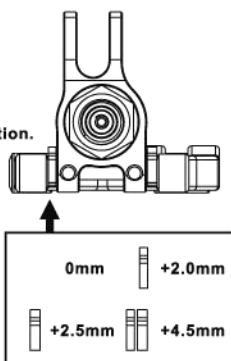
Adjust the wheelbase by using the spacers on either side of the rear wheel hub (at the bottom pin). **IMPORTANT!** Make equal adjustments on both left and right sides of the car.

Shorter wheelbase

- less spacers in front of the rear wheel hub.
- increases rearward weight transfer during acceleration.
- increases on-power traction.
- quicker off-power steering into corners.
- slight tendency to push on-power at corner exit.
- increases steering response.
- better on tighter, more technical tracks.

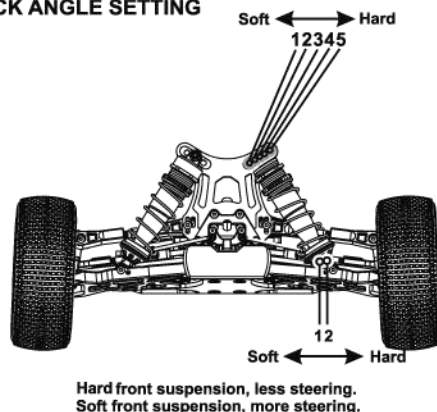
Longer wheelbase

- more spacers in front of the rear wheel hub.
- decreases off-power steering into sharp corners.
- increases stability.
- slower initial steering reaction (off-power).
- improves on-power steering at corner exit.
- better handling over bumps and ruts.
- better on more open tracks with high-speed corners.

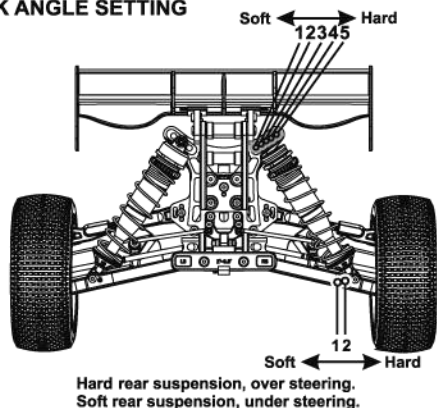


- Different shock positions will result in harder or softer response of the suspension system.
- Install the shock in an inward angle will cause softer rebound. Softer or harder suspension system will lead to different steering response.
- Adjust the shock angle positions according to track conditions.

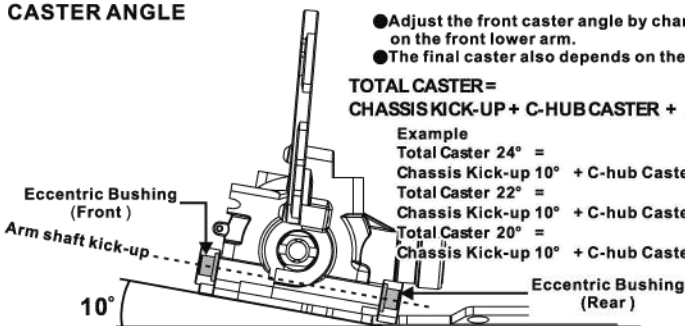
FRONT SHOCK ANGLE SETTING



REAR SHOCK ANGLE SETTING



CASTER ANGLE



- Adjust the front caster angle by changing the "Eccentric Bushing" on the front lower arm.
- The final caster also depends on the kick-up setting.

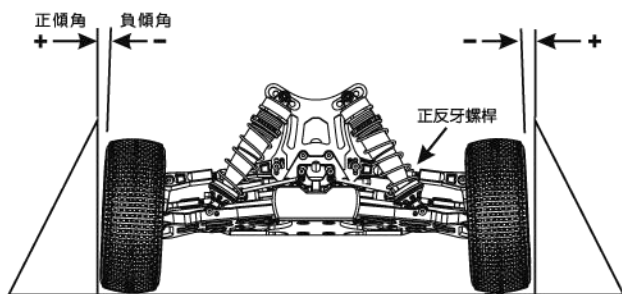
TOTAL CASTER = CHASSIS KICK-UP + C-HUB CASTER + ARM SHAFT KICK-UP

Example
 Total Caster 24° = Chassis Kick-up 10° + C-hub Caster 12° + Arm Shaft Kick-up +2°
 Total Caster 22° = Chassis Kick-up 10° + C-hub Caster 12° + Arm Shaft Kick-up 0°
 Total Caster 20° = Chassis Kick-up 10° + C-hub Caster 12° + Arm Shaft Kick-up -2°

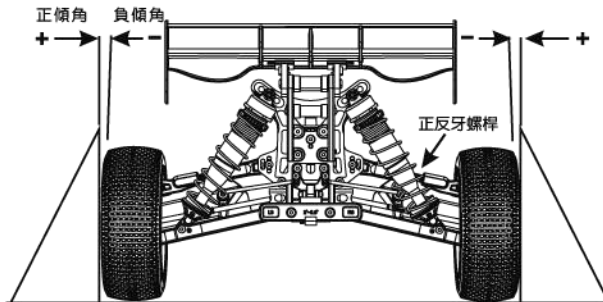
Front Eccentric Bushing	Arm shaft Kick-up	Rear Eccentric Bushing	
⊙ 1°	+2°	1° ⊙	
⊙ 0.5°	+1.5°	1° ⊙	
⊙ 1°	+1°	0° ⊙	
⊙ 0.5°	+0.5°	0° ⊙	
⊙ 0°	0°	0° ⊙	
⊙ 0°	-0.5°	0.5° ⊙	
⊙ 0°	-1°	1° ⊙	
⊙ 1°	-1.5°	0.5° ⊙	
⊙ 1°	-2°	1° ⊙	

Caster angle	Characteristics
Less caster	Increases off-power steering into a corner. Decreases on-power steering out of and in a corner. Decreases straight-line stability.
More caster	Decreases off-power steering into a corner. Increases on-power steering out of and in a corner. Increases straight-line stability.

前胎輪傾角調整



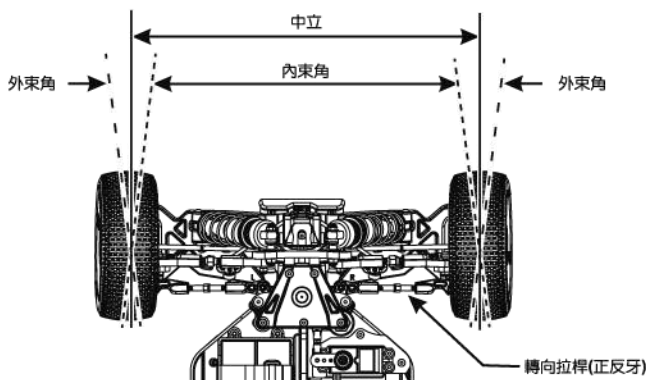
後胎輪傾角調整



- 將車體放置在平整桌面上並保持在正確離地高度。調整上擺臂長度使輪胎與地面垂直(0度)。
- 調整上擺臂“正反牙螺桿”長度可改變正負傾角設定。加長上擺臂--傾角變為--正傾角。縮短上擺臂--傾角變為--負傾角。

(我們建議前輪為0度，後輪為負1.5度。)

前輪內束角/外束角 調整

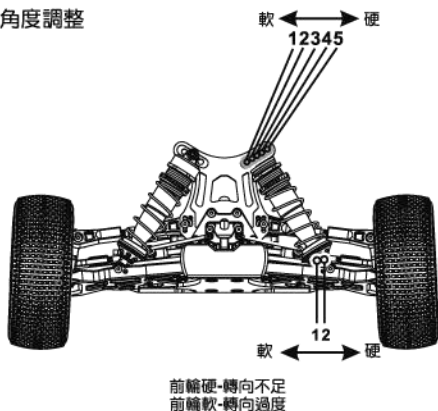


改變前輪轉向拉桿之長度可以改變前輪“內束角”與“外束角”。

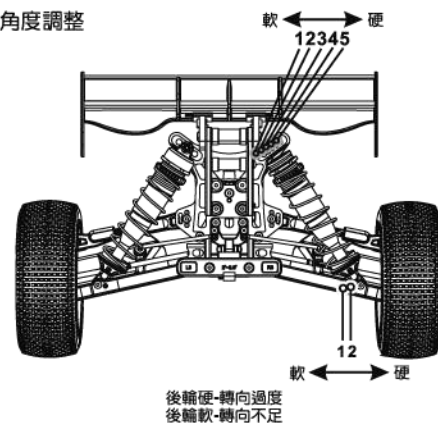
1. 將前輪轉向拉桿加長，前輪會變成向內束角。此時轉向反應會變慢，並且有轉向過度情形產生。
2. 將前輪轉向拉桿變短，前輪會變成向外束角。此時轉向反應會變快，並且有轉向不足情形產生。

- 油壓避震器會因安裝在不同位置，而會使懸吊系統產生不同硬軟變化。
- 油壓避震器裝配位置愈往車體中心，懸吊反應變軟。前輪懸吊系統軟硬不同，會產生不同轉向特性。
- 油壓避震器按裝孔位，請依場地不同而調整在不同位置。

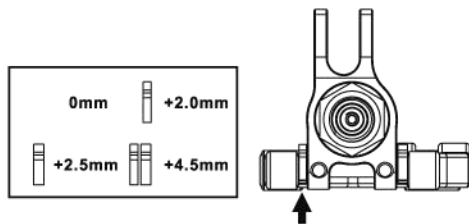
前油壓避震器角度調整



後油壓避震器角度調整



後輪軸距



- 透過使用在後輪座的插扣來調整軸距。
- 重要事項：後輪座右左邊的插扣必需相同。

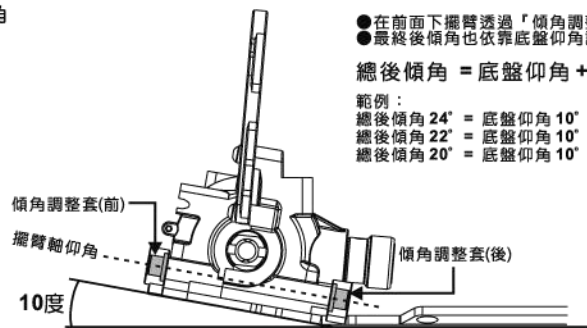
短軸距

- 在後輪座的前方減少插扣。
- 在加速時增加重心向後移動。
- 油門開啟時增加抓地力。
- 油門關閉時轉向會進彎角較靈敏。
- 油門開啟時出彎有輕微的轉向不足。
- 增加轉向反應。
- 對於緊急彎與技術性跑道有較好操控性。

長軸距

- 在後輪座的前方增加插扣。
- 減少加速度時重心向後移動。
- 增加行車穩定性。
- 最初操控反應緩慢(油門關閉時)。
- 改善油門開啟時的出彎性。
- 在不良起伏及凹凸路面有較好操控性。
- 在較寬及高速彎角跑道有較好的控制性。

後傾角



- 在前面下擺臂透過“傾角調整套”調整前面後傾角。
- 最終後傾角也依靠底盤仰角設定。

總後傾角 = 底盤仰角 + C型座後傾角 + 擺臂軸仰角

範例：

- 總後傾角 24° = 底盤仰角 10° + C型座後傾角 12° + 擺臂軸仰角 +2°
- 總後傾角 22° = 底盤仰角 10° + C型座後傾角 12° + 擺臂軸仰角 0°
- 總後傾角 20° = 底盤仰角 10° + C型座後傾角 12° + 擺臂軸仰角 -2°

後傾角	特性
較少的後傾角	<ul style="list-style-type: none"> ● 油門關閉時增加轉向進彎反應。 ● 油門開啟時降低進彎與出彎反應。 ● 降低直線加速穩定性。
較多的後傾角	<ul style="list-style-type: none"> ● 油門關閉時降低轉向進彎反應。 ● 油門開啟時增加進彎與出彎反應。 ● 增加直線加速穩定性。

傾角調整套(前)	擺臂軸仰角	傾角調整套(後)	傾角
⊙ 1°	+2°	⊙ 1°	24°
⊙ 0.5°	+1.5°	⊙ 1°	23.5°
⊙ 1°	+1°	⊙ 0°	23°
⊙ 0.5°	+0.5°	⊙ 0°	22.5°
⊙ 0°	0°	⊙ 0°	22°
⊙ 0°	-0.5°	⊙ 0.5°	21.5°
⊙ 0°	-1°	⊙ 1°	21°
⊙ 1°	-1.5°	⊙ 0.5°	20.5°
⊙ 1°	-2°	⊙ 1°	20°



1/8 ELECTRIC POWERED BUGGY PRO KIT

SET-UP SHEET

AIR TEMP F° C°

LAPS

BEST LAP TIME in LAP

TRACK SIZE
 OPEN MEDIUM TIGHT

TRACK TRACTION
 HIGH MEDIUM LOW

DIFFERENTIAL OIL

FRONT	CENTER	REAR
<input type="checkbox"/> STD	<input type="checkbox"/> STD	<input type="checkbox"/> STD
<input type="text"/>	<input type="text"/>	<input type="text"/>

OIL wt.

FRONT	CENTER	REAR
<input type="text"/>	<input type="text"/>	<input type="text"/>

GEARING

SPUR GEAR T

PINION GEAR T

TIRES

FRONT TYPE

COMPOUND

INSERT FOAM

REAR TYPE

COMPOUND

INSERT FOAM

ELECTRIC MOTOR

TURN /

RPM

KV

BRAND

ELECTRIC SPEED CONTROLLER

BRAND

TYPE

FRONT

STEERING BAR
 A B C

STEERING KNUCKLE ARM
 PLASTIC
 ALUM

FRONT SPINDLE CARRIERS
 PLASTIC
 ALUM

FRONT SPINDLE CARRIERS CASTER
 20°
 22°
 24°

TOTAL CASTER

<input type="checkbox"/> 18°	<input type="checkbox"/> 22.5°
<input type="checkbox"/> 18.5°	<input type="checkbox"/> 23°
<input type="checkbox"/> 19°	<input type="checkbox"/> 23.5°
<input type="checkbox"/> 19.5°	<input type="checkbox"/> 24°
<input type="checkbox"/> 20°	<input type="checkbox"/> 24.5°
<input type="checkbox"/> 20.5°	<input type="checkbox"/> 25°
<input type="checkbox"/> 21°	<input type="checkbox"/> 25.5°
<input type="checkbox"/> 21.5°	<input type="checkbox"/> 26°
<input type="checkbox"/> 22°	

SHOCK

SHOCK LENGTH mm

OIL wt.

PISTON

SPRING

SHOCK LENGTH

INSERT NR.

INSERT NR.

REAR

WHEEL HUB
 0
 +1.9mm

REAR HUB
 PLASTIC
 ALUM

WHEELBASE SHIMS

<input type="checkbox"/> 0mm	<input type="checkbox"/> 2mm
<input type="checkbox"/> 2.5mm	<input type="checkbox"/> 4.5mm

SHOCK

SHOCK LENGTH mm

OIL wt.

PISTON

SPRING

SHOCK LENGTH

INSERT NR.

INSERT NR.

X3S EVO e Electric Parts List

Item	Description	Qn'ty	Item	Description	Qn'ty
A-34B	Stabilizer Ball End	2	X3-47	Steering Knuckle Arm L,R	1
A-41A	6mm Ball	6	X3-49	Body Post/Center Brace	1
BT-120	1/8 Buggy SONIC Tire, w/ Foam Insert	2	X3-50	Plastic Rod End	1
E-21	M3 x 15 Turnbuckle	2	X3-51	Servo Saver Set/Front Top Deck	1
E-37	6mm Ball & Socket	6	X3-52	Front Bumper/Rear Mud Guard	1
E-42	Double-side Tape	2	X3-53	Rear Lower Arms L,R	1
E-43	5x11x4 Ball Bearing	8	X3-55	Rear Wing Mount	1
G-19	4x46 Turnbuckle	4	X3-61	8x14 Ball Bearing	4
G-25	7mm Ball	6	X3-62	13x20 Ball Bearing	4
G-26	5x35 Turnbuckle	2	X3-64	Gear Box Dust Seal	2
J-03A	P-6 O-Ring	2	X3.6-04	CNC 7075-5mm Front Shock Tower	1
J-20	Diff Bevel Gear Shim 13x16x0.2mm	4	X3.6-05	CNC 7075-5mm Rear Shock Tower	1
J-47D	Shock Shaft Dust Covers	4	X3.6-07	4x67.6mm Arms Shaft	2
J-47G	10x1mm O-Ring	4	X3.6-18	ESC / Battery / Servo Holder	1
JS-14B	6x10 Ball Bearing	4	X3.6-19	Side Guard R.L	1 set
K-11A	Insert for Servo Saver	1 set	X3.6-20	PC Clear Body	1
LS-28B	Plastic Rod End	4	X3.6-21	CNC 7075-3mm Light Weight Chassis	1
MK-18-BK	4mm Flange Nut, Black	4	X3.6-22	Center CVD Drive Shaft Set (Front) 186.5mm	1 set
X1-26-BK	17mm Wheel Hub	2	X3.6-22A	Center CVD Drive Shaft (Front) 186.5mm	1
X1-26A-BK	17mm Wheel Nut	2	X3.6-23	Center CVD Drive Shaft Set(Rear)29.1mm	1 set
X1-27	Knuckle Arm Bushing	4	X3.6-23A	Center CVD Drive Shaft (Rear)29.1mm	1
XT-31	Plastic Center Diff. Mount	1	X3.6-24	CNC Motor Mount (2pcs)	1 set
X3-01	Spiral Bevel Gear 43t	1	X3.6-25	Carbon Fiber Front Brace	1
X3-02	Spiral Bevel Gear 13t	1	X3.6-26	Carbon Fiber Upper Upper Brace	1
X3-03	Diff. Gear 10Tx4, 20Tx2	1set	X3.6-27	Carbon Fiber C/F Diff Set	1 set
X3-04	Front CVD Universal Joint Set 107.5mm	1 set	X3.6-28	Carbon Fiber Rear Brace	1
X3-04A	Front CVD Drive Shaft 107.5mm	2	X3S-04	Diff. Cap Joint (Lightweight)	2
X3-05	Rear CVD Universal Joint Set 105mm	1 set	X3S-06	CNC 7075 Suspension Bracket FF	1
X3-05A	Rear CVD Drive Shaft 105mm	2	X3S-07	CNC 7075 Suspension Bracket FR	1
X3-06	Drive Shaft Insert / 2.5 x12.8 Pin	4	X3S-10	Center CVD Cap Joint	1
X3-07	CVD Wheel Axle	2	X3S-14	CNC Rear Hub, W/Bearing	1 set
X3-08	Front Anti-roll Bar 2.3mm, black	1	X3S-17D	46T Plastic Spur Gear / Diff Gasket	1
X3-09	Rear Anti-roll Bar 2.3mm, black	1	X3S-20	CNC C Hub, 12 Degree	1 set
X3-12	4x66mm Arms Shaft	2	X3GT-11	Servo Saver Spring - Hard	1
X3-13	3.5 x 45.8 Rear Hub Shaft	2	X3GT-03A	CNC Suspension Bracket, RF	1
X3-14	Steering King Pin	4	X3GT-03B	CNC Suspension Bracket, RR	1
X3-15	Front Arm Bushing	4	#155B	Body Clips	4
X3-16	Servo Saver Post	2	#267D	8x16 Ball Bearing	8
X3-17	Alum. Servo Saver Tube	1	#267E	2.5 x 17 Pin	4
X3-19-BK	Servo Saver Adjuster /12 x 1.7 Oring, Black	1set	#312BK	Universal Servo Horn (BLACK)	1 set
X3-20-BK	Servo Saver Connecting Plate B, Black	1	#315A	Shock Shafts (front)	2
X3-21	Servo Saver Screws	2	#316A	Shock Shafts (rear)	2
X3-22	Servo Saver Bushing	2	#363	Alum. Diff Cross Pin (Hard-Coated)	6
X3-29-BK	16mm Shock Top Alum., Black	4	#380w	1/8 Buggy Hi-Force Wing (White, balck yellow, red, Orange)	1
X3-30	Shock Mount	4	#387B	16mm Rear Shock Body	2
X3-31	7x8.5mm Ball & Socket	4	#387D-BK	16mm Shock Spring Adjuster, Black	4
X3-32	7x12mm Ball & Socket	4	#387F	19 x 1.5mm O-Ring	4
X3-34	2.5x11.8 Pins	10	#387G	Plastic Shock Spring Holder	1set
X3-35	2.5 x12.8 Pins	10	#387P	16mm Shock Piston	1
X3-38	Diff Gasket 31x20x0.3	3	#387S	Repair Kit for #387	1
X3-40	4x10 Round Head Set Screw	4	#388	16mm Pressure Top (Orange)	4
X3-43	Diff. Case (F&R)	1	#396	Battery Straps, Black	3
X3-44	Gear Case	1	#397-16T	16T Pinion Gear 5mm, M1	1
X3-45	Front Lower Arms L,R	1	#401W	84mm Dish Wheel, White 4 pcs	4
X3-46	Suspension Bracket Inserts	1	#427A	16mm Shock Body (Short) 46.75mm	1

X3S EVO e 電車版零件表

編號	品名	數量	編號	品名	數量
A-34B	防傾桿球型	2	X3-47	轉向座塑膠模 (L. R)	1
A-41A	6mm 球形	6	X3-49	車殼柱/中支柱塑膠模	1
BT-120	1/8越野車輪胎 SONIC 35度	2	X3-50	拉桿球頭塑膠模	1
E-21	3x15mm正反牙	2	X3-51	緩衝組/三角板塑膠模	1
E-37	6mm球型座	6	X3-52	防撞板/後防塵板	1
E-42	雙面膠帶	2	X3-53	後下擺臂塑膠模 (L. R)	1
E-43	5x11x4 培林	8	X3-55	定風翼架模	1
G-19	4x46 正反牙 (黑)	4	X3-61	8x14 培林	4
G-25	7mm球型	6	X3-62	13x20 培林	4
G-26	5x35mm正反牙 (黑)	2	X3-64	差速箱防塵墊片	2
J-03A	P6 0環	2	X3.6-04	CNC 7075-5mm前油壓架	1
J-20	13x16x0.2 墊片 (鋼)	4	X3.6-05	CNC 7075-5mm後油壓架	1
J-47D	避震器防塵套 (黑)	4	X3.6-07	4x67.6mm圓頭擺臂軸	2
J-47G	10x1mm 0環	4	X3.6-18	接收機/電池座/伺服機座模	1
JS-14B	6x10x3mm 培林	4	X3.6-19	防塵板 R. L	1 set
K-11A	伺服片轉接座	1 set	X3.6-20	PC透明車殼	1
LS-28B	塑膠拉桿球頭	4	X3.6-21	CNC 7075-3mm輕量底盤	1
MK-18-BK	4mm鋁尼龍帽	4	X3.6-22	中央CVD傳動軸組 (前) 186.5mm	1 set
X1-26-BK	8mm六角輪座 (黑)	2	X3.6-22A	中央CVD傳動軸 (前) 186.5mm	1
X1-26A-BK	六角螺帽 (黑)	2	X3.6-23	中央CVD傳動軸組 (後) 29.1mm	1 set
X1-27	轉向襯套	4	X3.6-23A	中央CVD傳動軸 (後) 29.1mm	1
XT-31	中差座塑膠模	1	X3.6-24	鋁合金CNC馬達座 (二件式)	1 set
X3-01	渦型大傘齒 43t	1	X3.6-25	碳纖前支撐架	1
X3-02	渦型小傘齒 13t	1	X3.6-26	碳纖上支撐板	1
X3-03	差速傘齒 (粉末) 10tx2 20tx2	1set	X3.6-27	碳纖中差板	1 set
X3-04	前CVD傳動軸組 107.5mm	1set	X3.6-28	碳纖後支撐架	1
X3-04A	前CVD傳動軸 107.5mm	2	X3S-04	輕量差速接杯	2
X3-05	後CVD傳動軸組 105mm	1set	X3S-06	CNC 前下擺臂固定座 (前)	1
X3-05A	後CVD傳動軸 105mm	2	X3S-07	CNC 前下擺臂固定座 (後)	1
X3-06	CVD 結合軸 / 2.5 x12.8 滾針	4	X3S-10	中央CVD傳動接杯	1
X3-07	CVD輪軸	2	X3S-14	鋁合金後輪座	1 set
X3-08	前防傾桿 2.3mm染黑	1	X3S-17D	46t塑膠大直齒	1
X3-09	後防傾桿 2.3mm染黑	1	X3S-20	鋁合金C型座 12度	1 set
X3-12	4x66圓頭擺臂軸	2	X3GT-11	緩衝組彈簧	1
X3-13	3.5 x 45.8 後輪座軸心	2	X3GT-03A	CNC 後上反角固定座	1
X3-14	轉向座大王銷	4	X3GT-03B	CNC 後Toe-in固定座	1
X3-15	擺臂襯套	4	#155B	車殼插梢	4
X3-16	緩衝組支柱	2	#267D	8x16 培林	8
X3-17	緩衝組鋁管	1	#267E	2.5 x 16.8 滾針	4
X3-19-BK	緩衝組調整0環 /12 x 1.7 0環	1set	#312BK	伺服片	1 set
X3-20-BK	緩衝組連接板 B (黑)	1	#315A	前避振軸心 (短)	2
X3-21	緩衝組調簧調整螺絲	2	#316A	後避振軸心 (長)	2
X3-22	緩衝組襯套	2	#363	鋁合金十字軸	6
X3-29-BK	避震器上蓋 (黑)	4	#380w	高下壓力定風翼	1
X3-30	一體式避震器上支座	4	#387B	16mm外牙筒身 (長)	2
X3-31	7x8.5mm球型座	4	#387D-BK	16mm避震器調整環 (黑)	4
X3-32	7x12mm球型座	4	#387F	19x1.5mm 0環	4
X3-34	2.5x11.8 滾針	10	#387G	彈簧止座塑膠模	1set
X3-35	2.5 x12.8 滾針	10	#387P	16mm避震器活塞模	1
X3-38	差速器防漏墊片 31x20x0.3	3	#387S	16mm避震器修理包	1
X3-40	4x10 圓頭止付	4	#388	16mm避震器用氣室 桔色	4
X3-43	差速殼	1	#396	電池固定帶 (魔鬼粘)	3
X3-44	差速箱塑膠模	1	#397-16T	16T馬達齒 5mm軸, M1	1
X3-45	前下擺臂塑膠模 (L. R)	1	#401W	平面框 (白)	4
X3-46	傾角調整套	1	#427A	16mm外牙筒身 (短) 46.75mm	1