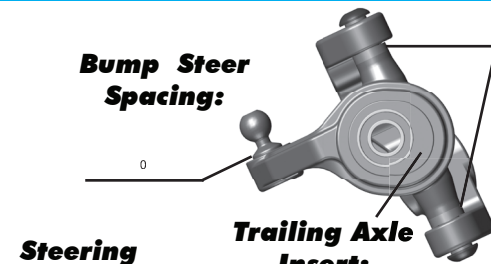


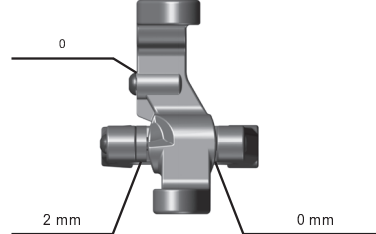
Front Suspensions:

Camber: -1
Total Toe: 0
Ride Height: 31 mm
Arm Type: #71009, Hard
Tower Type: #71004, Standard
Caster Block Insert: 5
Kick-Up Angle: 25
Wheel Hex: #71012, Stock Axle

Notes: #91392 Aluminum Steering Set
#71004 Front Tower, Standard
#91514 Chassis Cradle, Standard
#91362 Standard Top Plate
#91512 Chassis Plate, Standard



Bump Steer Spacing: 0
Trailing Axle Insert: 2mm 3mm 4mm



Steering Stop Spacing: 0
Caster Block Spacing: 2 mm 0 mm

Axle Height:
Up
Middle
Down

Ball Stud Spacing: 2 mm

Ball Stud Spacing: 2 mm

Rear Suspension:

Camber: -1
Ride Height: 30 mm
Wheel Hex: #71014, Clamping Wheel Hex 8.5 mm
Hub Spacing: Forward Middle Back

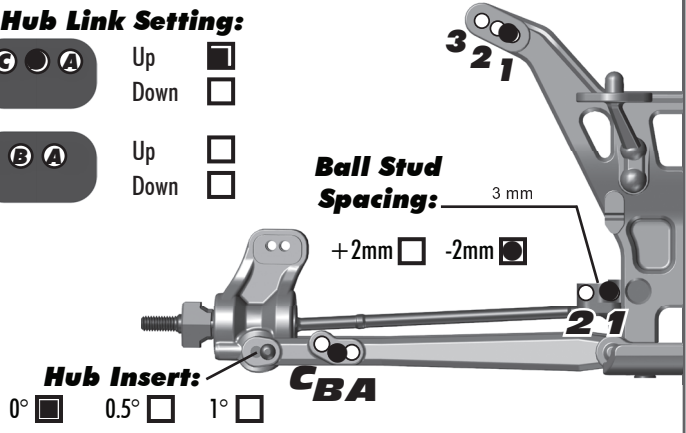
Notes: #71010, Rear Arms, Standard (Shimmed Back)
#71006 Rear Tower, Standard
#91522 & #91524 Factory Team Aluminum Arm Mount (C) & (D)

Anti Roll Bar:
None
Black (1.2mm)
Silver (1.3mm)
Gold (1.4mm)



Arm Mount:
Inboard Toe: 3
Anti-Squat: 2
Insert (D): Arrows In

Rear Hub Link Setting:
A C A Up Down
B B A Up Down



Ball Stud Spacing: 3 mm
+2mm -2mm

Hub Insert: 0° 0.5° 1°

Electronics:

Radio: M12 **Servo:** Reedy 1206
EPA Throttle: 100 % **Brake:** 80 %
ESC: Reedy BlackBox 410R
ESC Settings: See Spencer Rivkin 17.5 Setup Sheet
Motor: Reedy Sonic Mach 2
Wind: 17.5 **Timing:** 40°
Pinion: 27 **Spur:** 78
Battery: Reedy 4100 mAh #602
Battery Position: Back

Drivetrain:

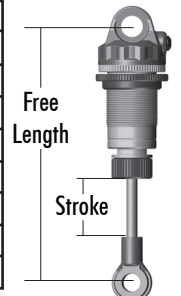
Differential:
3 Gear: **4 Gear:**
Ball Diff: **Gear Diff:**
Notes:

Slipper Clutch:

Type: Schelle
of Pads: 3
Notes: White / Red / White

Shocks:

	Front	Rear
Piston:	2 x 1.6 Flat	2 x 1.7 Flat
Oil:	35 wt	30 wt
Spring:	X-Gear Gold	X-Gear Gold
Limiters:	3	1
Cup Offset:	5 mm	5 mm
Stroke:	26.5 mm	35 mm
Free Length:	N/A	N/A
Notes:	#91493 X-Rings; #91449 Plastic Caps	



Track Info:

Size: Small Medium Large Extra Large
Surfaces: Dirt Carpet Astroturf Multi Surface
Traction: Low Medium High Very High
Moisture: Dry Damp Wet
Condition: Indoor Outdoor Dusty Hard Packed
Bumpy Grooved Smooth Loamy

Temperature: Ambient: 68° Track: 68°
Notes:

Tires:

Tires (F/R): JConcepts Dirt Webs / JConcepts Dirt Webs
Compound (F/R): Gold / Gold
Insert (F/R): JConcepts Dirt Tech / JConcepts Dirt Tech
Wheel (F/R): JConcepts / JConcepts
Notes:

Body & Wing:

Body: JConcepts Finisher
Wing: Stock
Notes:

Race Results:

Qualify: 1 **Main:** A
Finish: 1 **TQ:**
Best Lap Time: 19.8

Vehicle Comments:

#91551 Factory Team Bearing Set; #91600 Factory Team Titanium Screw Kit;
Total Vehicle Weight: 1789g