

**Front Suspensions:**

**Camber:** -1

**Total Toe:** 0

**Ride Height:** 30 mm

**Arm Type:** #71008 Standard

**Tower Type:** #71004 Standard

**Caster Block Insert:** 5

**Kick-Up Angle:** 25

**Wheel Hex:** #71014 8.5 mm Hex & #71013 Clamping Axle

**Notes:** #91362 Top Plate, Standard

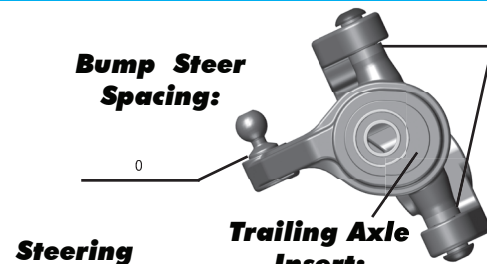
#91400 Caster Block, Standard

#91373 Plastic Front Hinge Pin Brace

#91392 Factory Team Aluminum Steering Set

#91512 Chassis Plate, Standard

#71002 Chassis Cradle, Standard

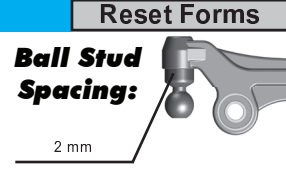


**Axle Height:**

Up

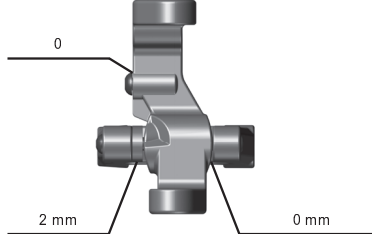
Middle

Down

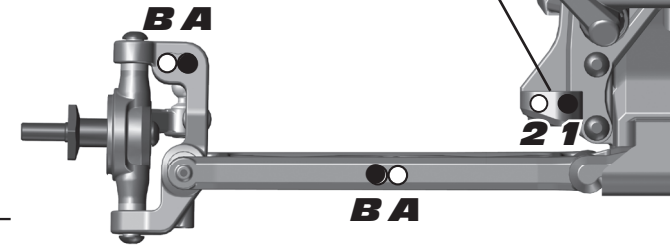


**Steering Stop Spacing:**

0  2mm  3mm  4mm



**Caster Block Spacing:**



**Rear Suspension:**

**Camber:** -1

**Ride Height:** 29 mm

**Wheel Hex:** #71014 8.5 mm Hex

**Hub Spacing:**

Forward  Middle  Back

**Notes:** #71010 Rear Arms, Standard

#91548 Factory Team 0° Aluminum Hubs (Back Row Inside + 3.5 mm)

#91520 Factory Team Aluminum Camber Link Mount (Low + 3 mm)

#91522 & 91524 Factory Team Aluminum "C" and "D" plate

#71006 Rear Tower, Standard

**Anti Roll Bar:**

None

Black (1.2mm)

Silver (1.3mm)

Gold (1.4mm)

**Rear Hub Link Setting:**

**A**  C  B  A  Up  Down

**B**  B  A  Up  Down

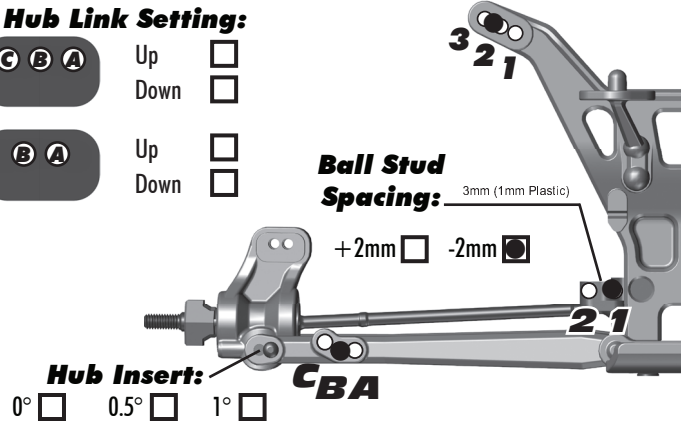


**Arm Mount:**

**Inboard Toe:** 3

**Anti-Squat:** 1

**Insert (D):** Arrow In



**Electronics:**

**Radio:** Airtronics M12 **Servo:** Reedy 1206

**EPA: Throttle:** 100 % **Brake:** 100% %

**ESC:** Reedy Blackbox 410R

**ESC Settings:** See Setup Sheet

**Motor:** Reedy Sonic Mach2

**Wind:** 7.0 **Timing:** 8°

**Pinion:** 19 **Spur:** 84

**Battery:** Reedy SQ #314

**Battery Position:** Back

**Drivetrain:**

**Differential:**

**3 Gear:**  **4 Gear:**

**Ball Diff:**  **Gear Diff:**

**Notes:** Very Tight

**Slipper Clutch:**

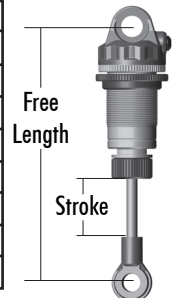
**Type:** Team Associated

**# of Pads:** 2

**Notes:**

**Shocks:**

	Front	Rear
<b>Piston:</b>	2 x 1.6 Kit	2 x 1.7 Kit
<b>Oil:</b>	35 wt	30 wt
<b>Spring:</b>	Blue	White
<b>Limiters:</b>	3	1
<b>Cup Offset:</b>	5 mm	5 mm
<b>Stroke:</b>	26.5 mm	35 mm
<b>Free Length:</b>	N/A	N/A
<b>Notes:</b>	#91493 X-Rings; #91450 Aluminum Caps	



**Track Info:**

**Size:** Small  Medium  Large  Extra Large

**Surfaces:** Dirt  Carpet  Astroturf  Multi Surface

**Traction:** Low  Medium  High  Very High

**Moisture:** Dry  Damp  Wet

**Condition:** Indoor  Outdoor  Dusty  Hard Packed

Bumpy  Grooved  Smooth  Loamy

**Temperature: Ambient:** 70° **Track:** 70°

**Notes:**

**Tires:**

**Tires (F/R):** JConcepts Dirt Webs / JConcepts Dirt Webs

**Compound (F/R):** Green / Green

**Insert (F/R):** JConcepts Blue Closed Cell / JConcepts Blue Closed Cell

**Wheel (F/R):** Team Associated Hex / Team Associated Hex

**Notes:**

**Body & Wing:**

**Body:** Pro-Line Kit

**Wing:** Pro-Line Kit

**Notes:** 5mm Lip

**Race Results:**

**Qualify:** 2 **Main:** A

**Finish:** 2 **TQ:**

**Best Lap Time:** 15.8

**Vehicle Comments:**

#91551 Factory Team Bearing Set; #91446 Factory Team Shock Bushings; #91546 Factory Team Milled Motor Plate; #91450 Factory Team Aluminum Shock Caps; #91600 Titanium Screw Kit; #91545 Graphite Battery Strap;

**Total Vehicle Weight:**