



RC8B4.1e

- SCALE 1:8 VEHICLE
- KIT
- 4 WHEEL DRIVE
- ELEC. POWERED
- OFF ROAD
- NOT INCLUDED
- CLEAR BODY

#80950 RC8B4.1e TEAM KIT

1:8 Scale 4WD Electric Off Road Competition Buggy Manual



CHAMPIONS by DESIGN

AssociatedElectrics.com



:: Introduction

Thank you for purchasing this Team Associated product. This assembly manual contains instructions and tips for building and maintaining your new Kit. Please take a moment to read through this manual to help familiarize yourself with these steps. We are continually changing and improving our designs; therefore, actual parts may appear slightly different than in the illustrations. New parts will be noted on supplementary sheets located in the appropriate parts bags. Check each bag for these sheets before you start to build.

:: KIT Features

Features in the RC8B4.1e Kit:

- New RC8B4.1e RWB/FWB adjustable weight bias chassis design to tune rear grip vs. steering
- New low CG and lightweight aluminum front and rear shock towers
- New shorter 16mm front and rear shock bodies for lower CG and lighter weight
- New 6 -hole 1.4mm front and 1.5mm taper rear machined shock pistons included with emulsion shock cap seals
- New 3-hole rear suspension arms with updated rear anti-roll bar geometry for both smooth and bumpy tracks
- New durable rear hub design with wide footprint base, and tuneable 3mm carbon fiber hub towers
- New blue aluminum front upper arm mount for added durability
- New molded RC8B4.1 front bumper with optimized profile for bumpy transitions
- 13-44 Ring and Pinion Bevel Gear Set
- 92mm universal driveshafts with 17mm outdrives
- Updated Soft Blend suspension arms for maximum durability in cold weather
- New +1 aluminum steering block arms for sharper steering on low grip
- RC8B4e centralized drivetrain and chassis configuration optimized for shorty-style batteries only
- Two battery trays included with adjustable stops for battery position adjustment
- RC8B4e 25mm wide hook and loop strap per battery tray for easy battery hold-down
- RC8B4e ESC tray with protective shield has unique position for 2x2s and 1x4s battery setups for ideal weight bias positioning
- RC8B4e receiver box with built-in servo mounts has integrated cable routing and increased volume for fitting taller antenna-less receivers
- Wire routing clips included for clean wiring of batteries and motor with sensor wire
- Two-piece clamping motor mount which can shift to the forward or rearward location to support FWB or RWB.

:: Additional

Your new RC8B4e Kit comes as a kit. There are items you will need to complete your kit (refer to the website for suggestions):

- | | | |
|---|---------------------------|-------------------------|
| • 2 or 3 channel radio/transmitter (2.4GHz recommended) | • Transmitter batteries | • Steering servo |
| • Two 2s or One 4s LiPo Battery Pack | • 1/8th scale sized motor | • 1/8th scale sized ESC |
| • Polycarbonate-specific paint | • Thread-locking compound | • Needle-nose pliers |
| • 1:8 scale buggy tires and wheels | • CA (cyanoacrylic) glue | • Hobby knife |
| • Reamer / hole punch | • Ride height gauge | |

:: Other Helpful Items

- | | |
|--|---|
| • Silicone Shock/Diff Fluids (Refer to the website for complete listings): | • Body Scissors (AE #1737) |
| • Shock Pliers | • FT Hex Wrenches - (#1506, 1518) |
| • Reamer / Hole Punch - (#1499) | • Wire Cutters |
| • Ride Height Gauge | • Turnbuckle Wrench - (#1114) |
| | • FT Hex Wrenches / Nut Drivers - (#1519) |
| | • Calipers or a Precision Ruler |
| | • Wheel Nut Wrench 17mm - (#1571) |

Associated Electrics, Inc.
21062 Bake Parkway
Lake Forest, CA 92630



Customer Service
Tel: 949.544.7500
Fax: 949.544.7501

:: Hardware - 1:1 Scale View

Flat Head (fhcs)

	2.5x6mm (4675)
	2.5x8mm (31448)
	3x5mm (31540)
	3x6mm (31541)
	3x8mm (25201)
	3x10mm (25202)
	3x12mm (25203)
	3x14mm (89208)
	3x30mm (89212)
	4x10mm (81262)
	4x12mm (89214)
	4x14mm (89217)
	4x16mm (81263)
	4x20mm (81264)

Button Head (bhcs)

	2.5x6mm (31520)
	2.5x8mm (31521)
	2.5x18mm (81259)
	3x6mm (31531)
	3x8mm (31532)
	3x10mm (25211)
	3x12mm (89202)
	3x14mm (25187)
	3x16mm (89203)
	3x18mm (2308)
	3x20mm (25188)
	3x22mm (25189)
	3x24mm (89204)
	4x14mm (81260)
	4x16mm (81261)

Set Screws

	3x3mm (25225)
	3x6mm (81257)
	3x10mm (4671)
	3x12mm (81258)
	4x4mm (7732)
	5x4mm (89221)

Socket Head (shcs)

	2x5mm (31511)
	2x16mm (7184)
	3x10mm (25620)
	3x12mm (89454)
	3x24mm (89225)
	3x26mm (89226)
	3x28mm (89227)

LP Socket Head (lp shcs)

	3x6mm (41089)
	3x10mm (41090)
	3x14mm (41094)
	3x16mm (41093)
	3x20mm (41091)

Ball Bearings

	5x8x2.5mm (8680)
	5x10x4mm (91560)
	6x10mm (31404)
	6x13x5mm flanged (91559)
	8x16x5mm (91564)
	8x16x5mm flanged (91565)

Nuts (lock/plain)

	M3 Nut (91477)
	M3 Alum. Locknut, Blue (31550)
	M3 Locknut, Black (25215)
	M3 Locknut w/Flange (25612)
	FT 3mm Locknuts, Blue(25392)
	FT M4 Locknut, Blue (31551)
	M4 Locknut, Serrated (91738)

:: Table of Contents

1.....	Cover	16 - 18.....	Rear End Build (Bags 7.1, 7.2, 7.3)
2.....	Introduction	19.....	Rear Hubs Build (Bags 8.1, 8.2)
3.....	1:1 Hardware "Fold Out"	20 - 21.....	Center Bulkhead Build (Bag 9.1)
4.....	Table of Contents	21 - 22.....	Radio Tray Build (Bag 10.1, 11.1)
5 - 7.....	Differentials Build (Bags 1.1, 1.2)	22 - 23.....	Battery Tray Build (Bag 12.1)
7 - 8.....	Shocks Build (Bag 2.1)	24.....	Wheels / Tires / Body (Misc.)
9.....	Turnbuckles Build (Bags 3.1)	25.....	Droop Settings
10 - 11.....	Steering / Chassis Build (Bag 4.1)	26.....	Back Cover
11 - 14.....	Front Gearbox Build (Bags 5.1, 5.2, 5.3)		
14 - 15.....	Steering Blocks Build (Bags 6.1)		

:: Notes



This symbol indicates a special note or instruction in the manual.



This symbol indicates a specific build order in the manual.



This symbol indicates a Racers Tip.



There is a 1:1 hardware foldout page in the front of the manual. To check the size of a part, line up your hardware with the correct drawing until you find the exact size. Each part in the foldout has a number assigned to it for ordering replacement parts.

Associated Electrics, Inc.
21062 Bake Parkway
Lake Forest, CA 92630



Customer Service
Tel: 949.544.7500
Fax: 949.544.7501

:: Differential Build (Front and Rear) - Bag 1.1, 1.2 - Step 1

#6588 black grease

81385 Outdrive O-Ring 5.8x1.9mm

81379 Diff Case

91564 8x16x5 Bearing

81381 Diff Shim 6x8x0.20mm

#6588 black grease

81012 17mm Outdrive

81383 Pin 2.5x12mm

81383 Diff Sun Gear, 18T, LTC

! Center Diff HTC Gearset is bagged separately. DO NOT MIX!

Save 13.5 shims until install into gearbox

! Align pin with groove in sun gear

:: Differential Build (Front and Rear) - Bag 1.1, 1.2 - Step 2

81383 x4 Diff Shim 3.6x12x0.12mm

81383 x4 Diff Planet Gear, 10T, LTC

81383 x2 Diff Crosspin

#6588 black grease

81385 Outdrive O-Ring 5.8x1.9mm

81468 Diff Ring Gear, 44/13 Set

91564 8x16x5 Bearing

81381 Diff Shim 6x8x0.20mm

#6588 black grease

81012 17mm Outdrive

:: Differential Build (Front and Rear) - Bag 1.1, 1.2 - Step 3

81380 Pin 2.5x12mm

81383 Diff Sun Gear, 18T, LTC

81384 Diff Gasket

#6588 black grease

! Racer's Tip: Use black grease (#6588) to coat the back side of the diff gasket [i.e. not the entire gasket] before installation!

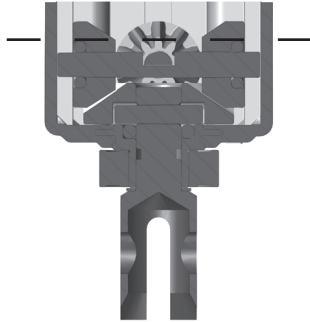
! Align pin with groove in sun gear

:: Differential Build (Front and Rear) - Bag 1.1, 1.2 - Step 4



Racer's Tip:

Fill diff above the cross pins, below the planet gears as shown.

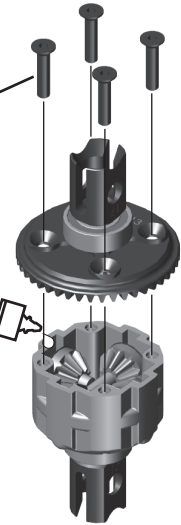


25202 x4
M3x10mm
FHCS



Front Diff Fluid:
15,000cst #5447

Rear Diff Fluid:
10,000cst #5455



:: Differential Build (Center) - Bag 1.1, 1.2 - Step 5



81385
Outdrive
O-Ring
5.8x1.9mm

81380
Pin
2.5x12mm

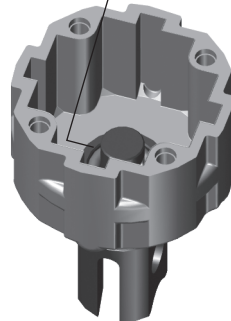


Use HTC Gearset for center differential!

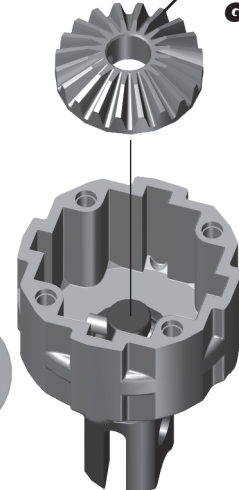
81380
Diff Sun
Gear, 20T,
HTC

81379
Diff
Case

91564
8x16x5
Bearing



Align pin with groove in sun gear



81381
Diff Shim
6x8x0.20mm

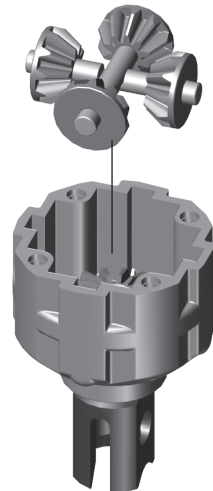
81012
17mm
Outdrive,
Center Diff



:: Differential Build (Center) - Bag 1.1, 1.2 - Step 6



81380 x4
Diff Planet
Gear, 10T,
HTC



81385
Outdrive
O-Ring
5.8x1.9mm

81389
Spur Gear,
Plastic, 46T

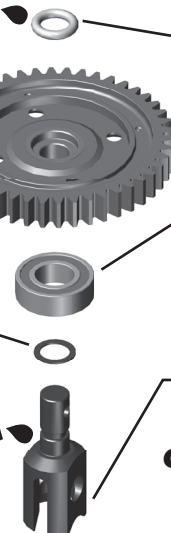
91564
8x16x5
Bearing

81381
Diff Shim
6x8x0.20mm

81012
17mm
Outdrive,
Center Diff



81380 x2
Diff
Crosspin



:: Differential Build (Center) - Bag 1.1, 1.2 - Step 7

81380 Pin 2.5x12mm

81380 Diff Sun Gear, 20T, HTC

81384 Diff Gasket

#6588 black grease

Racer's Tip:
Use black grease (#6588) to coat the back side of the diff gasket (i.e. not the entire gasket) before installation!

Align pin with groove in sun gear

:: Differential Build (Center) - Bag 1.1, 1.2 - Step 8

Racer's Tip:
Fill diff above the cross pins, below the planet gears as shown.

25202 3x10mm FHCS

Diff Fluid

Center Diff Fluid:
10,000cst #5455

:: Shocks Build - Bag 2.1 - Step 1

81597 FT Shock Piston (6x1.4 flat) Front

89215 2.5mm Shock Piston Locknut

89278 2.6x6mm Washer

81598 FT Shock Piston (6x1.5 tapered) Rear

81172 TiN Shock Shaft, 3.5x33.5mm (Front)

81173 TiN Shock Shaft, 3.5x42.5mm (Rear)

81162 Shock Body, 26.5mm (Front)

81163 Shock Body, 36.5mm (Rear)

81185 Shock Body O-Ring

81185 Shock Body Seal Retainer

81185 Shock O-Ring

81186 Shock O-Ring

81185 Shock O-Ring Spacer

81185 O-Ring Hat Bushing

Install pistons taper down

:: Shocks Build - Bag 2.1 - Step 2

Racer's Tip:
Use green slime (#1105) to lube the o-rings before installation!

81190 Shock Boots

81562 Rod End Ball

81452 RC8B3.2 Shock Cap

81621 Shock Rod End Front: 0 Rear: +4

81512 Shock Cap Insert

91492 2x4mm BHCS

91492 Gasket ②

81184 Emulsion Seal ①

When installing the emulsion seal, make sure it is correctly seated within the shock cap as shown.

:: Shocks Build - Bag 2.1 - Step 3

! Fill to top of shock body.

Front Shock Fluid: 45wt #5430

Rear Shock Fluid: 30wt #5422

! Tighten to snug, may be a small gap when sealed.

Pro Tip: Tune the front fluid 40wt or 35wt in lower grip conditions

! Bleed Procedure:
Remove bleeder screw
Tilt shock so bleed hole is the highest point and slowly compress the shaft.

Stop about 3mm from full compressed, install the screw, and check that the shock is not pressurized. If so, bleed out a small amount more.

:: Shocks Build - Bag 2.1 - Step 4

! The springs come with a colored marking pre-installed for easy identification

81221 Spring Collar O-Ring, 20mm

81221 Spring Collar, 20mm

81223 V2 Front Spring, White (5.10lb/in) L70, 9.25T, 1.6D

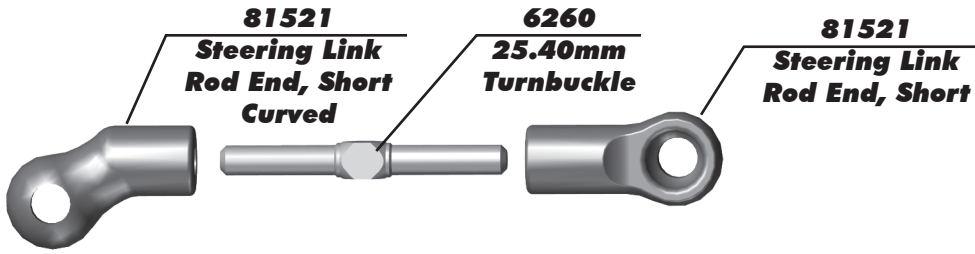
81233 V2 Rear Spring, Pink (3.70lb/in) L86, 12.00T, 1.6D

81512 Spring Cup ①

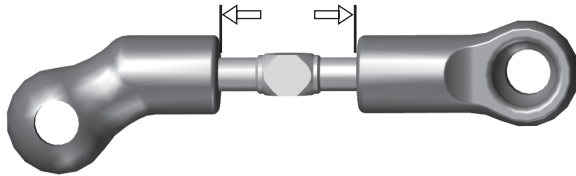
25211 3x10mm BHCS ②

:: Turnbuckles Build - Bag 3.1 - Step 1

Steering Servo Turnbuckle



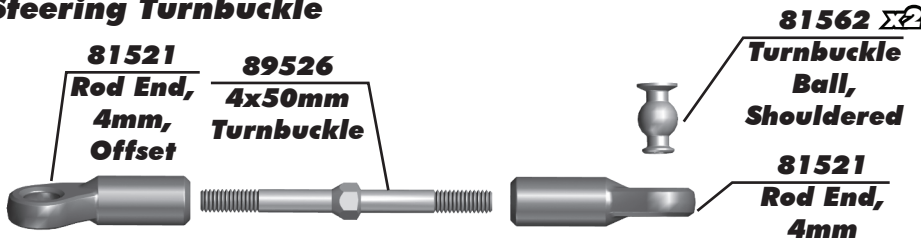
11.50mm (0.45")



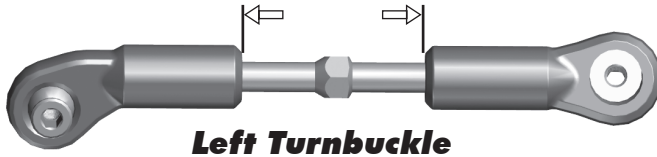
Set aside until page 22

:: Turnbuckles Build - Bag 3.1 - Step 2

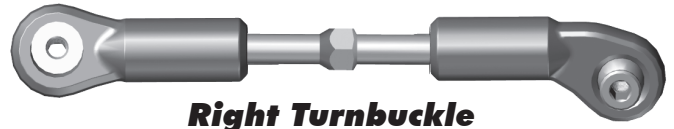
Steering Turnbuckle



24.20mm (0.952")



Left Turnbuckle



Right Turnbuckle



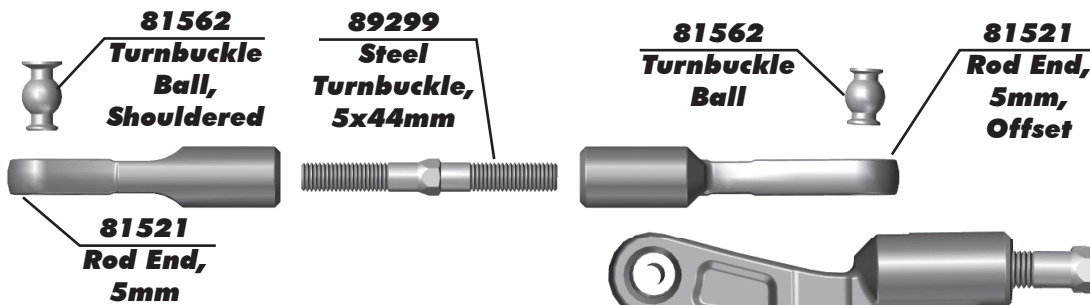
Note the direction of turnbuckle ball



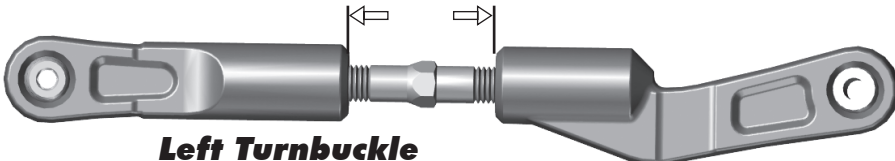
Set aside until page 15

:: Turnbuckles Build - Bag 3.1 - Step 3

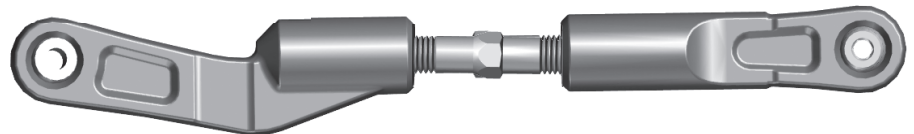
Rear Hub Turnbuckle



19.70mm (0.775")



Left Turnbuckle

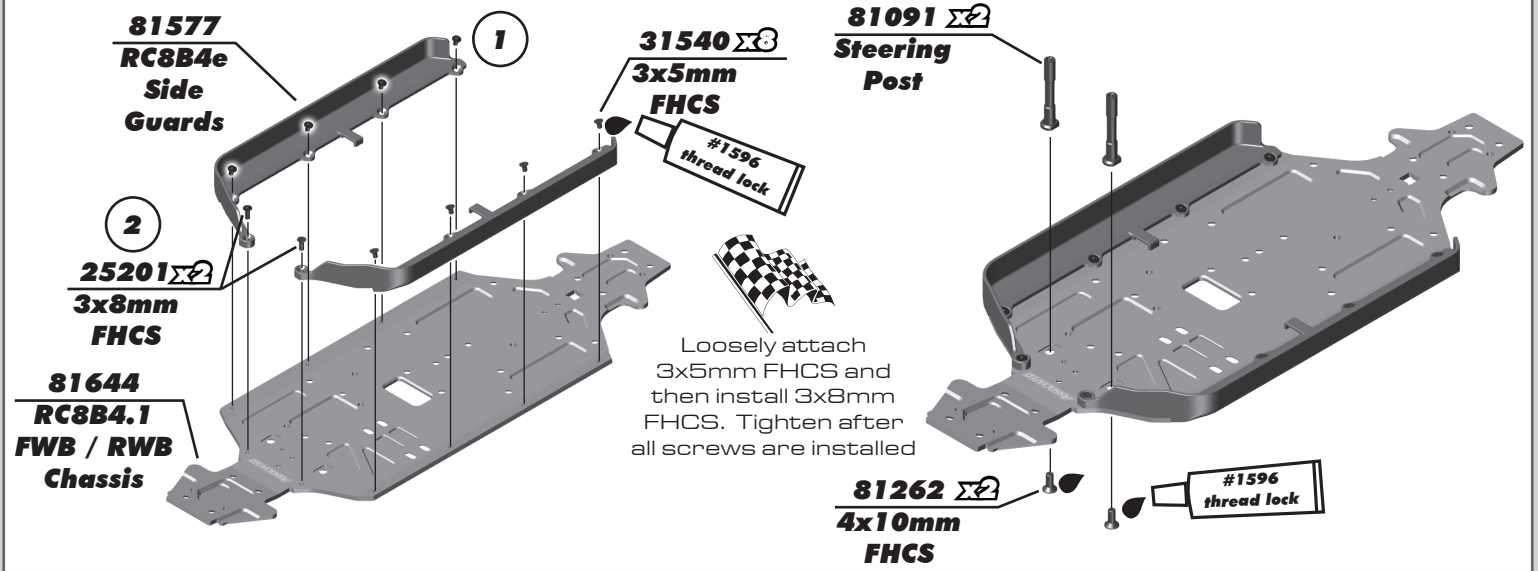


Right Turnbuckle

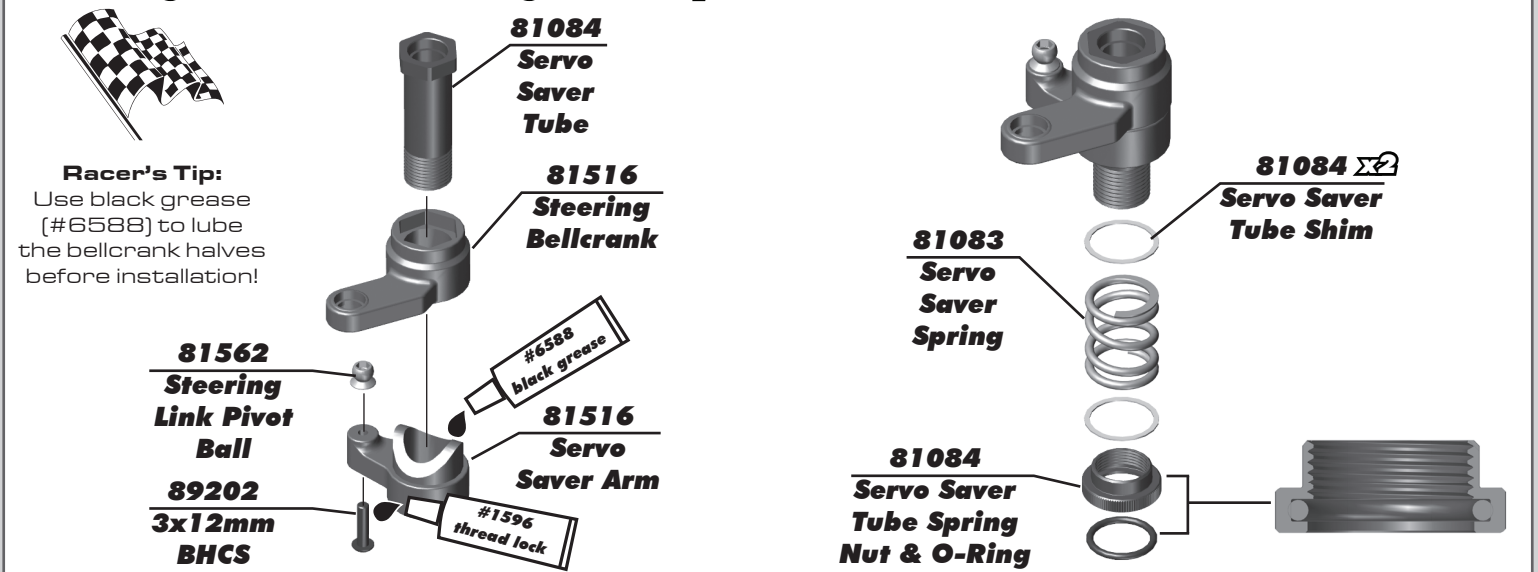


Set aside until page 19

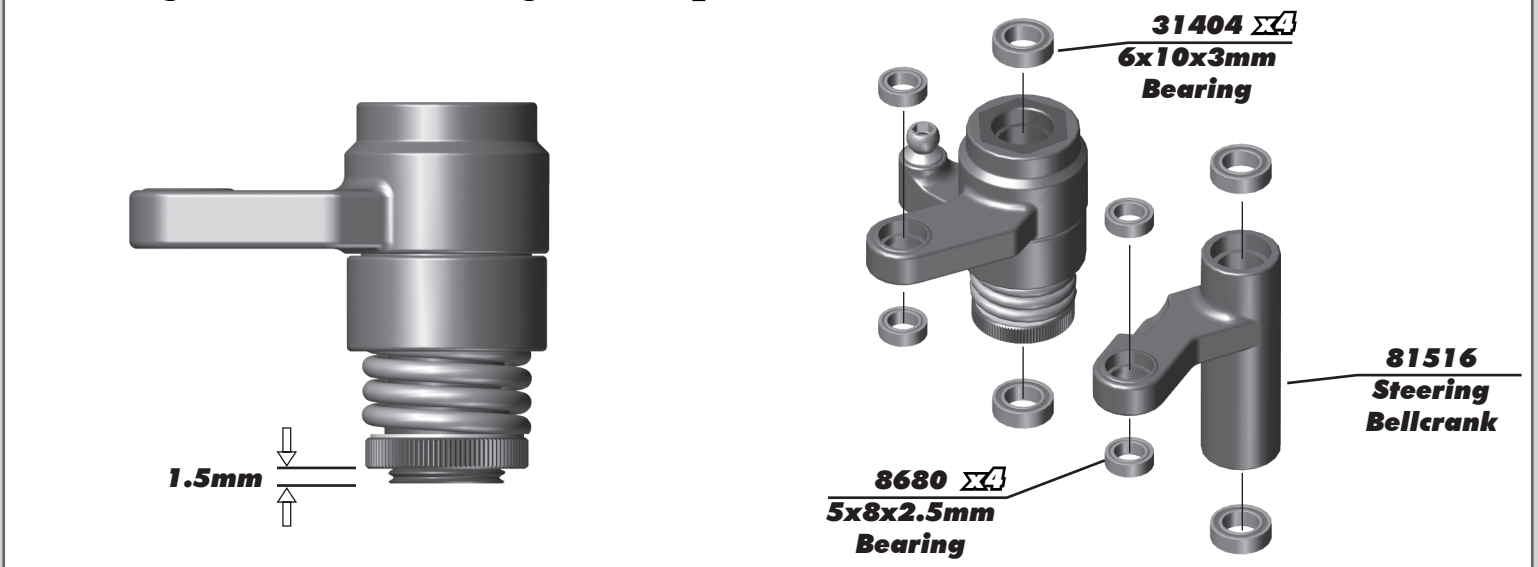
:: Steering / Chassis Build - Bag 4.1 - Step 1



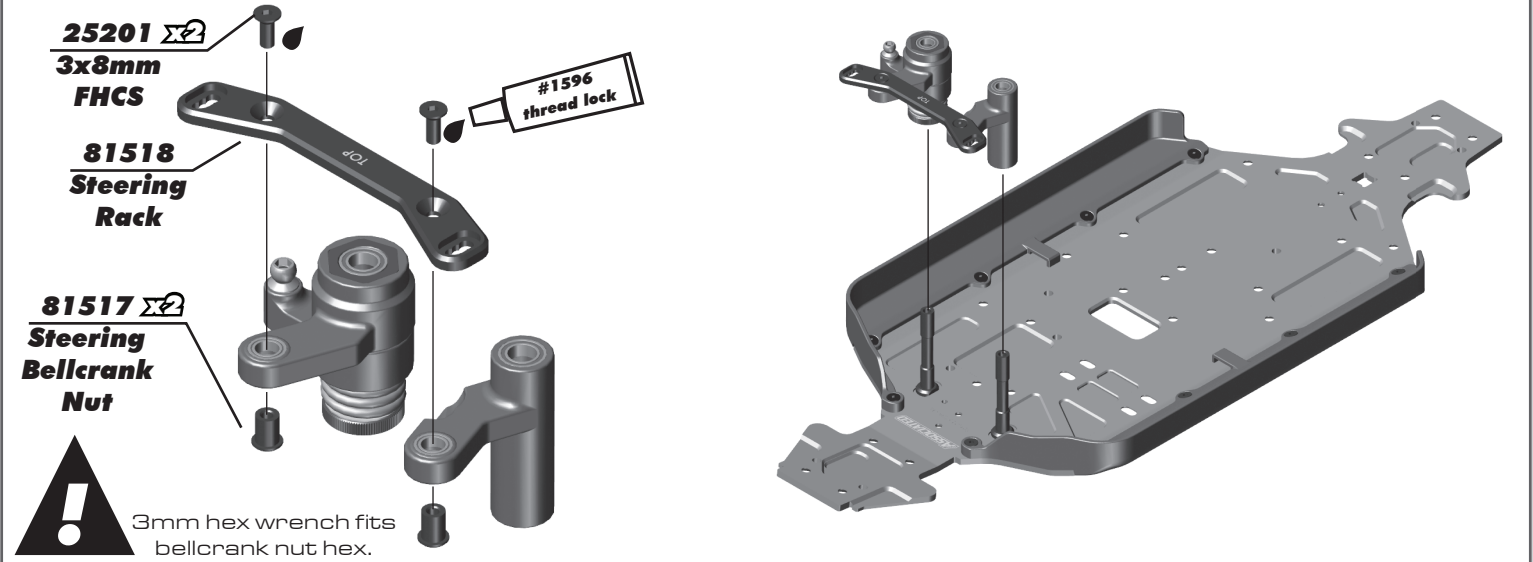
:: Steering / Chassis Build - Bag 4.1 - Step 2



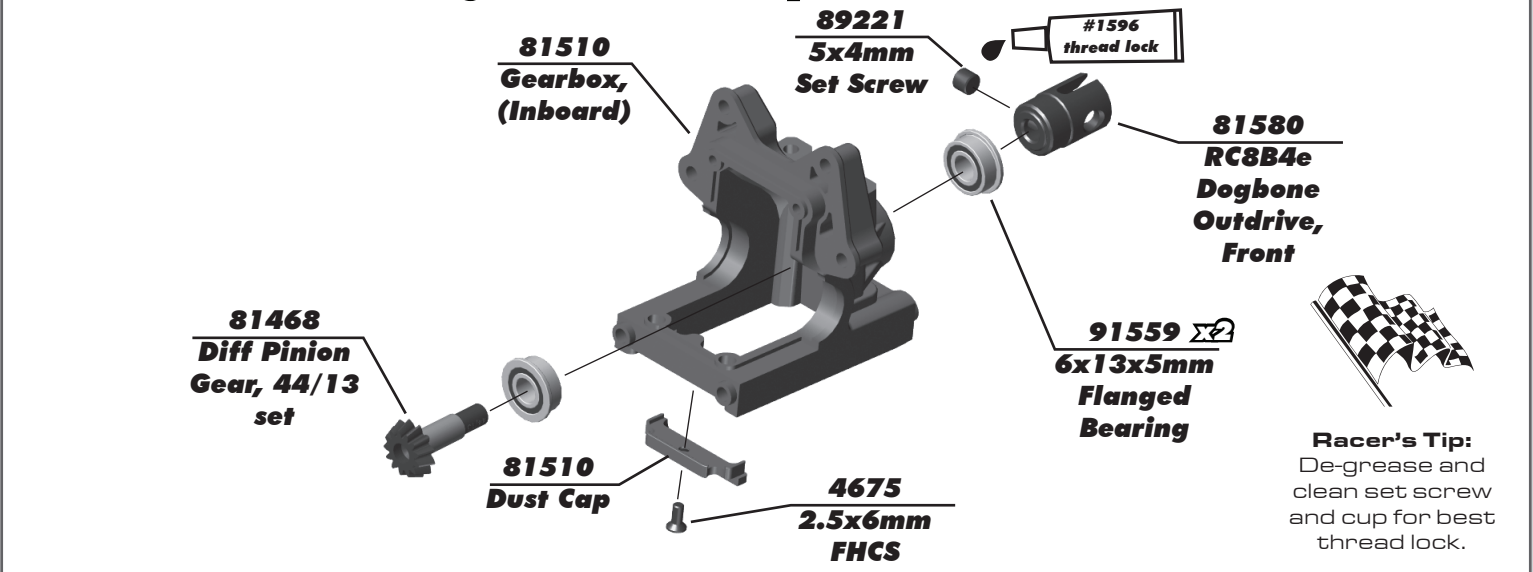
:: Steering / Chassis Build - Bag 4.1 - Step 3



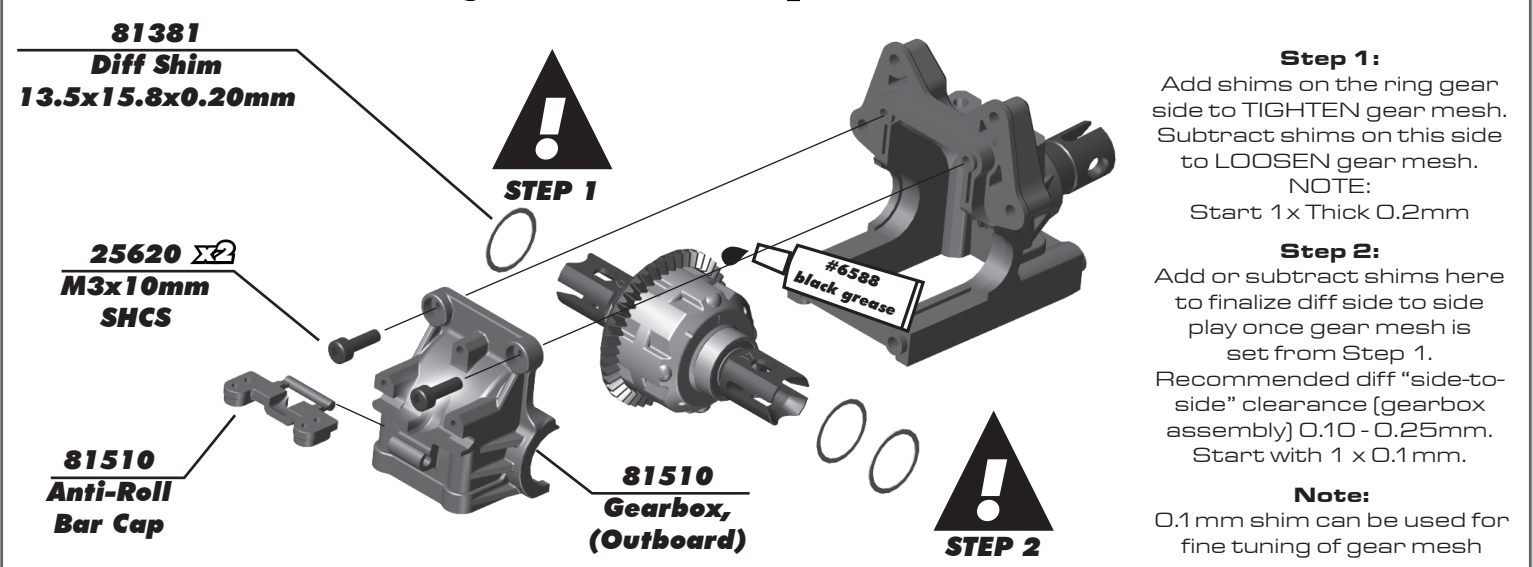
:: Steering / Chassis Build - Bag 4.1 - Step 4



:: Front Gearbox Build - Bag 5.1, 5.2, 5.3 - Step 1



:: Front Gearbox Build - Bag 5.1, 5.2, 5.3 - Step 2



Step 1:
Add shims on the ring gear side to TIGHTEN gear mesh. Subtract shims on this side to LOOSEN gear mesh.
NOTE:
Start 1x Thick 0.2mm

Step 2:
Add or subtract shims here to finalize diff side to side play once gear mesh is set from Step 1.
Recommended diff "side-to-side" clearance (gearbox assembly) 0.10 - 0.25mm. Start with 1 x 0.1mm.

Note:
0.1 mm shim can be used for fine tuning of gear mesh

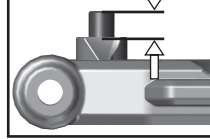
:: Front Gearbox Build - Bag 5.1, 5.2, 5.3 - Step 3

Kit Setup:



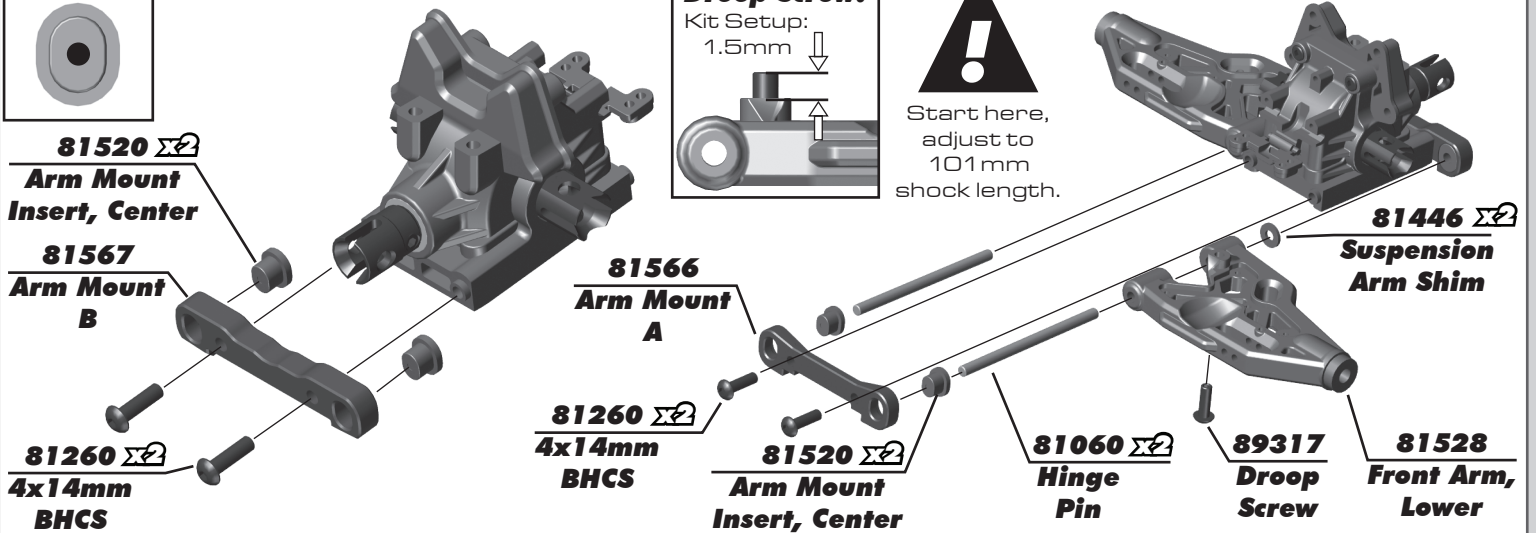
Drop Screw:

Kit Setup:
1.5mm



!
Start here,
adjust to
101 mm
shock length.

Build left and right side!

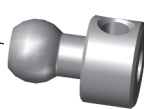


:: Front Gearbox Build - Bag 5.1, 5.2, 5.3 - Step 4

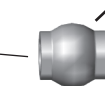
81512 $\times 2$
Anti-Roll Bar Link



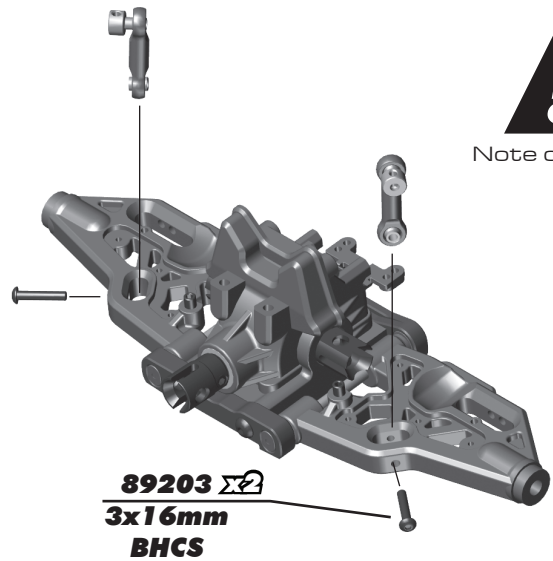
81585
Anti-Roll Bar Pivot



81585
Rod End Ball



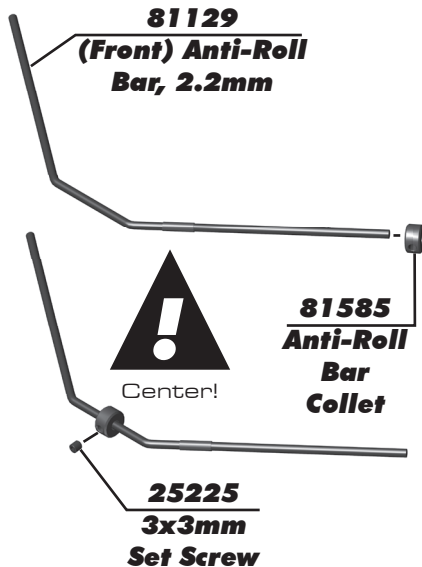
!
Note direction



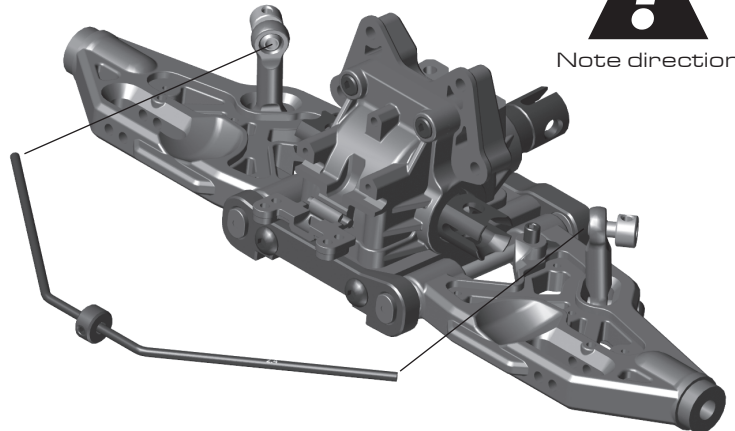
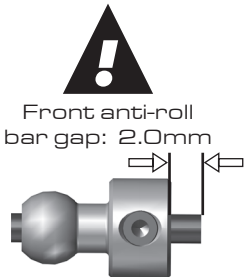
:: Front Gearbox Build - Bag 5.1, 5.2, 5.3 - Step 5



Center the anti-roll bar collet on the anti-roll bar; then tighten the 3x3mm set screw.



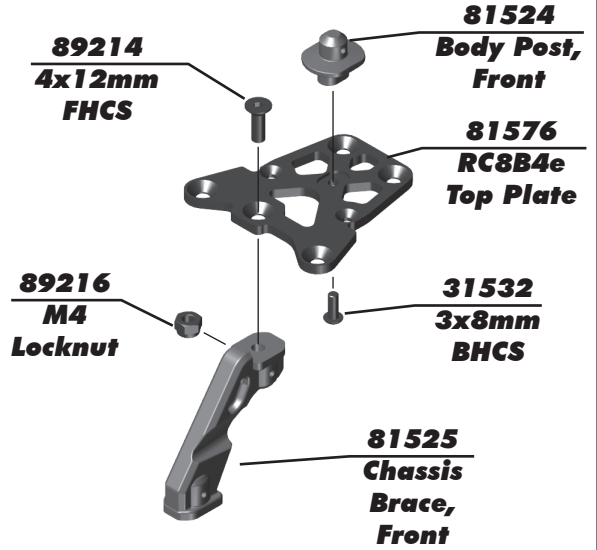
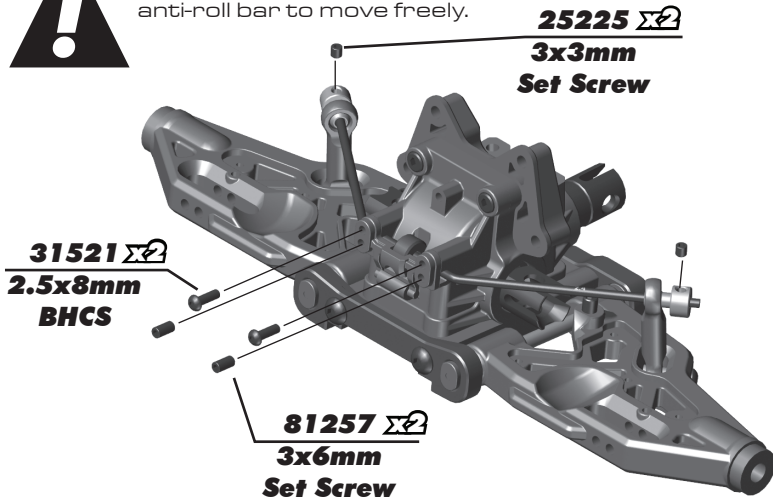
Note direction



:: Front Gearbox Build - Bag 5.1, 5.2, 5.3 - Step 6

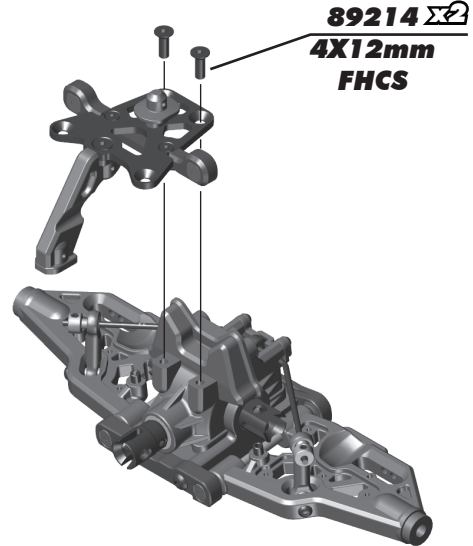
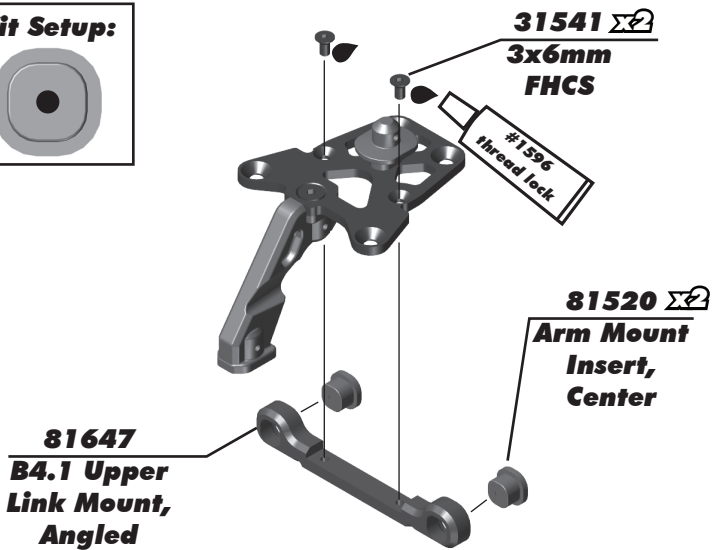


Tighten 3x6mm set screws just enough to still allow the anti-roll bar to move freely.



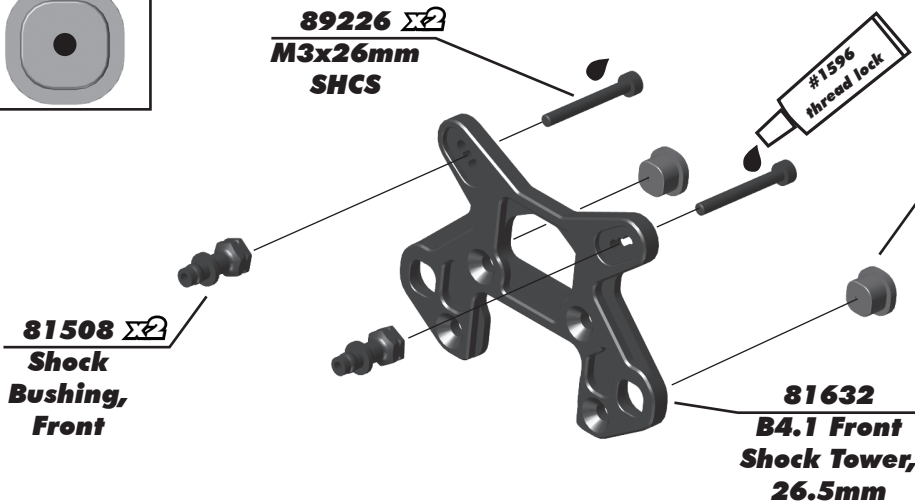
:: Front Gearbox Build - Bag 5.1, 5.2, 5.3 - Step 7

Kit Setup:



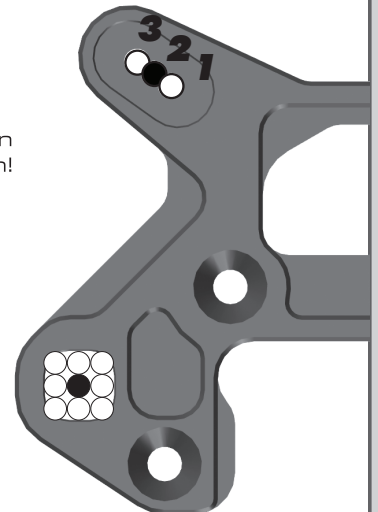
:: Front Gearbox Build - Bag 5.1, 5.2, 5.3 - Step 8

Kit Setup:



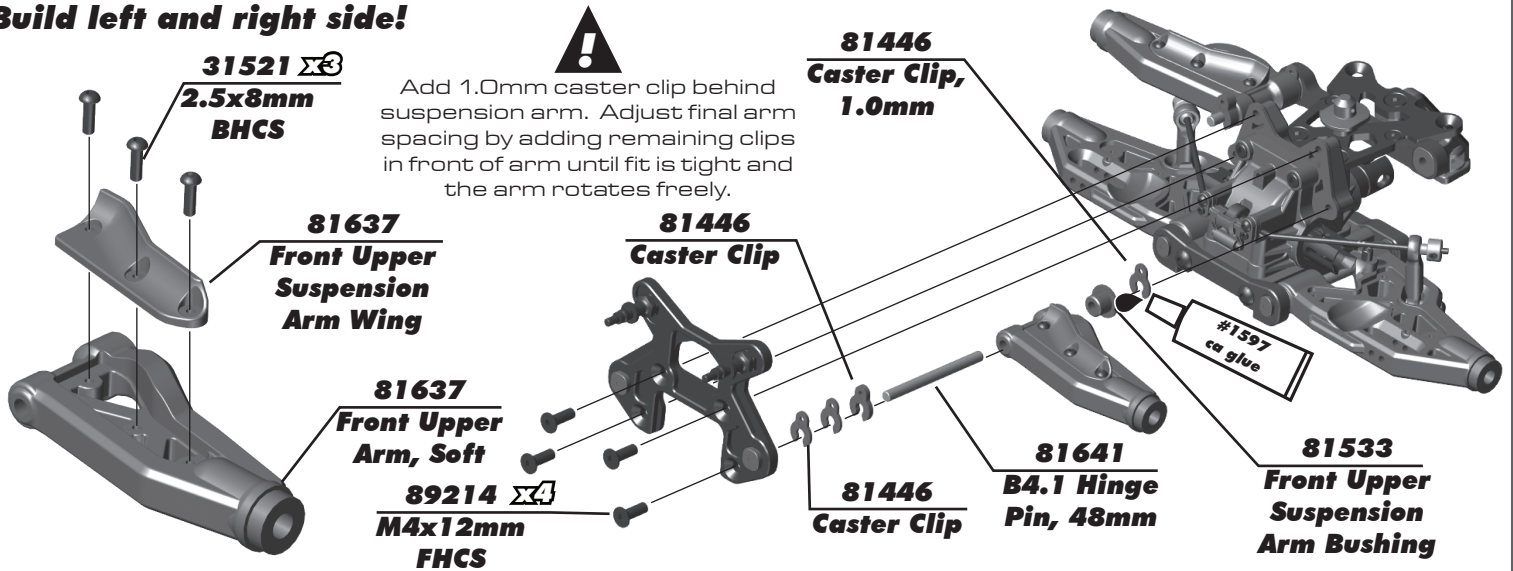
Install arm mount inserts in direction shown!

81520 $\Sigma 2$
Arm Mount
Insert,
Side



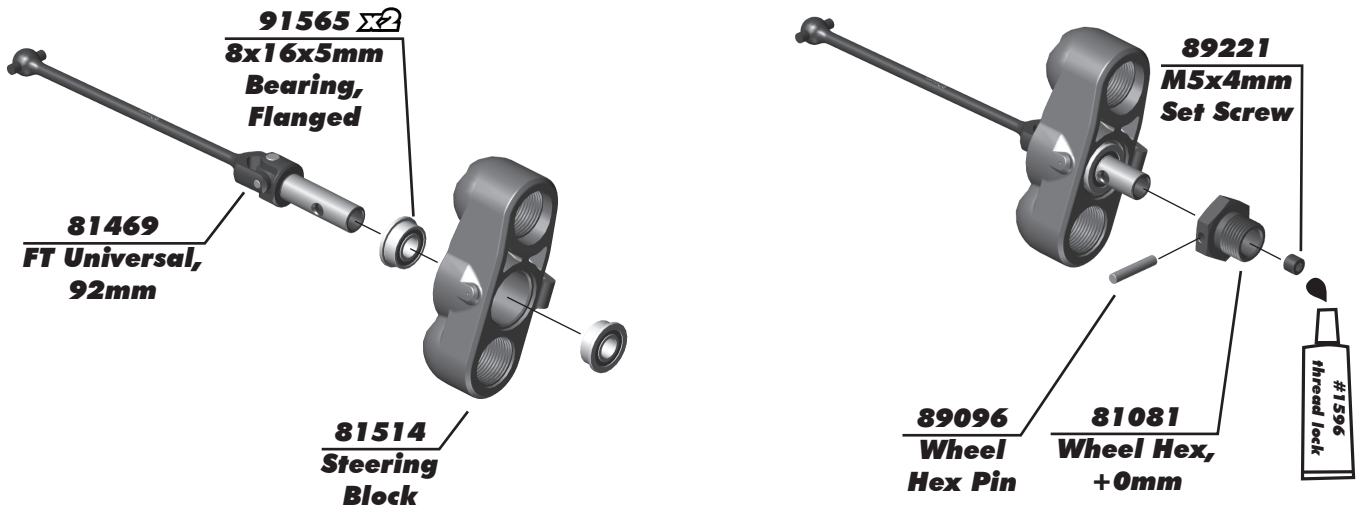
:: Front Gearbox Build - Bag 5.1, 5.2, 5.3 - Step 9

Build left and right side!



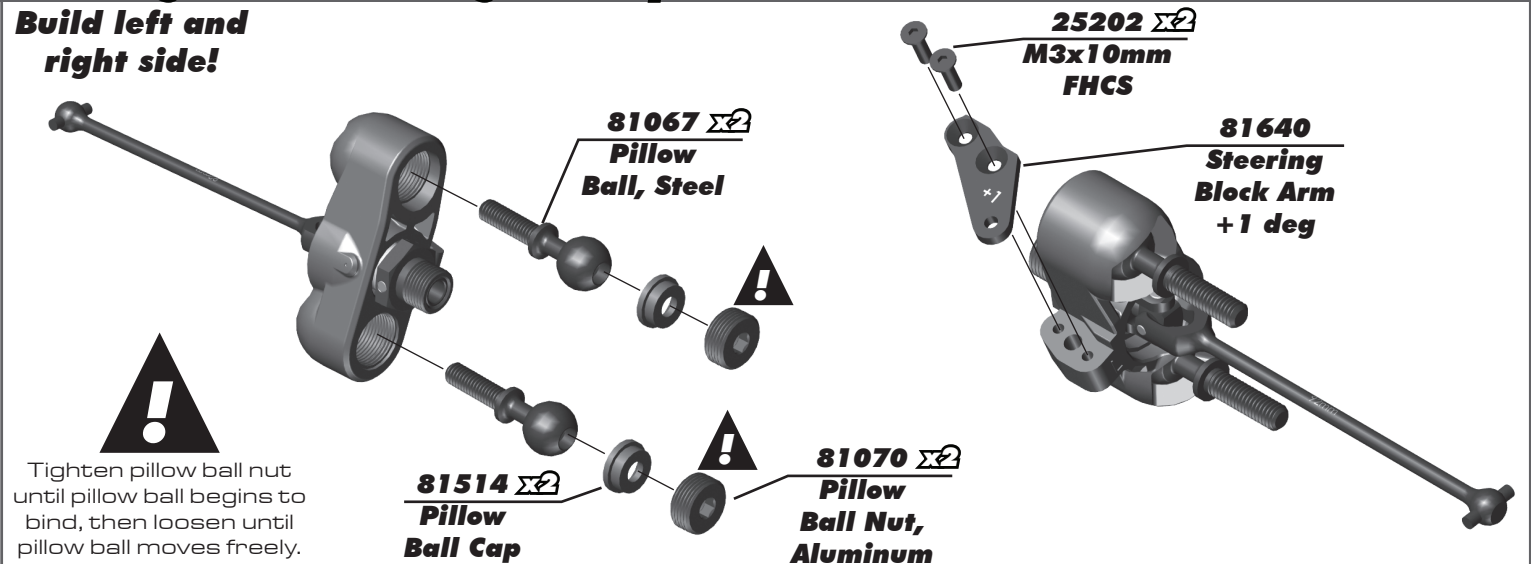
:: Steering Blocks Build - Bag 6.1 - Step 1

Build left and right side!



:: Steering Blocks Build - Bag 6.1 - Step 2

Build left and right side!



:: Steering Blocks Build - Bag 6.1 - Step 3

81056 $\Sigma 2$
Suspension Arm Endcap

81072
Pillow Ball Shim (1.4mm)

81072
Pillow Ball Shim (0.7mm)

25620 $\Sigma 2$
M3x10mm SHCS

#1596
thread lock

Pillow Ball Shims

0.35mm 0.7mm 1.4mm

:: Steering Blocks Build - Bag 6.1 - Step 4

81262 $\Sigma 2$
M4x10mm FHCS

#1596
thread lock

31532 $\Sigma 2$
M3x8mm BHCS

89216
M4 Locknut

81643
B4.1 Front Bumper

89214
M4x12mm FHCS

Kit Setup:

1/2 3/8 TOP 1/2 3/8

81264 $\Sigma 2$
M4x20mm FHCS

89217 $\Sigma 2$
M4x14mm FHCS

For attaching steering link to steering rack

:: Steering Blocks Build - Bag 6.1 - Step 5

Kit Setup:
Mount the front shock in the outside hole on the front arm.

A B

81257
M3x6mm Set Screw

25612
M3 Locknut W/ Flange

81509
Shock Pin

:: Rear End Build - Bag 7.1, 7.2, 7.3 - Step 1



Racer's Tip:
Use black grease (#6588) to lube the diff pinion before installation!

81468
Diff Pinion
Gear, 44/13
set

81543
Gearbox,
(Inboard)

81565
Dogbone
Outdrive,
Rear

#1596
thread lock

89221
M5x4mm
Set Screw

91559 
6x13x5mm
Bearing



Racer's Tip:
De-grease and clean set screw and cup for best thread lock.

81543
Dust Cap

4675
M2.5x6mm
FHCS

:: Rear End Build - Bag 7.1, 7.2, 7.3 - Step 2

81381
Diff Shim
13.5x15.8x0.20mm



81543
Gearbox,
(Outboard)

25620 
M3x10mm
SHCS

81543
Anti-Roll
Bar Cap

#6588
black grease



Step 1:

Add shims on the ring gear side to TIGHTEN gear mesh. Subtract shims on this side to LOOSEN gear mesh.

NOTE:

Start 1 x Thick 0.2mm

Step 2:

Add or subtract shims here to finalize diff side to side play once gear mesh is set from Step 1.

Recommended diff "side-to-side" clearance [gearbox assembly] 0.10 - 0.25mm. Start with 1 x 0.1 mm.

Note:

0.1 mm shim can be used for fine tuning of gear mesh

:: Rear End Build - Bag 7.1, 7.2, 7.3 - Step 3

Kit Setup:

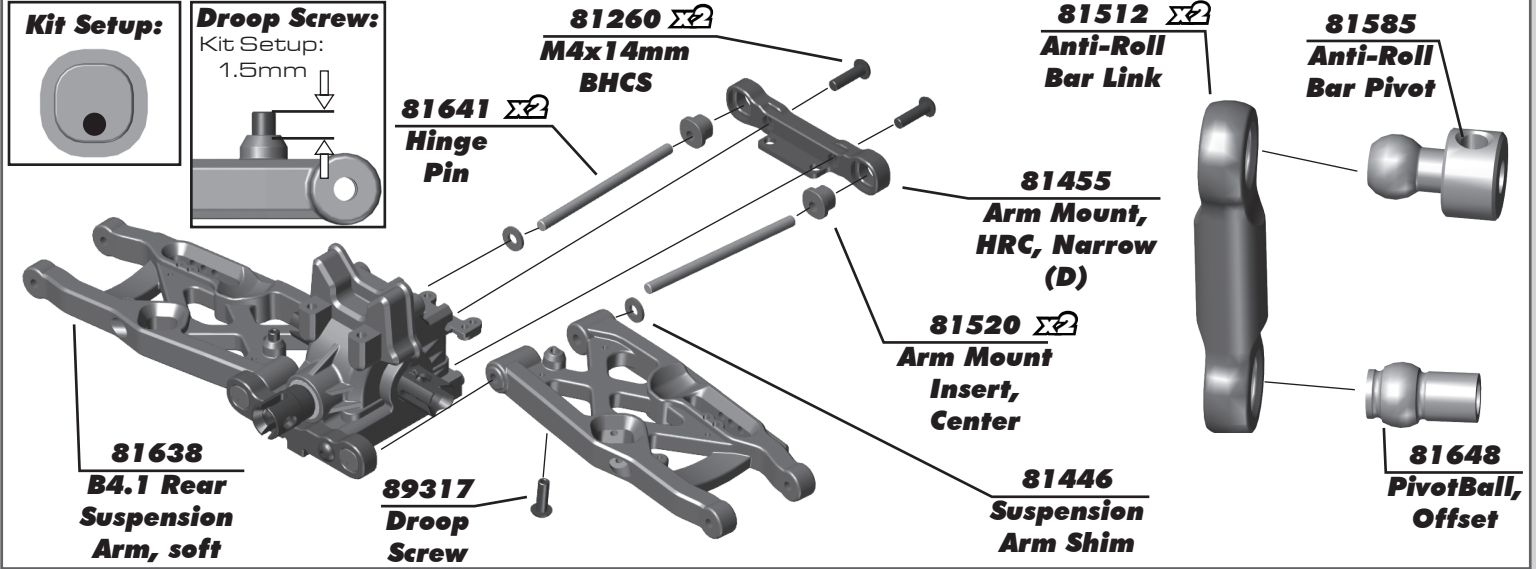


81454
Arm Mount,
HRC, Narrow
(C)

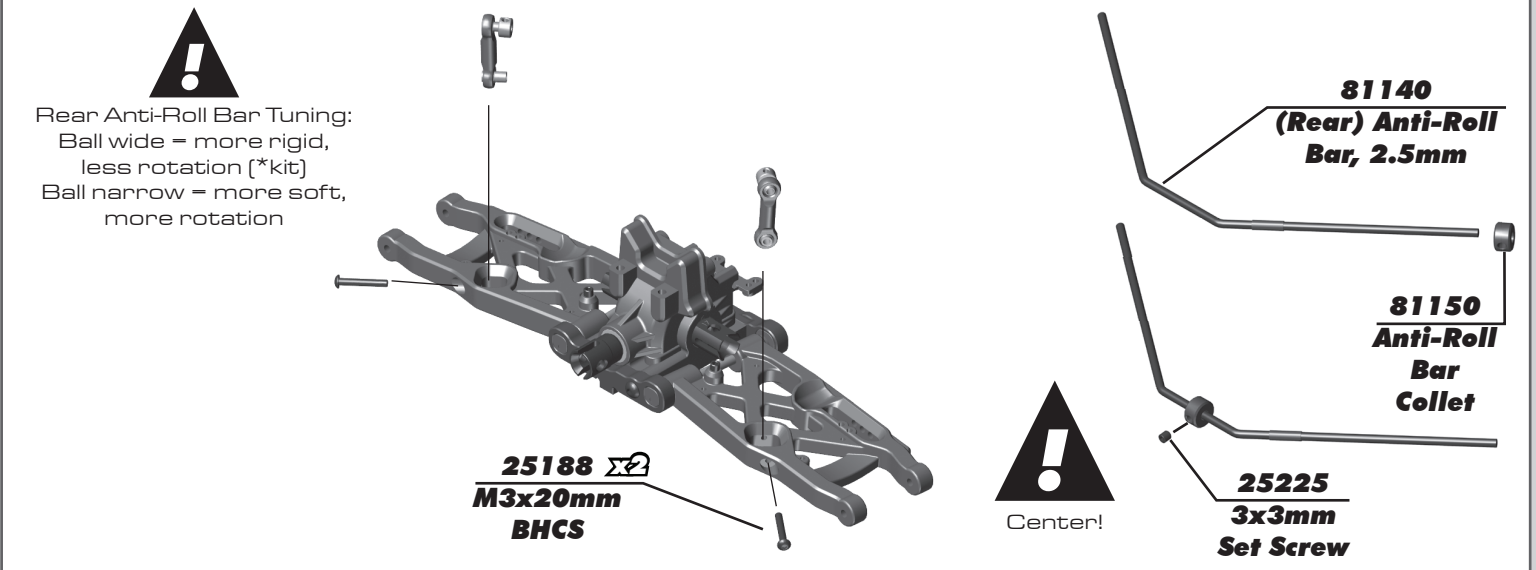
81260 
M4x14mm
BHCS

81520 
Arm Mount
Insert,
Center

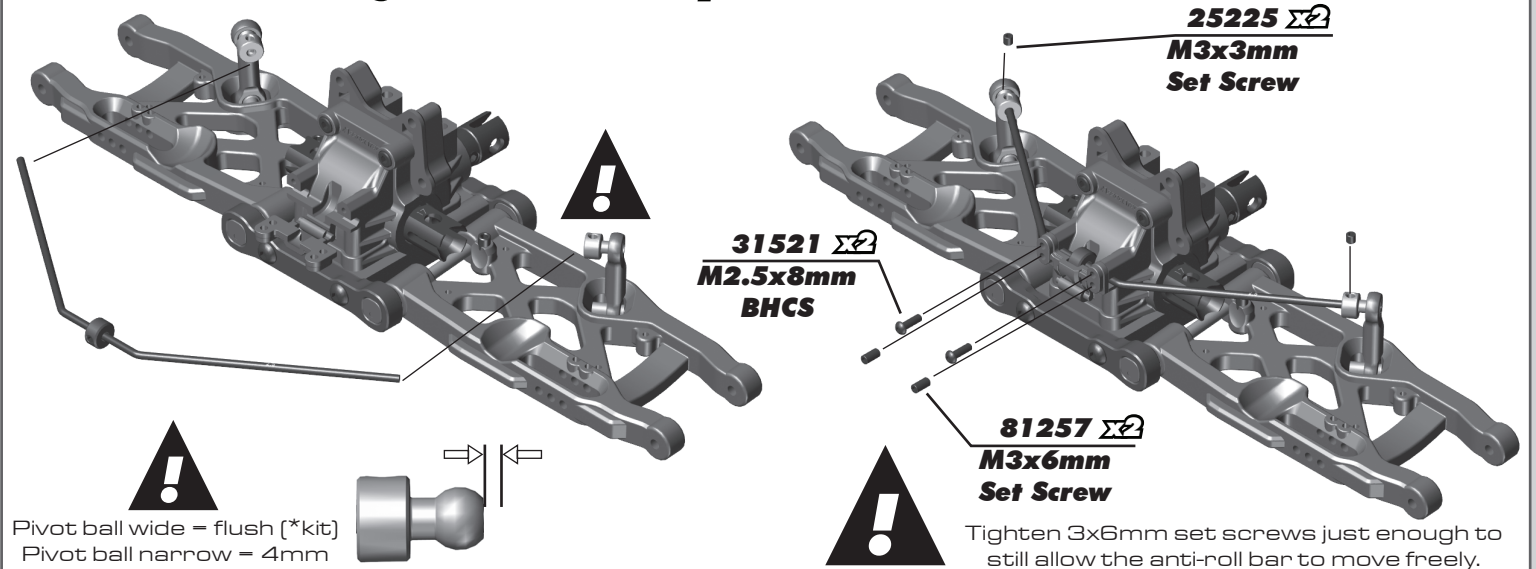
:: Rear End Build - Bag 7.1, 7.2, 7.3 - Step 4



:: Rear End Build - Bag 7.1, 7.2, 7.3 - Step 5



:: Rear End Build - Bag 7.1, 7.2, 7.3 - Step 6



:: Rear End Build - Bag 7.1, 7.2, 7.3 - Step 7



Racer's Tip:

Tune the rear end for more flex with #81562 ball end insert here

31532 $\times 2$
3x8mm
BHCS

81525
Chassis
Brace
Insert

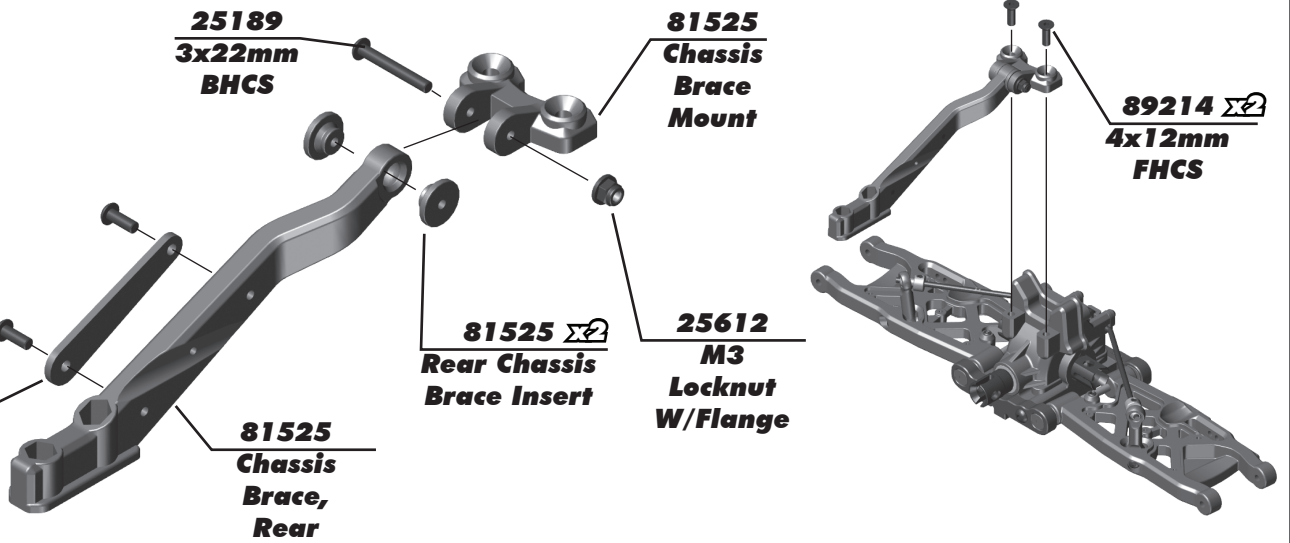
25189
3x22mm
BHCS

81525
Chassis
Brace
Mount

81525 $\times 2$
Rear Chassis
Brace Insert

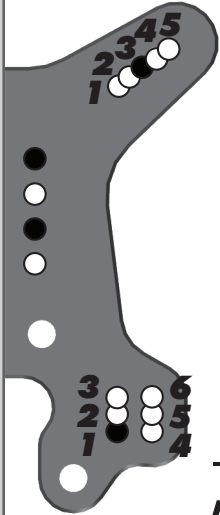
25612
M3
Locknut
W/Flange

89214 $\times 2$
4x12mm
FHCS



:: Rear End Build - Bag 7.1, 7.2, 7.3 - Step 8

Kit Setup:



81508 $\times 2$
Shock
Bushing

89208
M3x14mm
FHCS

CHOOSE ONE

Fin adds straight-line stabilization. Button adds agility in corners.

89208 $\times 2$
3x14mm
FHCS

81524
Body Post,
Rear

81558
Body Post
Grommet

81524
Body Post
Mount, Rear

41090
M3x10mm
LP SHCS

89227 $\times 2$
M3x28mm
SHCS

81634
B4.1 Rear
Shock Tower,
Aluminum,
36.5

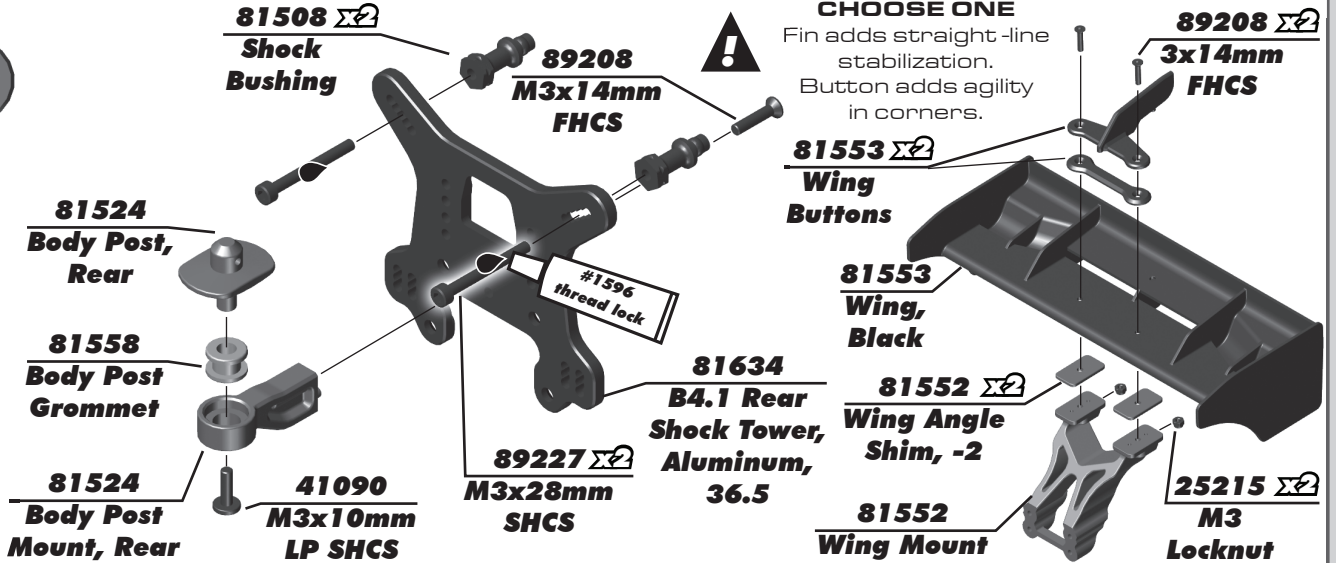
81553 $\times 2$
Wing
Buttons

81553
Wing,
Black

81552 $\times 2$
Wing Angle
Shim, -2

81552
Wing Mount

25215 $\times 2$
M3
Locknut



:: Rear End Build - Bag 7.1, 7.2, 7.3 - Step 9



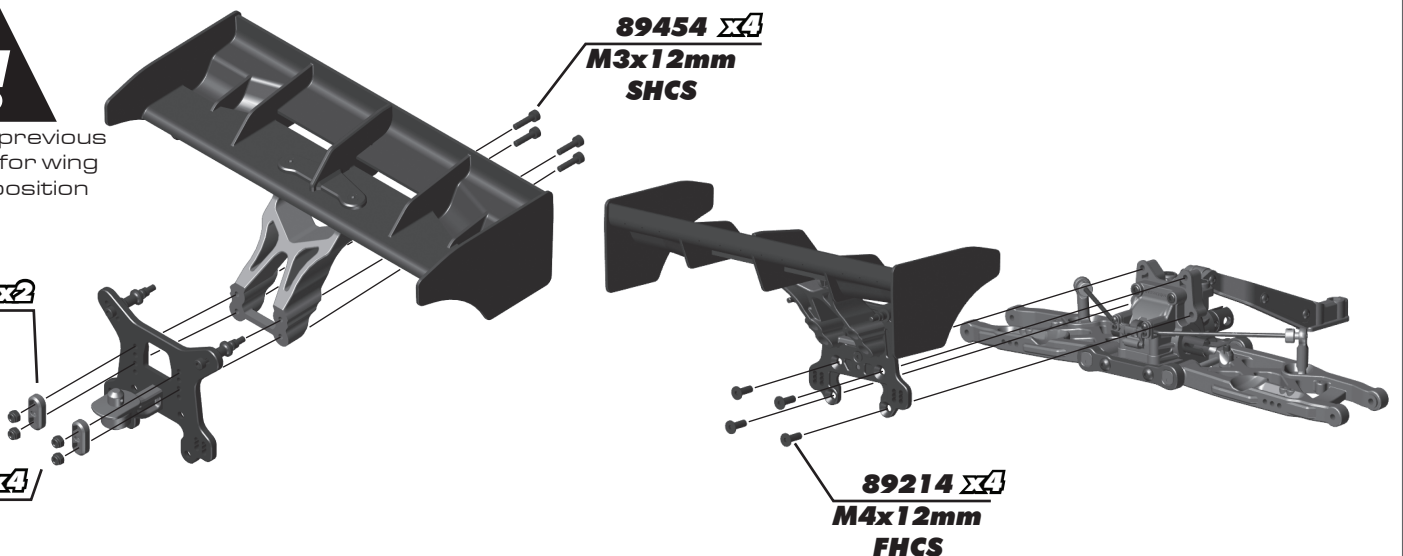
Refer to previous step (8) for wing height position

89454 $\times 4$
M3x12mm
SHCS

81552 $\times 2$
Wing
Mount
Adapter

25215 $\times 4$
M3
Locknut

89214 $\times 4$
M4x12mm
FHCS



:: Rear Hubs Build - Bag 8.1, 8.2 - Step 1

Build two!

81642 $\Sigma 2$
B4.1 Rear Hub Plates (standard)

25188 $\Sigma 2$
M3x20mm BHCS

25188
B4.1 Rear Hub Plates (high/low)

25215 $\Sigma 2$
M3 Locknut

91564 $\Sigma 2$
8x16x5mm Bearing



Tighten set screw before camber link installation.

25215 $\Sigma 2$
3x6mm Set Screw



Racer's Tip:

Use a 2mm drill to punch thru the thin wall between set screws and the hinge pin. Tighten after installation to remove slop.

81081
Wheel Hex, +0mm Wide

89221
5x4mm Set Screw

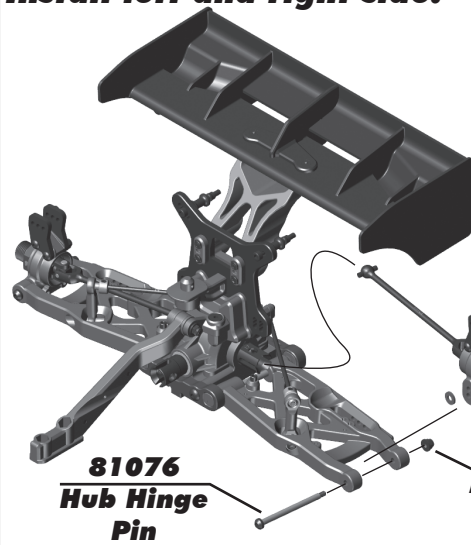
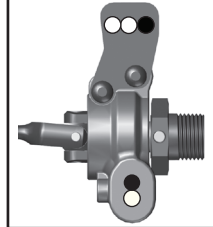
89096
Wheel Hex Pin

#1596
thread lock

:: Rear Hubs Build - Bag 8.1, 8.2 - Step 2

Install left and right side!

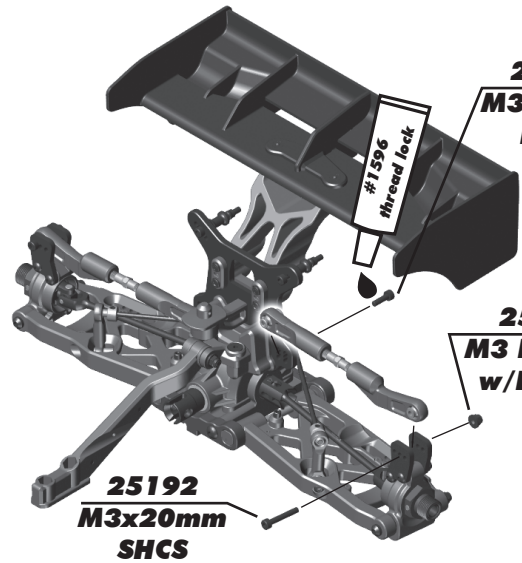
Kit Setup:



81076
Hub Hinge Pin

81642 $\Sigma 2$
B4.1 Rear Hub Shim, 1mm

25612
M3 Locknut w/ Flange



25211
M3x10mm BHCS

#1596
thread lock

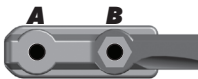
25612
M3 Locknut w/ Flange

25192
M3x20mm SHCS

:: Rear Hubs Build - Bag 8.1, 8.2 - Step 3

Tuning Tip:

Remove screw A for "soft/short" flex configuration.



89216 $\Sigma 2$
M4 Locknut

Kit Setup:

Mount the rear shock in the outside hole on the rear arm.

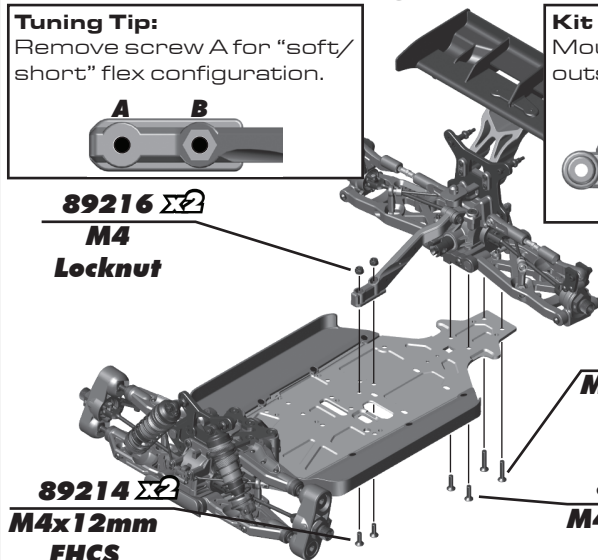


81264 $\Sigma 2$
M4x20mm FHCS

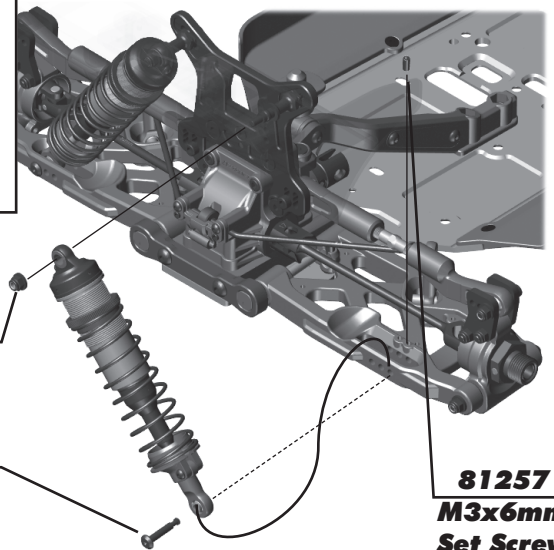
89217 $\Sigma 2$
M4x14mm FHCS

25612
M3 Locknut W/ Flange

81509
Shock Pin



89214 $\Sigma 2$
M4x12mm FHCS



81257
M3x6mm Set Screw

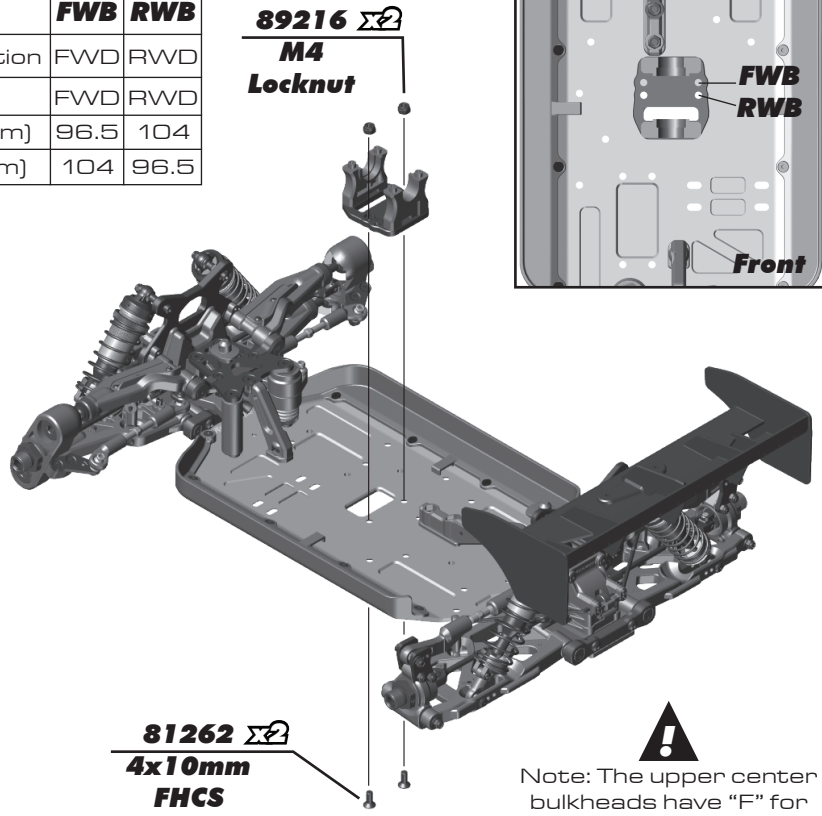
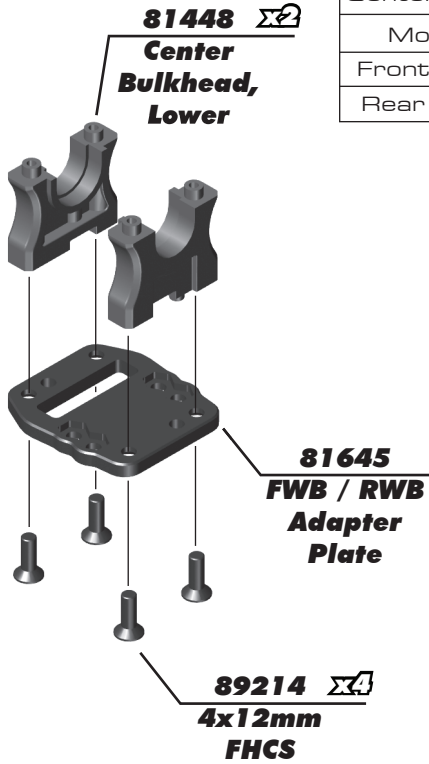
:: Center Bulkhead - Bag 9.1 - Step 1



Note: Do not use brake rotor guides on center bulkheads

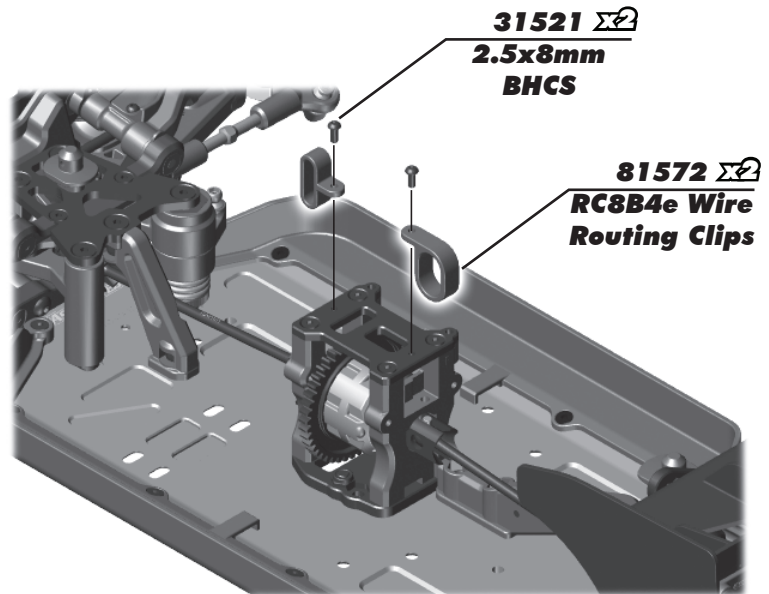
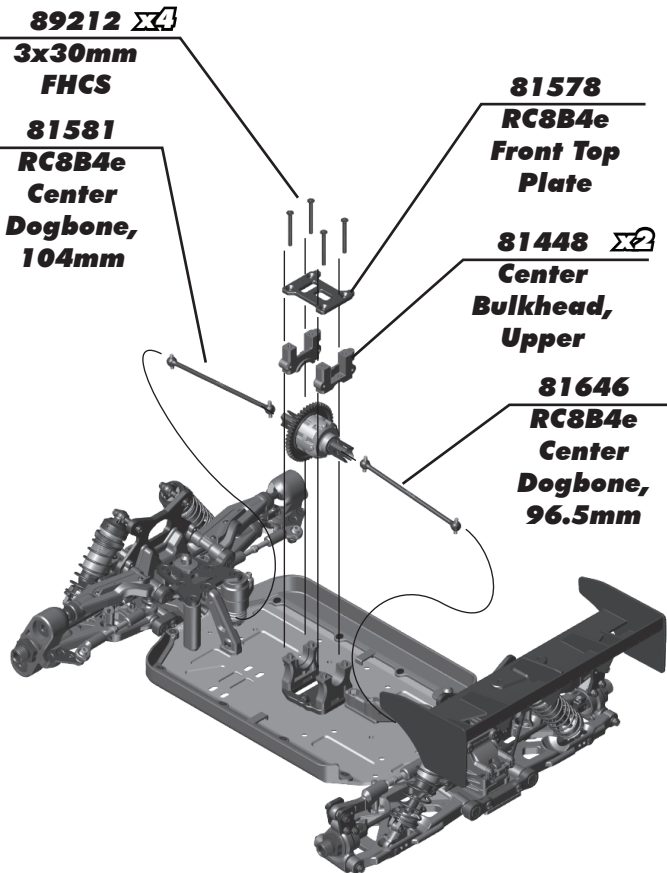
Motor Direction on ESC to Reverse

Weight Bias Setting	FWB	RWB
Center Diff Adapter Position	FWD	RWD
Motor Clamp Position	FWD	RWD
Front Dogbone Shaft (mm)	96.5	104
Rear Dogbone Shaft (mm)	104	96.5



Note: The upper center bulkheads have "F" for front and "R" for rear.

:: Center Bulkhead - Bag 9.1 - Step 2



:: Center Bulkhead - Bag 9.1 - Step 3

81582 RC8B4e Motor Mount, Lower

Optional! 30mm fan (not included)

89454 3x12mm SHCS

#1596 thread lock

81582 RC8B4e Motor Mount, Upper

81114 Engine Mount Washer

#1596 thread lock

81262 4x10mm FHCS

! Fan, motor, and pinion not included. If installing a fan, attach before installing motor mounts. Hardware not included. Maximum screw depth 4mm.

:: Radio Tray Build - Bag 10.1, 11.1 - Step 1

! Install servo splines toward front of buggy! (not included)

41094 3x14mm LP SHCS

31518 2.5x4mm FHCS

(not included)

2

81572 RC8B4e Receiver Box, Lower

1

81572 RC8B4e Receiver Box Wire Clip

! Wire clip fits under this foot!

81572 RC8B4e Servo Mount Wire Clip

! Install servo mount wire clip 1st, then the receiver box to the chassis

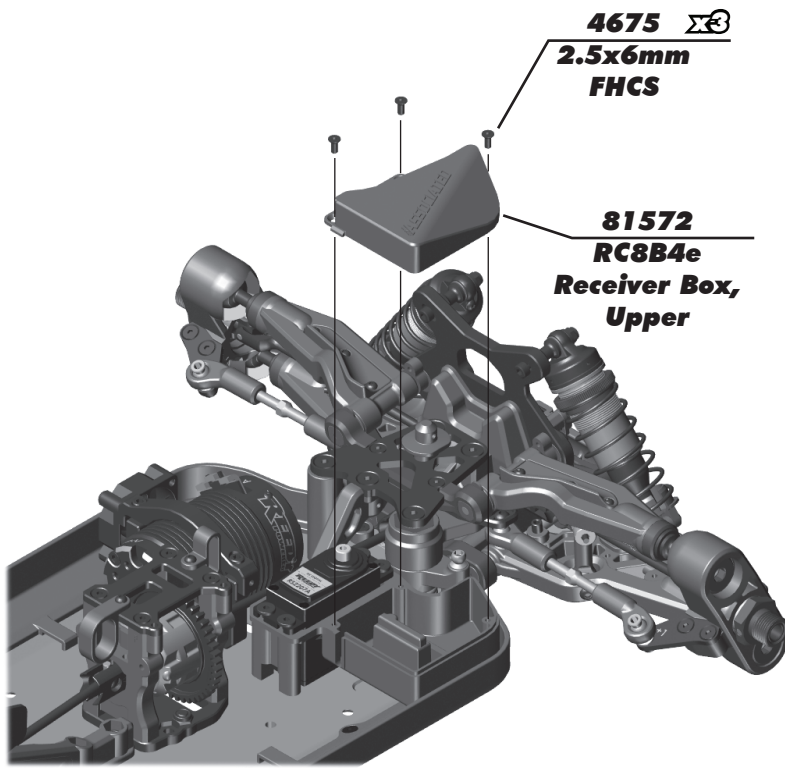
1

4675 2.5x6mm FHCS

2

89214 4x12mm FHCS

:: Radio Tray Build - Bag 11.1 - Step 2



Spline Count



Printed here
23T
25T

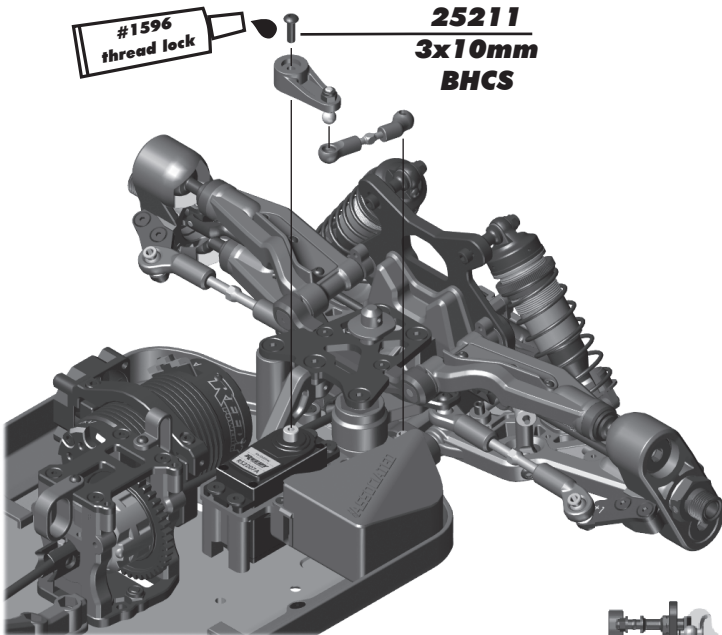
81556
Servo Horn
(Steering)

25215
M3
Locknut

81556
Servo Horn
Insert

91048
HD Ball
Stud, 8mm

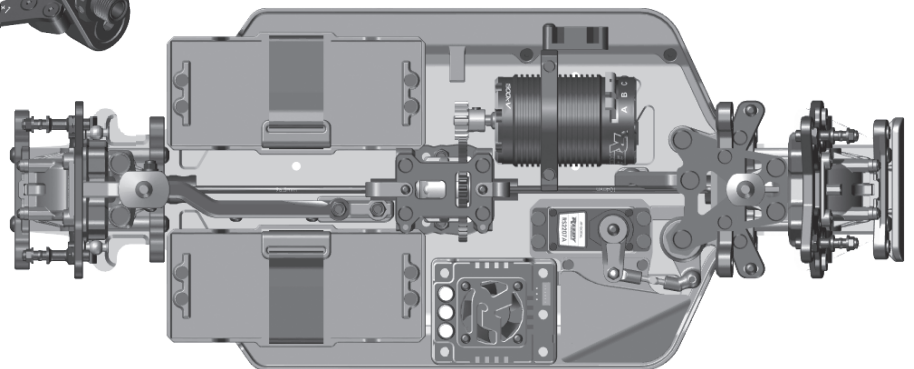
:: Radio Tray Build - Bag 11.1 - Step 3



To build RC8B4.1 e for use with two 2s shorty battery packs in a "saddle" configuration, follow the steps below.

To build RC8B4.1 e for use with onme 4s shorty battery pack, continue to "Battery Tray Build - Bag 12.1 - Step 2"

2s Shorty Pack Configuration



:: Battery Tray Build - Bag 12.1 - Step 1



!!!ALERT!!!

ESC Setup needs motor rotation = REV
Reverse Motor Rotation only



Reverse
ESC in
program
box

(not included)

6727
Servo
Tape

81572
ESC Tray

81574 x2
Battery
Tray Spacer

81584
Hook and
Loop Strap

25201 x4
3x8mm
FHCS

81574
Battery
Tray

89216 x4
M4
Locknut



Use 2s
shorty
battery
only

81262 x4
4x10mm
FHCS

81262 x2
4x10mm
FHCS

:: Battery Tray Build - Bag 12.1 - Step 2

89216 x2
M4
Locknut

(ESC not
included)

6727
Servo
Tape

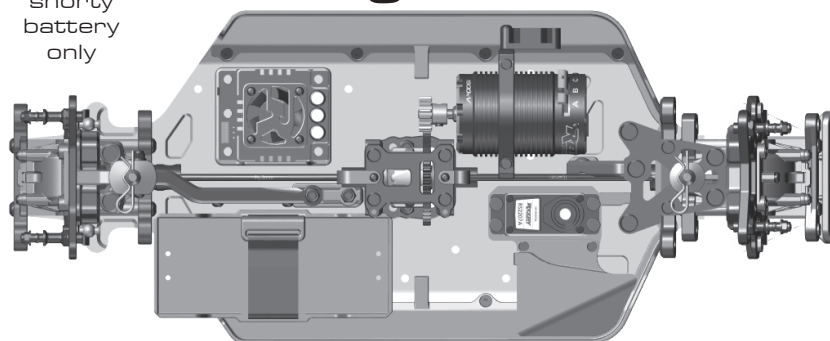
81572
ESC Tray

81262 x4
4x10mm
FHCS



Use 4s
shorty
battery
only

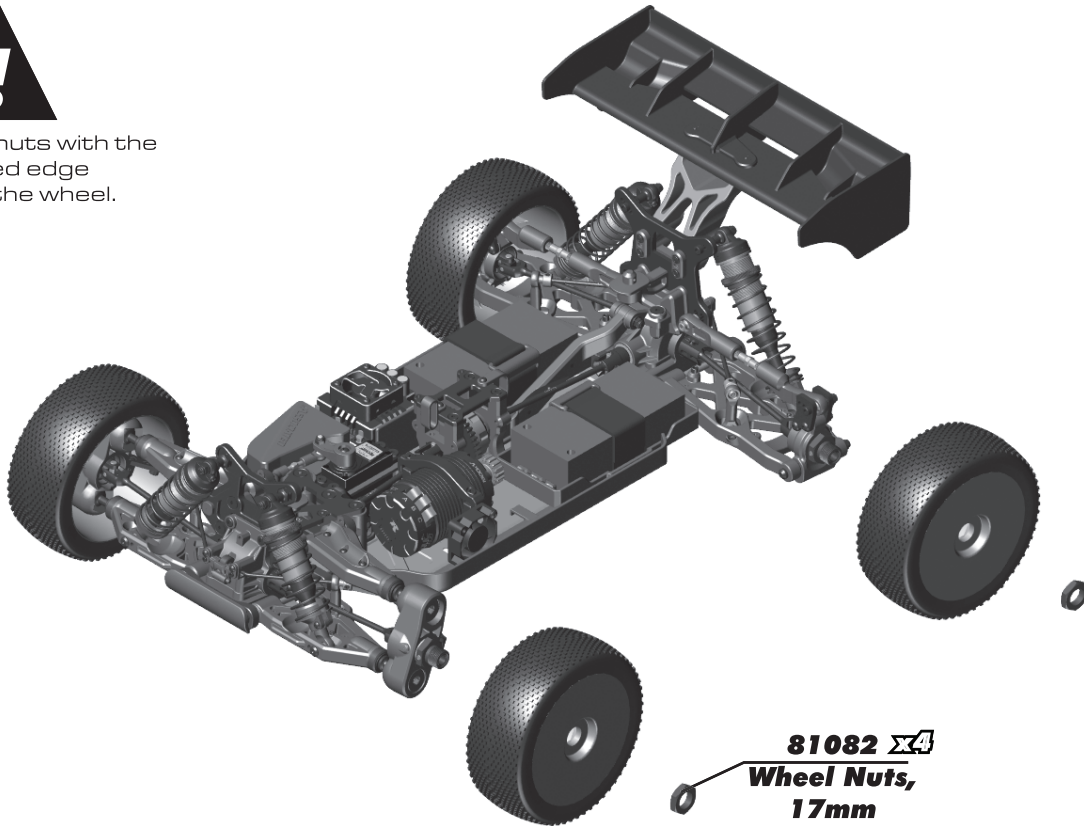
4s Shorty Pack
Configuration



:: Wheels / Tires / Body - Misc. - Step 2



Install wheel nuts with the serrated edge towards the wheel.



81082 x4
Wheel Nuts,
17mm
(Blue)

:: Wheels / Tires / Body - Misc. - Step 3



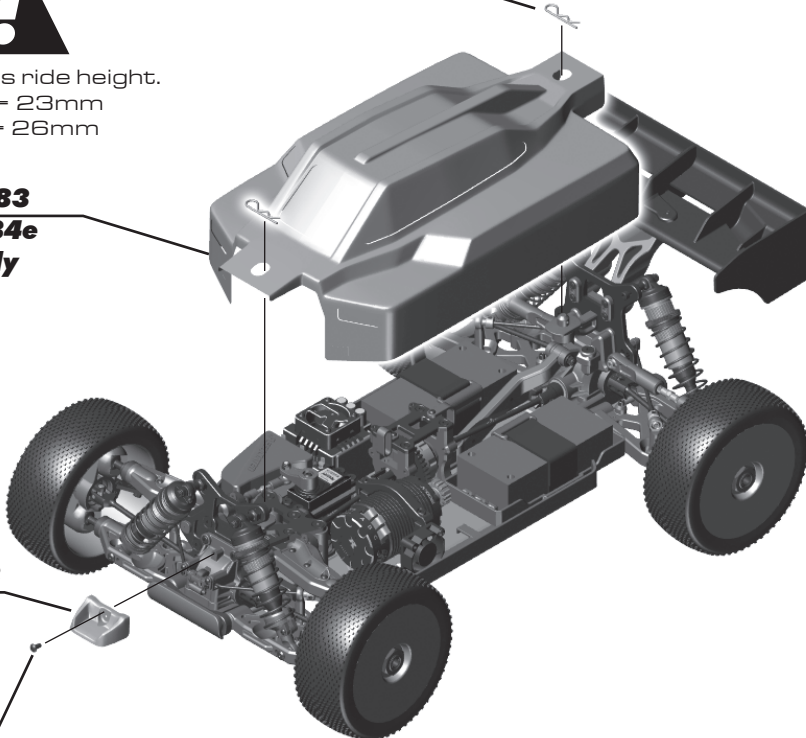
Final chassis ride height.
Front = 23mm
Rear = 26mm

2208 x2
Body Clip

81583
RC8B4e
Body

81583
Nose
Cone

31531
3x6mm
BHCS



Painting Tips:

Your kit comes with a clear polycarbonate body. You will need to prep the body before you can paint it. Wash the inside thoroughly with warm water and liquid detergent. Dry the body using a clean, soft, lint-free cloth. Install the window masks on the inside of the body. (R/C cars get painted from the inside). Using high quality masking tape, apply tape to the inside of the body to create a design. Spray (either rattle can or airbrush R/C specific paint) the paint to the inside of the body (preferably dark colors first, lighter colors last).

NOTE: use ONLY paint that is recommended for use with (polycarbonate) plastics. If you do not, you can destroy the polycarbonate body!!!

After painting, cut the body along the trim lines. Make sure to drill or use a body reamer to make the holes for the body mounts and antenna!

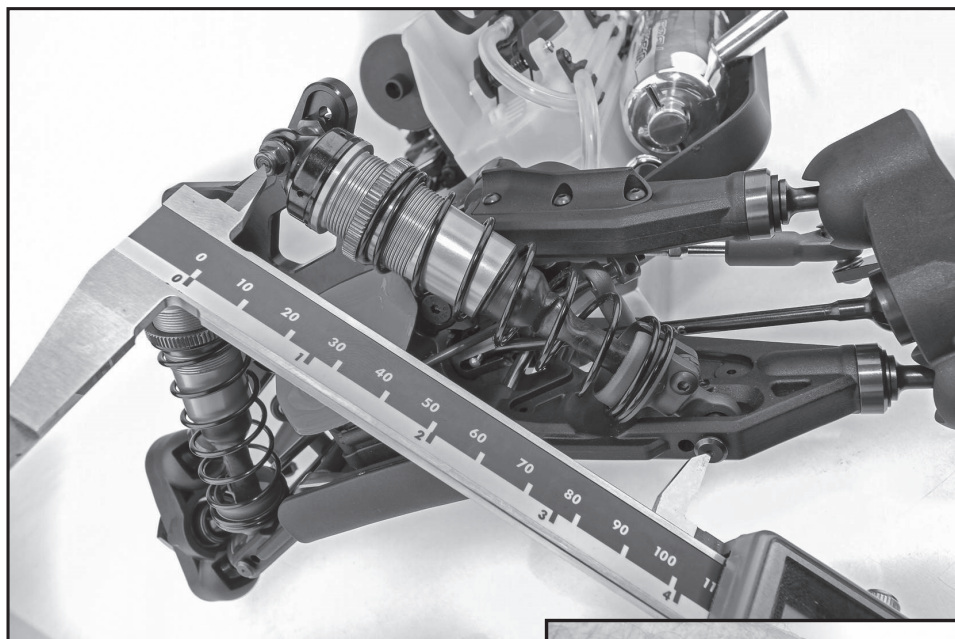
:: Droop Settings

Set droop by measuring overall length of shock (from standoff to shock pin) while the chassis is elevated above your working surface. The shocks should be fully extended.

Kit setup for front droop is 101mm shock length, and 126mm shock length for the rear using "C" hole.

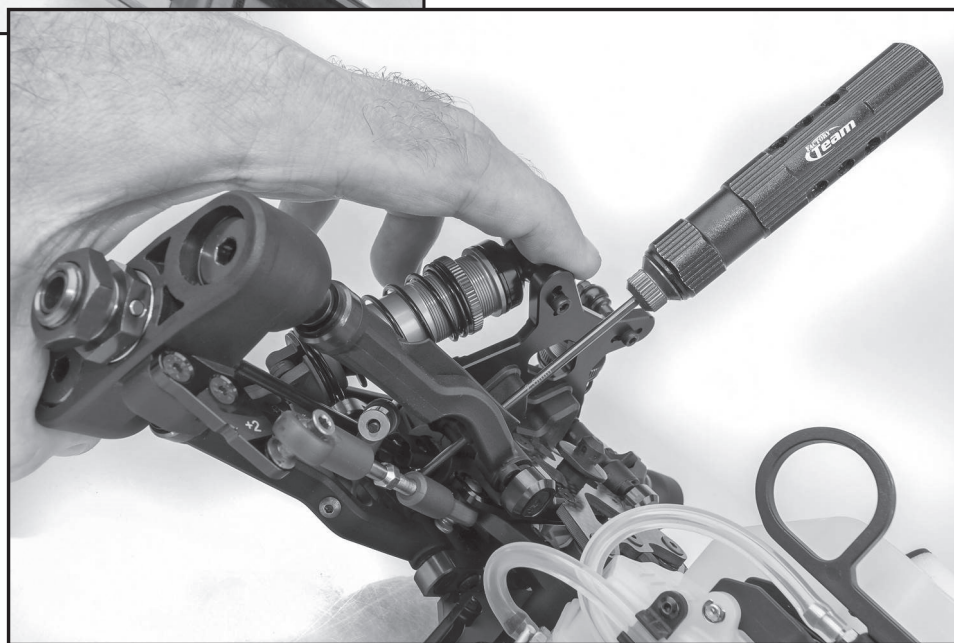
If the shock length is too long, adjust by turning the droop screws clockwise.

If the shock length is too short, adjust by turning the droop screws counter-clockwise.



Racer's Tip:

Use 123mm for the middle "B" rear arm hole, and +2 or 0 eyelet.



Front Droop: Increasing front droop (loosen droop screws) will increase off-throttle steering. It also allows the front end to lift more, giving more rear grip and less front grip on-power. Remember to never loosen the screws beyond the FULL DROOP setting. Decreasing front droop (tighten droop screws) yields more on-power steering and quicker response at the expense of some stability in bumpy sections. It will also give less off-throttle steering.

Rear Droop: Increasing rear droop (loosen droop screws) will increase traction in bumpy sections, but will reduce high-speed stability. Remember to never loosen the screws beyond the FULL DROOP setting. Decreasing rear droop (tighten droop screws) will increase stability in high speed sections, but will reduce stability in bumpy sections.

Setup Sheets:

To find different setups for your kit, visit our website, <https://www.associatedelectrics.com/teamassociated/> and click on the "Setup Sheets" link, and then the link to your model. Our team of professional drivers help develop these setups at races worldwide. Additionally, most drivers have a "base" setup that they use as a starting point for most races. Try running some of our base setups or look for track conditions and tires that are similar to your local track and replicate that setup. Remember, each adjustment has a purpose, so copy everything from the setup sheet and then make adjustments based on the recommendations in here.

FIND IT ON ASSOCIATEDELECTRICS.COM

CARS & TRUCKS



Vehicle Spare Parts

GO TO:

[AssociatedElectrics.com](#) →
[Team Associated tab](#) →
[Cars & Trucks](#) →
[Scroll to your vehicle](#) →
[Parts & Accessories link](#)

SETUP SHEETS & MANUALS



Setups and Manuals

GO TO:

[AssociatedElectrics.com](#) →
[Team Associated tab](#) →
[Manuals & Setups](#) →
[Scroll to your vehicle](#)

A-TEAM APPS



Tuning Guides & Tips

GO TO:

[AssociatedElectrics.com](#) →
[Support](#) →
[A-Team Apps](#)



Associated Electrics, Inc.

21062 Bake Parkway Lake Forest, CA 92630 USA

call: (949) 544-7500 - fax: (949) 544-7501

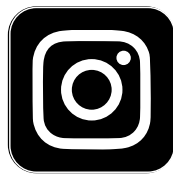
**Check out the following web sites for all of our kits, current products,
new releases, setup help, tips, and racing info!**

www.AssociatedElectrics.com

FOLLOW US ON SOCIAL MEDIA



TeamAssociated
ReedyPower
ElementRC
Factory Team



@TeamAssociatedRC
@ReedyPower
@Element_RC
@FactoryTeam_RC



@Team_Associated
@ReedyPower



@Associated_Electrics