

Front Suspension:

Ride Height: _____


Camber: _____

Toe: _____

Anti-Roll Bar

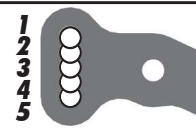
Size: _____

Gap: _____



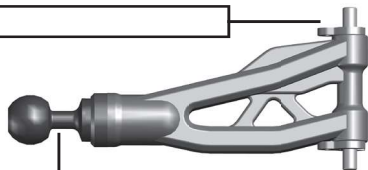
Ackerman

1
2
3
4
5



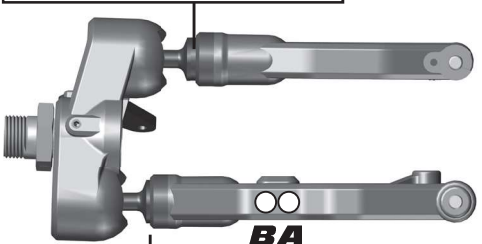
Notes:

Caster Shim: _____



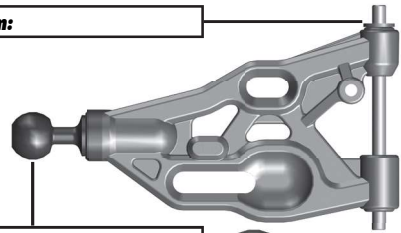
Upper Ball Type: _____

Upper Ball Shim: _____




Lower Ball Shim: _____

Wheelbase Shim: _____




Lower Ball Type: _____


Upper Arm Mount: _____



Arm Mount A: _____



Arm Mount B: _____



Rear Suspension:

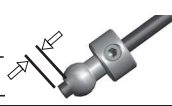
Ride Height: _____

Camber: _____

Anti-Roll Bar

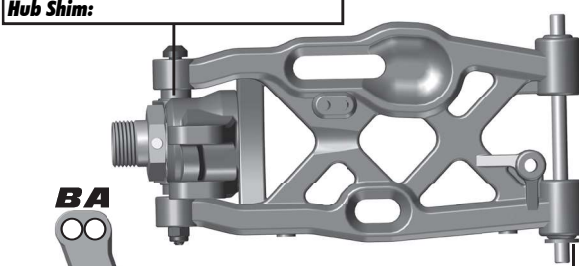
Size: _____

Gap: _____




Notes:


Hub Shim: _____




Arm Mount C: _____



Arm Mount D: _____



Wheelbase Shim: _____



Electronics:

Motor & Wind: _____

ESC: _____

Battery: _____

Radio: _____

Steering Servo: _____

Throttle Expo: _____

Steering Expo: _____

Initial Brake: _____

Drag Brake: _____

Dual Rate: _____

Notes:

Differential Fluid:

Front: _____

Center: _____

Rear: _____

Notes: _____

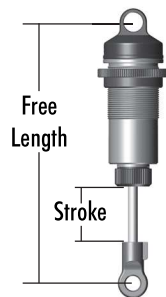
Gearing & ESC Setting:

Spur Gear: _____ **Pinion:** _____

ESC Setting: _____

Shocks:

	Front	Rear
Piston:	_____	_____
Fluid:	_____	_____
Spring:	_____	_____
Stroke:	_____	_____
Free Length:	_____	_____
Notes:	_____	



Track Info:

Size: Small Medium Large Extra Large

Surface: Dirt Carpet Astroturf Multi Surface

Traction: Low Medium High Very High

Moisture: Dry Damp Wet

Condition: Indoor Outdoor Dusty Hard Packed
 Bumpy Grooved Smooth Loamy

Temperature: Ambient: _____ Track: _____

Notes: _____

Tires:

Front Tires: _____

Front Compound: _____

Front Insert: _____

Rear Tires: _____

Rear Compound: _____

Rear Insert: _____

Wheel (F/R): _____

Notes: _____

Body, Wing

Body: _____

Wing: _____

Wing Height: High: Low:

Gap to Tower: _____

Vehicle Comments:

Weight:

Total Vehicle Weight: _____ **Notes:** _____