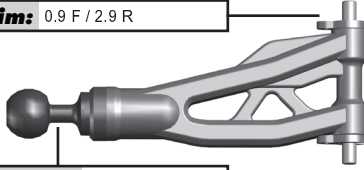
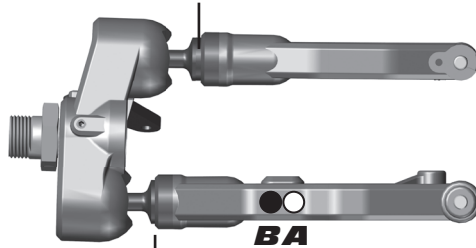
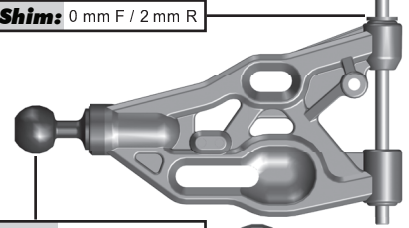


RESET
Front Suspension:

Ride Height: 26 mm
Camber: N/A
Toe: + 1/2
Anti-Roll Bar
Size: 2.3 mm (Black)
Gap: 2.3 mm
Ackerman
1 2 3 4 5
Notes: #81064 Steering Block Arm +2 Deg; #89095 Hex; #81029 Carbon Front Shock Tower; #81301 Short Chassis Brace 1mm Removed From Front of A-Arm 2mm Spacer Between Sway Bar Links

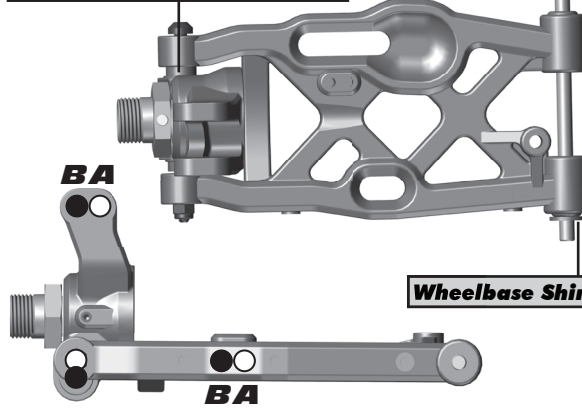
Caster Shim: 0.9 F / 2.9 R

Upper Ball Type: #81068 Aluminum

Upper Ball Shim: 0

Lower Ball Shim: 0

Wheelbase Shim: 0 mm F / 2 mm R

Lower Ball Type: #81068 Aluminum

Upper Arm Mount:
Arm Mount A:
Arm Mount B:
Rear Suspension:

Ride Height: 28 mm
Camber: -3
Anti-Roll Bar
Size: 2.7 mm (Blue)
Gap: 0 mm
Notes: #89095 Hex; #81029 Carbon Rear Shock Tower; #81301 Short Chassis Brace Sway Bar Link Moved 2mm Back In A-Arm

Hub Shim: 2.5 mm

Arm Mount C:
Arm Mount D:
Wheelbase Shim: 0 mm F / 1 mm R

Electronics:

Radio: Airtronics M12S
Servo: MKS
EPA: Throttle: 100 % Brake: 80% %
EXPO: Throttle: N/A % Brake: N/A %
ESC: LRP iX8
Motor: LRP 2200 kV
Battery: LRP 6600 mAh
Notes:

Differential Fluid:

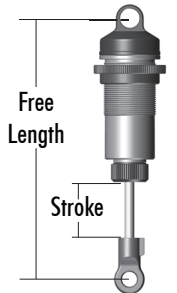
Front: 7,000
Center: 20,000
Rear: 4,000
Notes: V1 Diffs

Gearings:

Spur Gear: 46	Pinion: 15
Notes:	

Shocks:

	Front	Rear
Piston:	6 x 1.3 Flat	6 x 1.3 Flat
Fluid:	42.5 wt	35 wt
Spring:	9.0T	10.75T
Stroke:	N/A	N/A
Free Length:	105 mm	121 mm
Notes: Emulsion Shock		


Track Info:

Size: Small <input type="checkbox"/> Medium <input type="checkbox"/> Large <input checked="" type="checkbox"/> Extra Large <input type="checkbox"/>
Surface: Dirt <input checked="" type="checkbox"/> Carpet <input type="checkbox"/> Astroturf <input type="checkbox"/> Multi Surface <input type="checkbox"/>
Traction: Low <input type="checkbox"/> Medium <input checked="" type="checkbox"/> High <input type="checkbox"/> Very High <input type="checkbox"/>
Moisture: Dry <input type="checkbox"/> Damp <input checked="" type="checkbox"/> Wet <input type="checkbox"/>
Condition: Indoor <input type="checkbox"/> Outdoor <input checked="" type="checkbox"/> Dusty <input type="checkbox"/> Hard Packed <input type="checkbox"/> Bumpy <input checked="" type="checkbox"/> Grooved <input type="checkbox"/> Smooth <input type="checkbox"/> Loamy <input type="checkbox"/>
Temperature: Ambient: Track:
Notes:

Tires:

Front Tires: Pro-Line Holeshot
Front Compound: X3
Front Insert: Pro-Line
Rear Tires: Pro-Line Holeshot
Rear Compound: X3
Rear Insert: Pro-Line
Wheel (F/R): Pro-Line
Notes:

Body, Wings:

Body: Team Associated Kit
Wing: Team Associated Kit
Wing Height: High: <input type="checkbox"/> Low: <input checked="" type="checkbox"/>
Gap to Tower: Wing Moved 10mm Back
Weight:
Total Vehicle Weight:
Notes:

Vehicle Comments:

Notes:
