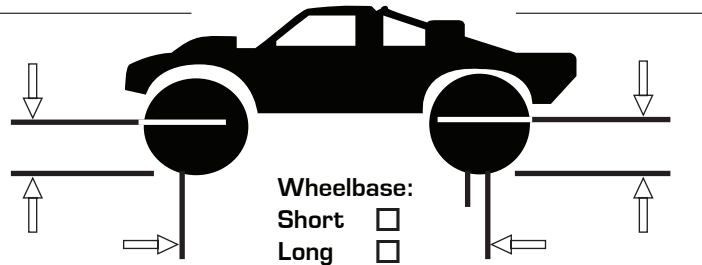


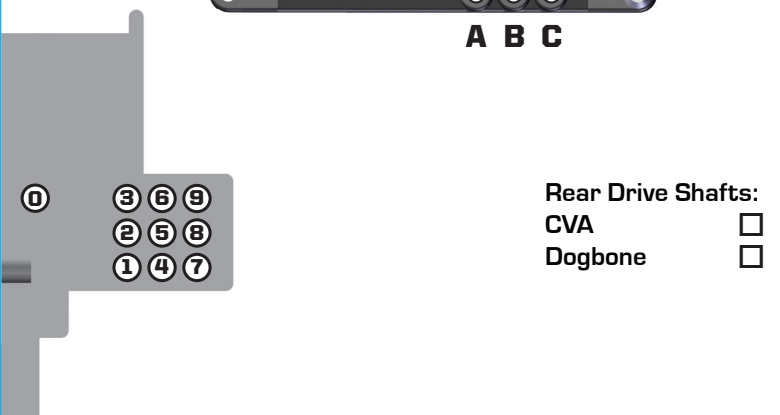
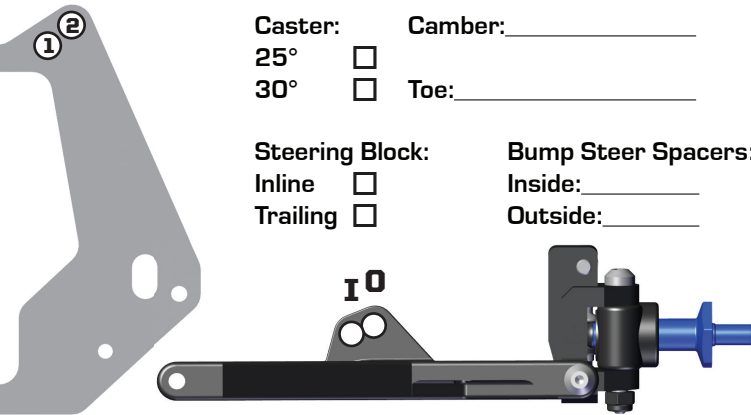
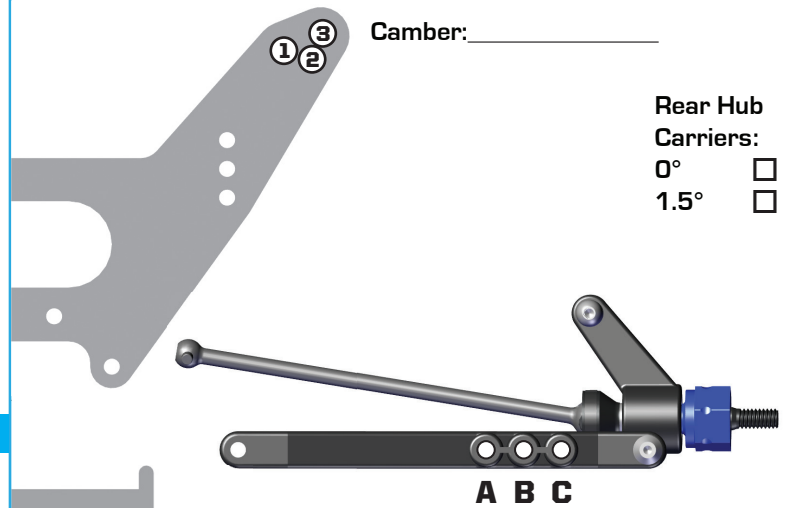
**RIDE HEIGHT / WHEELBASE**

Front Ride Height: \_\_\_\_\_

Rear Ride Height: \_\_\_\_\_



**REAR SUSPENSION**



**FRONT SHOCKS**

Shock Body: \_\_\_\_\_ Shock Shaft: \_\_\_\_\_  
 Spring: \_\_\_\_\_ Piston: \_\_\_\_\_  
 Shock Fluid: \_\_\_\_\_ Eyelet: \_\_\_\_\_  
 Limiters - Int: \_\_\_\_\_ Ext: \_\_\_\_\_ Stroke: \_\_\_\_\_  
 Notes: \_\_\_\_\_

**REAR SHOCKS**

Shock Body: \_\_\_\_\_ Shock Shaft: \_\_\_\_\_  
 Spring: \_\_\_\_\_ Piston: \_\_\_\_\_  
 Shock Fluid: \_\_\_\_\_ Eyelet: \_\_\_\_\_  
 Limiters - Int: \_\_\_\_\_ Ext: \_\_\_\_\_ Stroke: \_\_\_\_\_  
 Notes: \_\_\_\_\_

**MOTOR / BATTERY**

Motor & Wind: \_\_\_\_\_  
 Pinion: \_\_\_\_\_ Spur Gear: \_\_\_\_\_  
 Battery: \_\_\_\_\_

**RADIO / ESC SETTINGS**

Radio: \_\_\_\_\_  
 Throttle / Brake: E.P.A: \_\_\_\_\_ Expo: \_\_\_\_\_  
 Servo: \_\_\_\_\_ Steering Expo: \_\_\_\_\_  
 ESC: \_\_\_\_\_  
 ESC Settings: \_\_\_\_\_

**DRIVETRAIN**

Slipper: \_\_\_\_\_  
 2 Pads  3 Pads  4 Pads   
 Notes: \_\_\_\_\_

**OTHER**

Body Type: \_\_\_\_\_  
 Wing Type: \_\_\_\_\_

**WEIGHT**

Battery Placement: \_\_\_\_\_  
 Ballast Weight: \_\_\_\_\_  
 Notes: \_\_\_\_\_

**REAR TIRES**

Tire: \_\_\_\_\_  
 Compound: \_\_\_\_\_  
 Insert: \_\_\_\_\_ Wheel: \_\_\_\_\_

**FRONT TIRES**

Tire: \_\_\_\_\_  
 Compound: \_\_\_\_\_  
 Insert: \_\_\_\_\_ Wheel: \_\_\_\_\_

**TRACK CONDITIONS**

Surface:	Traction:	Conditions:	Moisture:
Dirt <input type="checkbox"/>	Low <input type="checkbox"/>	Grooved <input type="checkbox"/>	Wet <input type="checkbox"/>
Carpet <input type="checkbox"/>	Medium <input type="checkbox"/>	Dusty <input type="checkbox"/>	Damp <input type="checkbox"/>
Astro <input type="checkbox"/>	High <input type="checkbox"/>	Smooth <input type="checkbox"/>	Dry <input type="checkbox"/>
Multi <input type="checkbox"/>		Bumpy <input type="checkbox"/>	
		Hard Pack <input type="checkbox"/>	
		Loamy <input type="checkbox"/>	

**RACE & VEHICLE COMMENTS**

Qualify: \_\_\_\_\_ Main: \_\_\_\_\_ Finish: \_\_\_\_\_ TQ: \_\_\_\_\_