

C4.5

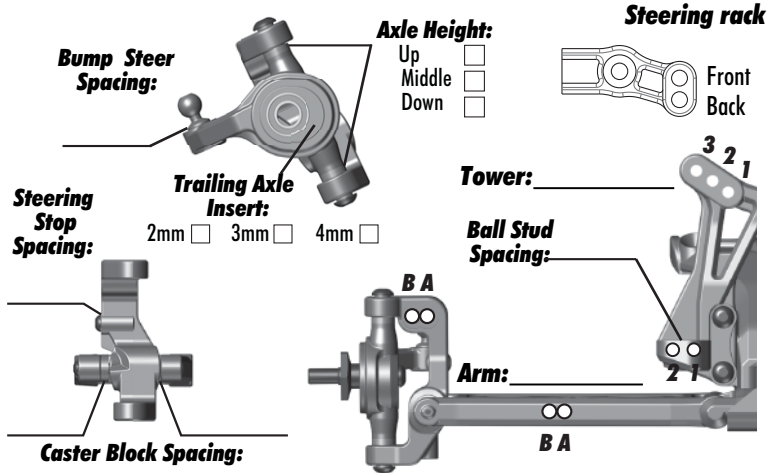
Setup Sheet

Driver: _____
 Date: _____
 Surface: _____
 Conditions: _____

Track: _____
 Event: _____
 Traction: _____
 Moisture: _____ T°: _____

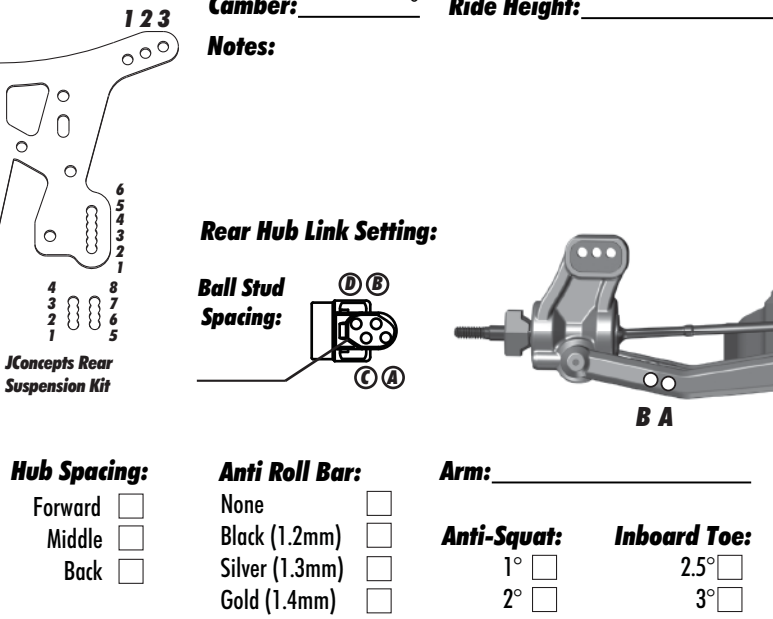
Front Suspension

Toe: _____° Camber: _____° Kick-Up angle: _____°
 Ride Height: _____ Caster Insert: _____°
 Notes: _____



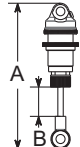
Rear Suspension

Camber: _____° Ride Height: _____
 Notes: _____



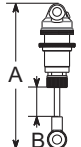
Front Shocks

Oil: _____ Piston: _____
 Spring: _____ Limiters: _____
 Length A: _____ mm Length B: _____ mm



Rear Shocks

Oil: _____ Piston: _____
 Spring: _____ Limiters: _____
 Length A: _____ mm Length B: _____ mm



Front Tires

Tire: _____ Compound: _____
 Wheel: _____ Insert: _____
 Comments: _____

Rear Tires

Tire: _____ Compound: _____
 Wheel: _____ Insert: _____
 Comments: _____

Electronics

Motor: _____
 Pinion: _____ Spur: _____
 Batteries: _____ Placement: _____
 Radio: _____ Servo: _____

Differential & Slipper

Throttle/Brake EPA: _____
 Throttle/Brake Expo: _____
 ESC: _____
 ESC Setting: _____

Body & Wing

Body: _____
 Wing: _____ Angle: _____°
 Comments: _____

Weight Distribution

Gear Differential **Fluid:** _____
Ball Differential **Setting:** _____
Slipper: _____ 2 Pads 3 Pads 4 Pads

Bulkhead Weight: Plastic Alloy Brass

Hinge Pins Brace: Plastic Alloy Brass

Options Weights: Front Posts Ackermann Under Bellcrank LiPo Holder Rear Arm Mount

Chassis Brace

Bulkhead Weight: 5g 10g 15g

Race & Car Comments

Qualify: _____ Main: _____ Finish: _____
 Comments: _____