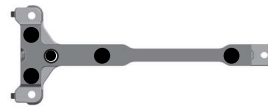


Front Suspension:

RESET

Ride Height:	17mm (Body On)
Camber:	-1*
Toe:	Tierod Gap = 17.3mm
Anti-Roll Bar:	1.2mm
Arm Type:	#92328 FT Gullwing, Carbon
Tower Type:	#92314 Kit
Wheelbase Shim:	0.5mm Behind Arm
Wheel Hex:	#91862 FT Hex, 4.0mm
Caster Block:	8° <input checked="" type="checkbox"/> 9° <input type="checkbox"/> 10° <input type="checkbox"/>
Chassis Brace Support:	#92284 FT Carbon, 2mm
Top Plate Brace:	N/A
Front Axles:	CVA <input checked="" type="checkbox"/> DCV <input type="checkbox"/>
Notes:	#92300 FT Chassis Braces, Carbon Use 4.0mm Hex With Jconcepts Front Wheel 3353w Use 5.0mm Hex With #92362 Team Associated +1.5mm Wheel

Front Chassis Brace Screws:



Steering Rack:



Axle Height: +3 +2 +1 0

Ball Stud Spacing: 0

Steering Plate: #92373 FT Steering Plate, +2

Arm Mount A:



Ball Stud Spacing:



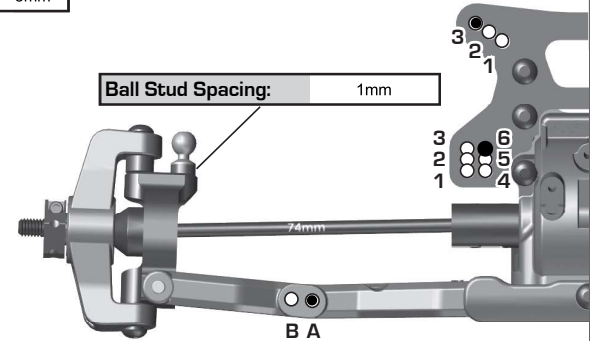
Ball Stud Spacing: 1mm

Arm Mount B:



Diff Height:

+2
+0



Rear Suspension:

Ride Height:	17mm (Body On)
Camber:	-1*
Anti-Roll Bar:	1.3mm
Arm Type:	#92298 FT B74, Carbon
Wheelbase Shim:	2mm Behind (Arms Forward)
Wheel Hex:	#71034 FT Clamping Hex, 6.0mm
Chassis Brace Support:	#92284 FT Carbon, 2mm
Hub Spacing:	Fwd <input type="checkbox"/> Mid <input checked="" type="checkbox"/> Back <input type="checkbox"/>
Notes:	#92300 FT Chassis Braces, Carbon #92441 B7 Hub Link Mount, +1mm

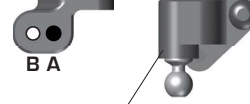
Rear Chassis Brace Screws:



Diff Height:

+3
+2
+1
+0

Vertical Ball Stud Mount:



Ball Stud Spacing: 4mm

Arm Mount C:



Camber Link Spacing: 0 / Reversed

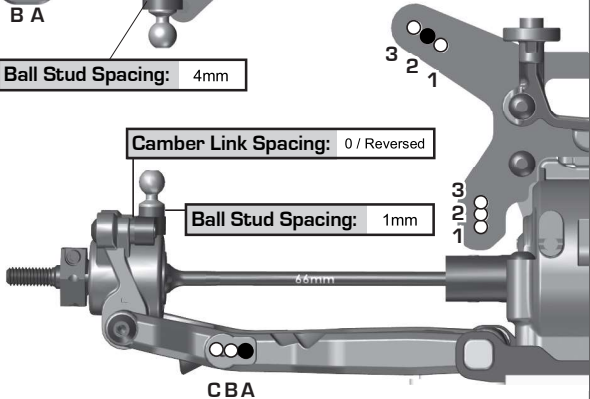
Ball Stud Spacing: 1mm

Arm Mount D:



Axle Height:

<input type="checkbox"/>	▼0	3▲	+3
<input type="checkbox"/>	▼1	2▲	+2
<input type="checkbox"/>	▲1	2▼	+1
<input checked="" type="checkbox"/>	▲0	3▼	+0



Electronics:

Radio:	Futaba T10PX	Servo:	Savox SB-2262
EPA: Throttle:	93 %	Brake:	90 %
ESC:	XR10 Pro G2s		
ESC Settings:	See Setup Sheet		
Motor / Wind:	Hobbywing 6.0T	Timing:	30*
Pinion:	#1339 FT 21T	Spur:	#92149 78T
Battery:	Protek 4800		
Battery Position:	Back 1 <input type="checkbox"/> 2 <input type="checkbox"/> 3 <input type="checkbox"/> 4 <input checked="" type="checkbox"/> Forward		
Battery Weight:	None		

Differential:

	Front	Center	Rear
Fluid:	FT 12.5k Mixed	FT 350k Mixed	#5455 FT 10k
Gears:	#92307 Plastic	#92076 Plastic	#92307 Plastic
Type:	LTC	HTC	LTC
Notes:	#92318 FT Ring & Pinion, Molded		

Shocks:

	Front	Rear
Piston:	2 x 1.7	2 x 1.8 + 1 x 1.1
Thickness:	#91933 FT 2.5mm	#91934 FT 2.5mm
Fluid:	#5474 FT 35wt	#5471 FT 27.5wt
Spring:	#91944 13mm, Red	1Up Yellow
Limiters:	Int: 0 Ext: 3mm	Int: 0 Ext: 2mm
Stroke:	23.5mm	28mm
Eyelet Length:	+2	+0
Cup Offset:	5mm	0mm
Notes:	#91986 FT Fox Shock Upgrade Kit	



Track Info:

Size:	Small <input type="checkbox"/> Medium <input checked="" type="checkbox"/> Large <input type="checkbox"/> Extra Large <input type="checkbox"/>
Surface:	Dirt <input checked="" type="checkbox"/> Carpet <input type="checkbox"/> AstroTurf <input type="checkbox"/> Multi Surface <input type="checkbox"/>
Traction:	Low <input type="checkbox"/> Medium <input type="checkbox"/> High <input checked="" type="checkbox"/> Very High <input type="checkbox"/>
Moisture:	Dry <input checked="" type="checkbox"/> Damp <input type="checkbox"/> Wet <input type="checkbox"/>
Condition:	Indoor <input checked="" type="checkbox"/> Outdoor <input type="checkbox"/> Bumpy <input type="checkbox"/> Smooth <input type="checkbox"/>
Temperature:	Ambient: 80F Track: 80F
Vehicle Comments:	Protek Carbon Fiber Side Guards

Tires:

Front Tires / Compound / Insert / Wheel:	JConcepts Smoothie2 / Aqua / JConcepts Dirt Tech / JConcepts Mono
Rear Tires / Compound / Insert / Wheel:	JJConcepts Smoothie2 / Aqua / JConcepts Dirt Tech / JConcepts Mono
Notes:	Front Sidewalls Glued

Body, Wing, Weight:

Body:	JConcepts F2
Front Wing:	Yes <input checked="" type="checkbox"/> No <input type="checkbox"/>
Rear Wing:	Jconcepts Aero, 7"
Wing Angle:	0° <input type="checkbox"/> 6° <input checked="" type="checkbox"/>
Wing Mount Height:	0 <input checked="" type="checkbox"/> -2 <input type="checkbox"/>
Total Vehicle Weight:	~1540g