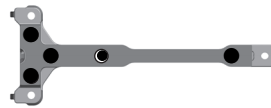


## Front Suspension:

RESET

Ride Height:	12mm
Camber:	-1.5
Toe:	+1
Anti-Roll Bar:	1.7
Arm Type:	FLAT Carbon
Tower Type:	LSP SL
Wheelbase Shim:	1mm Behind arm
Wheel Hex:	4mm
Caster Block:	8° <input type="checkbox"/> 9° <input type="checkbox"/> 10° <input checked="" type="checkbox"/>
Chassis Brace Support:	Carbon 2.5
Top Plate Brace:	no
Front Axles:	CVA <input type="checkbox"/> DCV <input checked="" type="checkbox"/>
Notes:	

### Front Chassis Brace Screws:



### Steering Rack:

Steering Rack: +3



Axle Height: +3  +2  +1  0

Ball Stud Spacing: 0mm

Steering Plate: LSP 2

### Arm Mount A:

Alu



### Ball Stud Spacing:

1



Ball Stud Spacing: 1mm

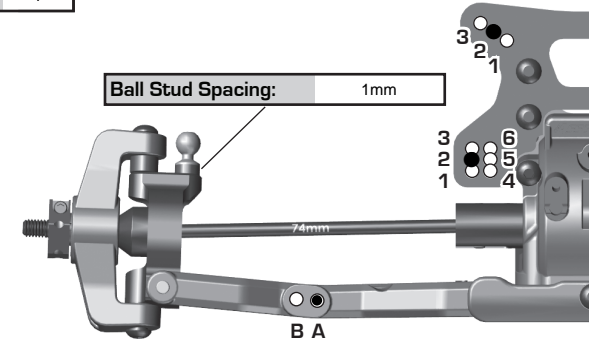
### Arm Mount B:

ALu



### Diff Height:

+2   
+0



## Rear Suspension:

Ride Height:	13mm
Camber:	-1.5
Anti-Roll Bar:	1.9
Arm Type:	Carbon
Wheelbase Shim:	4mm front of arm
Wheel Hex:	7mm
Chassis Brace Support:	Carbon 2.5
Hub Spacing:	Fwd <input type="checkbox"/> Mid <input type="checkbox"/> Back <input checked="" type="checkbox"/>
Notes:	LSP +3 Rear Tower Rear gearbox, C D Mount raised 2mm

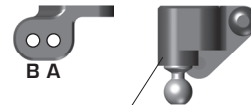
### Rear Chassis Brace Screws:



### Diff Height:

+3   
+2   
+1   
+0

### Vertical Ball Stud Mount:



### Arm Mount C:

Alu



### Ball Stud Spacing:

Ball Stud Spacing: 0mm

### Arm Mount D:

Alu

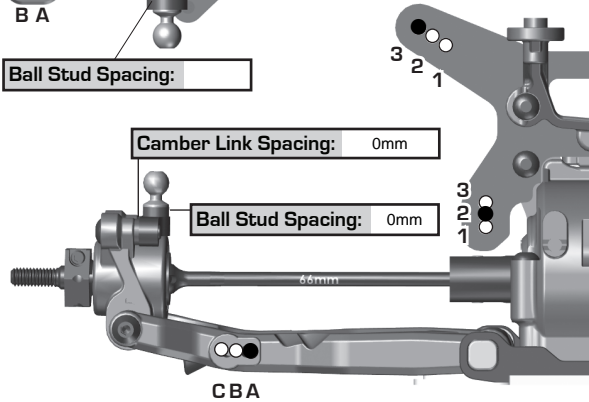


### Axle Height:

▼0 3 ▲+3  
▼1 2 ▲+2  
▲1 2 ▼+1  
▲0 3 ▼+0

Camber Link Spacing: 0mm

Ball Stud Spacing: 0mm



## Electronics:

Radio:	Servo:
EPA: Throttle: %	Brake: %
ESC:	
ESC Settings:	
Motor / Wind:	Timing:
Pinion:	Spur:
Battery:	
Battery Position:	
Back 1 <input type="checkbox"/> 2 <input type="checkbox"/> 3 <input type="checkbox"/> 4 <input checked="" type="checkbox"/> Forward	
Battery Weight:	

## Differential:

	Front	Center	Rear
Fluid:	30		80
Gears:			
Type:			
Notes:	Xray one way slipper		

## Shocks:

	Front	Rear
Piston:	2x1.7	2x1.8
Thickness:	2mm	2mm
Fluid:	55wt	35wt
Spring:	V3 red	Schumi HR Black
Limiters:	Int: ___ Ext: ___	Int: ___ Ext: ___
Stroke:	23mm	28mm
Eyelet Length:	0	0
Cup Offset:	+5	+0
Notes:		



## Slipper Clutch:

Type:
# of Pads:
Setting:

## Track Info:

Size:	Small <input type="checkbox"/> Medium <input type="checkbox"/> Large <input type="checkbox"/> Extra Large <input type="checkbox"/>
Surface:	Dirt <input type="checkbox"/> Carpet <input type="checkbox"/> Astroturf <input type="checkbox"/> Multi Surface <input type="checkbox"/>
Traction:	Low <input type="checkbox"/> Medium <input type="checkbox"/> High <input type="checkbox"/> Very High <input type="checkbox"/>
Moisture:	Dry <input type="checkbox"/> Damp <input type="checkbox"/> Wet <input type="checkbox"/>
Condition:	Indoor <input type="checkbox"/> Outdoor <input type="checkbox"/> Bumpy <input type="checkbox"/> Smooth <input type="checkbox"/>
Temperature:	Ambient: _____ Track: _____
Vehicle Comments:	

## Tires:

Front Tires / Compound / Insert / Wheel:	
Rear Tires / Compound / Insert / Wheel:	
Notes:	EOS Handout

## Body, Wing, Weight:

Body:	JC F2
Front Wing:	Yes <input type="checkbox"/> No <input checked="" type="checkbox"/>
Rear Wing:	JC 6.5"
Wing Angle:	0° <input checked="" type="checkbox"/> 6° <input type="checkbox"/>
Wing Mount Height:	0 <input type="checkbox"/> -2 <input checked="" type="checkbox"/>
Total Vehicle Weight:	