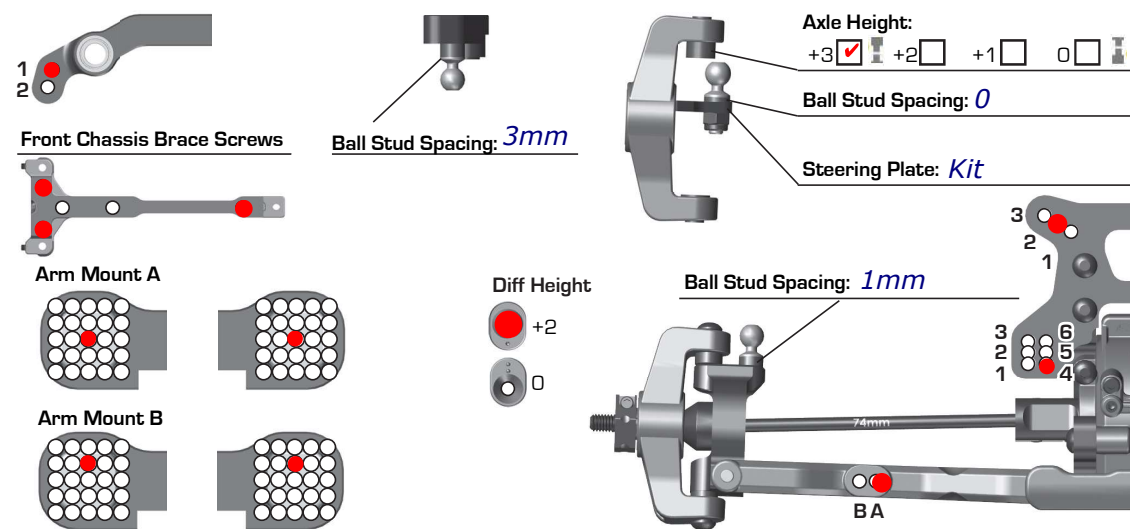


Front Suspension

Ride Height: 17mm  
 Camber: -1.5deg  
 Toe: + 0.5deg  
 Anti-Roll Bar: 1.9mm  
 Arm Type: Kit  
 Tower Type: Kit  
 Wheelbase Shim: Arm rearwards (Shim to front)  
 Wheel Hex: 4mm  
 Caster Block: 8°  9°  10°   
 Chassis Brace Support: Kit  
 Top Plate Brace: None  
 Front Axles: CVA  DCV

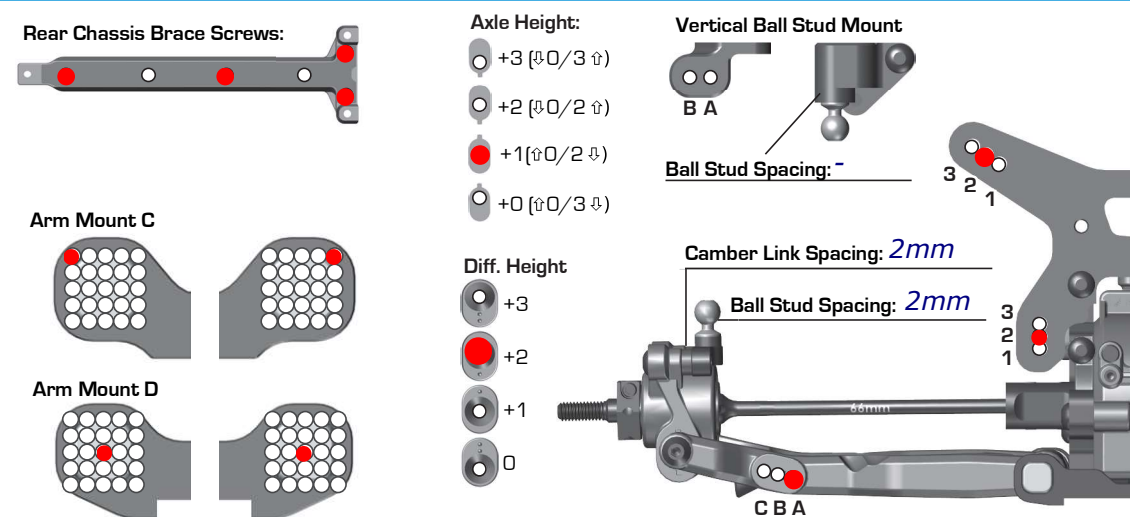
**B74.2d Kit**



Rear Suspension

Ride Height: 17mm  
 Camber: -1.5deg  
 Anti-Roll Bar: 1.8mm  
 Arm Type: Kit  
 Wheelbase Shim: Arm Rearwards (Shim to rear)  
 Wheel Hex: 7mm  
 CVA Bone Length: Kit  
 Chassis Brace Support: Kit  
 Hub Spacing: Fwd  Mid  Back

**Notes**



Electronics, Drivetrain

Radio: Sanwa M17 Servo: Savox SC1258TG  
 EPA: Throttle: 100% Brake: 80%  
 ESC: Hobbywing XR10 G2  
 ESC Settings: 0 boost 20 turbo  
 Motor: Reedy Sonic M3/5.5 Timing: 20  
 Pinion: 22 Spur: 78  
 Battery: Back 1  2  3  4  Fwd  
 Battery Position: Reedy zapper 4800mah LCG

Diffs	Front	Center	Rear
Fluid	<u>15k</u>	<u>200k</u>	<u>7k</u>
Gears	<u>4x LTC Kit</u>	<u>4x LTC Kit</u>	<u>4x LTC Kit</u>
Type	<u>Metal</u>	<u>Metal</u>	<u>Metal</u>

Alu Gearbox height bearing holder (AS92320)  
 Slipper Clutch: -  
 # of Pads: -

Shocks	Front	Rear
Piston:	<u>3x 1.7mm - 13mm Shocks</u>	<u>2x 2.0mm - 13mm Shocks</u>
Fluid:	<u>32.5w</u>	<u>30w</u>
Spring:	<u>Red v2</u>	<u>Blue v2</u>
Limiters:	Int: <u>0</u> Ext: <u>0</u>	Int: <u>0</u> Ext: <u>0</u>
Stroke:	<u>23.0mm</u>	<u>28.0mm</u>
Eyelet Length:	<u>Long +2</u>	<u>Short 0</u>
Cup Offset:	<u>9mm</u>	<u>0mm</u>

2mm cups Chrome shafts (AS91618, AS91620), Machined internals(AS91494)



Track Info, Tires & Aero

Layout: Tight  Mixed  Open  Extra Large   
 Surface: Dirt  Carpet  AstroTurf   
 Traction: Low  Medium  High  Very High   
 Moisture: Dry  Damp  Wet   
 Condition: Indoor  Outdoor  Dusty  Hard Packed   
 Bumpy  Grooved  Smooth  Loamy   
 Temperature: Ambient: 19 Humidity: -

**Notes**  
 Track was undulating, bumpy in places and sandy offline

Front Tires: Schumacher Mezzo  
 Front Compound: Yellow  
 Front Insert: RB Cheater Foam  
 Rear Tires: Schumacher Mezzo (Control)  
 Rear Compound: Yellow  
 Rear Insert: RB Cheater Foam  
 Wheel (F/R): Schumacher/Centro

**Notes**  
 Front wheels ar 2mm wider so using only 4mm hex

Body: Kit  
 Rear Wing: Kit  
 Wing Angle: 0°  6°   
 Wing Mount Height: 0  -2   
 Front Wing Yes  No   
 Servo Weights: No  
 Electronic Weights: No  
 Total Vehicle Weight: -

Comments

Grip was low on some bits of astro. Pace was awesome, but much better when we topped up the centre diff in Leg3