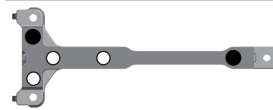


Front Suspension:

RESET

Ride Height:	15mm
Camber:	1Deg
Toe:	0
Anti-Roll Bar:	1.8
Arm Type:	Kit
Tower Type:	Composite Kit
Wheelbase Shim:	Arm Forward
Wheel Hex:	5mm
Caster Block:	8° <input type="checkbox"/> 9° <input checked="" type="checkbox"/> 10° <input type="checkbox"/>
Chassis Brace Support:	GRP
Top Plate Brace:	none
Front Axles:	CVA <input checked="" type="checkbox"/> DCV <input type="checkbox"/>
Notes:	Composit Kit tower

Front Chassis Brace Screws:



Steering Rack:

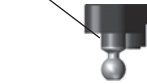


Axle Height:	+3 <input type="checkbox"/> +2 <input checked="" type="checkbox"/> +1 <input type="checkbox"/> 0 <input type="checkbox"/>
Ball Stud Spacing:	2mm
Steering Plate:	Jamie Hall

Arm Mount A:



Ball Stud Spacing:



Arm Mount B:

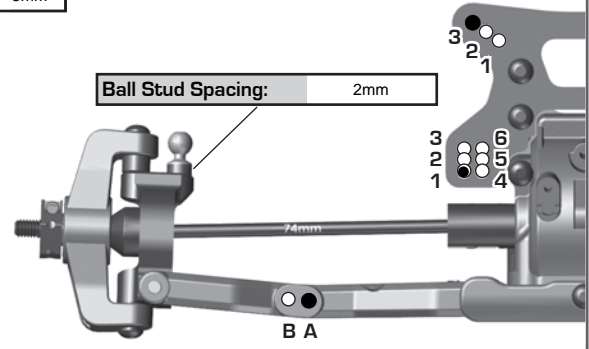


Diff Height:

+2	<input type="checkbox"/>
+0	<input checked="" type="checkbox"/>

Ball Stud Spacing:

Ball Stud Spacing:	2mm
--------------------	-----



Rear Suspension:

Ride Height:	15mm
Camber:	1Deg
Anti-Roll Bar:	1.7
Arm Type:	Kit
Wheelbase Shim:	Longest wheelbase
Wheel Hex:	7mm
Chassis Brace Support:	GRP
Hub Spacing:	Fwd <input type="checkbox"/> Mid <input type="checkbox"/> Back <input checked="" type="checkbox"/>
Notes:	Alu Hubs Composit Kit tower

Rear Chassis Brace Screws:



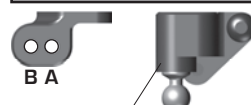
Diff Height:

+3	<input type="checkbox"/>
+2	<input type="checkbox"/>
+1	<input type="checkbox"/>
+0	<input checked="" type="checkbox"/>

Arm Mount C:



Vertical Ball Stud Mount:



Arm Mount D:



Axle Height:

▼0 3▲	+3
▼1 2▲	+2
▲1 2▼	+1
▲0 3▼	+0

Ball Stud Spacing:

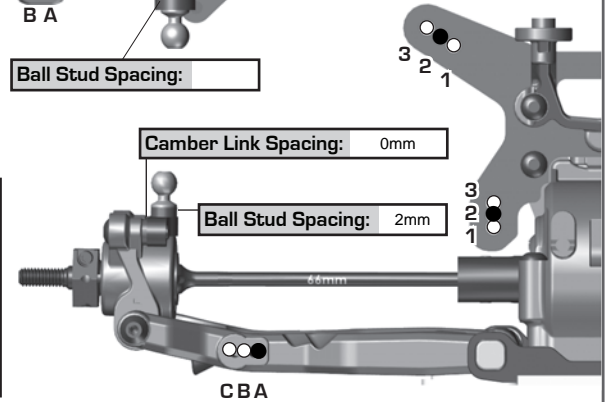
Ball Stud Spacing:	
--------------------	--

Camber Link Spacing:

Camber Link Spacing:	0mm
----------------------	-----

Ball Stud Spacing:

Ball Stud Spacing:	2mm
--------------------	-----



Electronics:

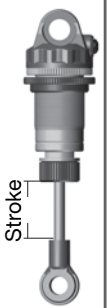
Radio:	Sanwa ZZ	Servo:	REEDY RT1705A
EPA: Throttle:	100 %	Brake:	80 %
ESC:	Reedy 610R		
ESC Settings:			
Motor / Wind:	Reedy M4 6.5	Timing:	kit
Pinion:	22	Spur:	78
Battery:	Reedy LCG 4800		
Battery Position:	Back <input type="checkbox"/> 2 <input type="checkbox"/> 3 <input type="checkbox"/> 4 <input checked="" type="checkbox"/> Forward		
Battery Weight:	none		

Differential:

	Front	Center	Rear
Fluid:	20k	500k	10k
Gears:	HTC x4	HTC x4	HTC x4
Type:	steel	steel	steel
Notes:			

Shocks:

	Front	Rear
Piston:	1.7 x 2	18 x 2
Thickness:	2mm	2mm
Fluid:	37.5	32.5
Spring:	blue	orange
Limiters:	Int: ___ Ext: ___	Int: ___ Ext: ___
Stroke:	23	28
Eyelet Length:	+2	0
Cup Offset:	+5	0
Notes:		



Slipper Clutch:

Type:	
# of Pads:	
Setting:	

Track Info:

Size:	Small <input type="checkbox"/> Medium <input type="checkbox"/> Large <input type="checkbox"/> Extra Large <input type="checkbox"/>
Surface:	Dirt <input type="checkbox"/> Carpet <input type="checkbox"/> Astroturf <input type="checkbox"/> Multi Surface <input checked="" type="checkbox"/>
Traction:	Low <input type="checkbox"/> Medium <input type="checkbox"/> High <input type="checkbox"/> Very High <input checked="" type="checkbox"/>
Moisture:	Dry <input type="checkbox"/> Damp <input checked="" type="checkbox"/> Wet <input type="checkbox"/>
Condition:	Indoor <input type="checkbox"/> Outdoor <input type="checkbox"/> Bumpy <input type="checkbox"/> Smooth <input type="checkbox"/>
Temperature:	Ambient: _____ Track: _____
Vehicle Comments:	

Tires:

Front Tires / Compound / Insert / Wheel:	fusion 1 / Yellow / Cragg / Centro
Rear Tires / Compound / Insert / Wheel:	Mezzo / Yellow / Cragg / Centro
Notes:	front sidewall Glued

Body, Wing, Weight:

Body:	
Front Wing:	Yes <input type="checkbox"/> No <input type="checkbox"/>
Rear Wing:	
Wing Angle:	0° <input type="checkbox"/> 6° <input type="checkbox"/>
Wing Mount Height:	0 <input type="checkbox"/> -2 <input type="checkbox"/>
Total Vehicle Weight:	