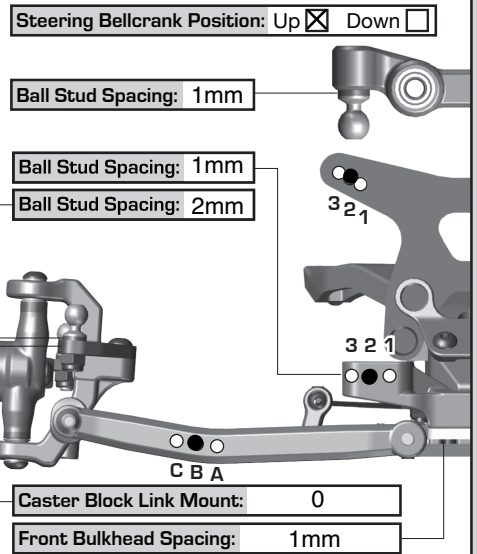
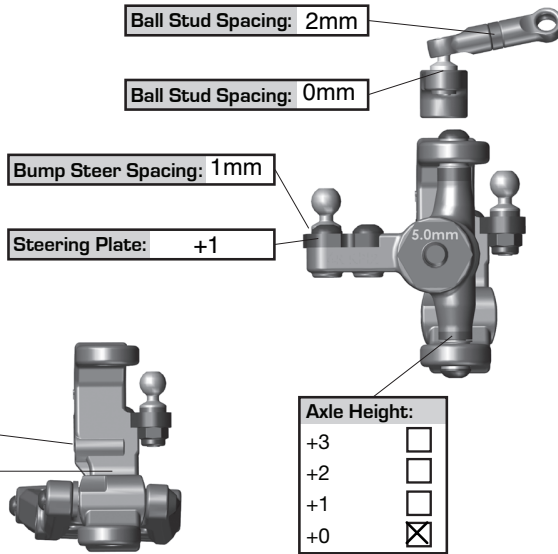


Front Suspension:

Ride Height:	21mm
Camber:	-1°
Toe:	1°
Anti-Roll Bar:	None
Arm Type:	carbon
Tower Type:	Normal
Wheel Hex:	5mm
Steering Block KPI:	KPI2
Caster Block Insert:	0 <input type="checkbox"/> -2.5 <input checked="" type="checkbox"/> -5 <input type="checkbox"/>
Bulkhead Type:	aluminium
Kick-Up Angle:	-2.5 <input type="checkbox"/> 0 <input checked="" type="checkbox"/> +2.5 <input type="checkbox"/>
Steering Stop Spacing:	None
Caster Block Spacing:	Fwd <input type="checkbox"/> Back <input checked="" type="checkbox"/>
Notes:	

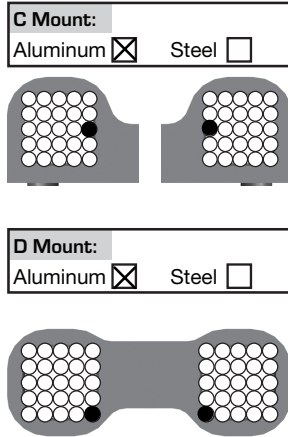


Axle Height:

+3	<input type="checkbox"/>
+2	<input type="checkbox"/>
+1	<input type="checkbox"/>
+0	<input checked="" type="checkbox"/>

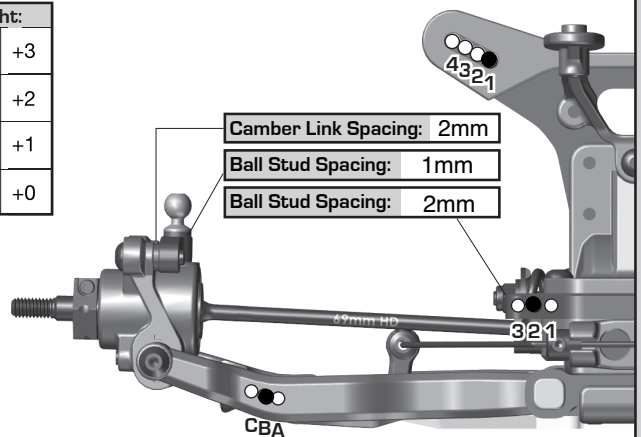
Rear Suspension:

Ride Height:	21mm
Camber:	-1°
Anti-Roll Bar:	None
Arm Type:	carbon
Tower Type:	Normal
Arm Spacing:	Fwd <input type="checkbox"/> Mid <input type="checkbox"/> Back <input checked="" type="checkbox"/>
Wheel Hex:	5mm
Hub Type:	Std <input checked="" type="checkbox"/> HRC <input type="checkbox"/>
Hub Spacing:	Fwd <input type="checkbox"/> Mid <input type="checkbox"/> Back <input checked="" type="checkbox"/>
Drive Shaft:	CVA's <input checked="" type="checkbox"/> Universals <input type="checkbox"/>
Notes:	



Axle Height:

▼0	▲3	+3
▼1	▲2	+2
▲1	▼2	+1
▲0	▼3	+0



Electronics:

Radio:	7PX	Servo:	CB700
EPA: Throttle:	100 %	Brake:	76 %
ESC:	XR10PRO G2S		
ESC Settings:			
Motor / Wind:	HW G4	Timing:	42
Pinion:	32t	Spur:	72t
Battery Mount:	Std <input type="checkbox"/> Offset <input checked="" type="checkbox"/>		
Back	1 <input checked="" type="checkbox"/>	2 <input type="checkbox"/>	3 <input type="checkbox"/> 4 <input type="checkbox"/> 5 <input type="checkbox"/> Forward
Battery:	とりおん	Weight:	73g
Notes:			

Drivetrain:

Differential:	Ball Diff:	<input checked="" type="checkbox"/>	
Height:	1	Gear Diff:	<input type="checkbox"/>
Diff Setting:			
Notes:			
Slipper Clutch:			
Type:	HD		
# of Pads:	キット純正品		
Setting:			
Notes:			

Shocks:

	Front	Rear
Piston:	1.7x2	1.9x2
Thickness:	2.5mm	2.5mm
Fluid:	AE 30wh	AE 30wh
Spring:	gray	gray
Limiters:	Int: 0 Ext: 0	Int: 0 Ext: 0
Stroke:	22.5mm	28.0mm
Eyelet:	+2	+4
Cup Offset:	0 <input type="checkbox"/> +5 <input checked="" type="checkbox"/> +9 <input type="checkbox"/>	0 <input checked="" type="checkbox"/> +5 <input type="checkbox"/> +9 <input type="checkbox"/>
Kashima Bodies:	<input type="checkbox"/>	Chrome Shafts: <input type="checkbox"/> Machined Spacers: <input type="checkbox"/>
Notes:		

Stroke

Track Info:

Size:	
Surface:	
Traction:	
Moisture:	
Condition:	
Temperature:	
Notes:	

Tires:

Front Tires:	Dirt Webs
Front Compound:	Silver
Front Insert:	Normal
Rear Tires:	Elipse
Rear Compound:	green
Rear Insert:	Normal
Wheel (F/R):	
Notes:	

Body, Weight:

Body:	F2
Front Wing:	None
Rear Wing:	JC 7inch
Wing Angle:	0° <input type="checkbox"/> 3° <input type="checkbox"/> 6° <input checked="" type="checkbox"/>
Chassis Length:	Normal
Servo Weights:	None
Electronic Weights:	aluminium
Total Vehicle Weight:	

Vehicle Comments:

Notes:	