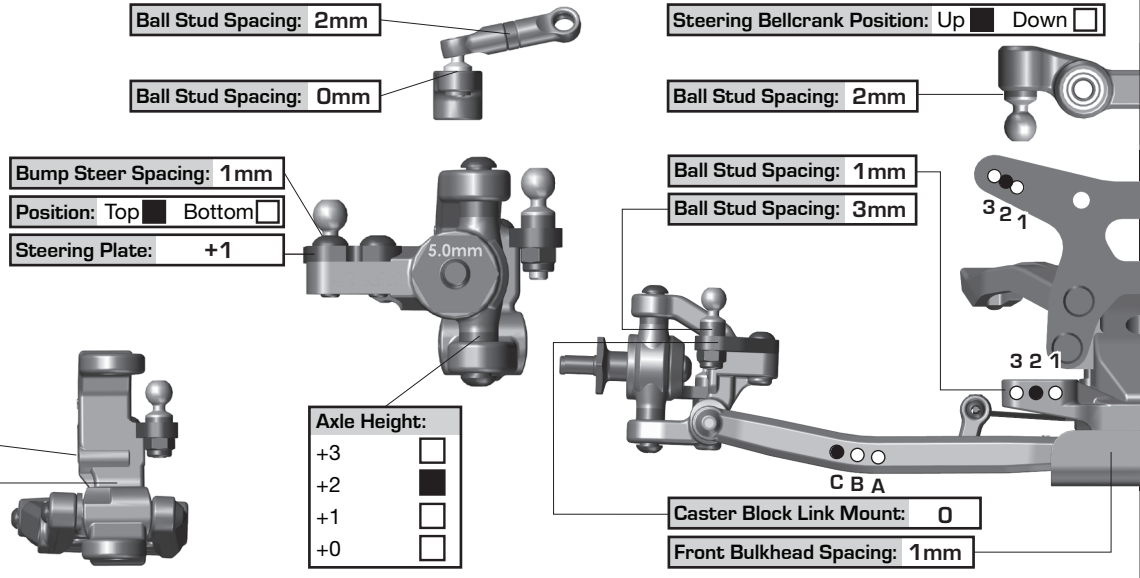


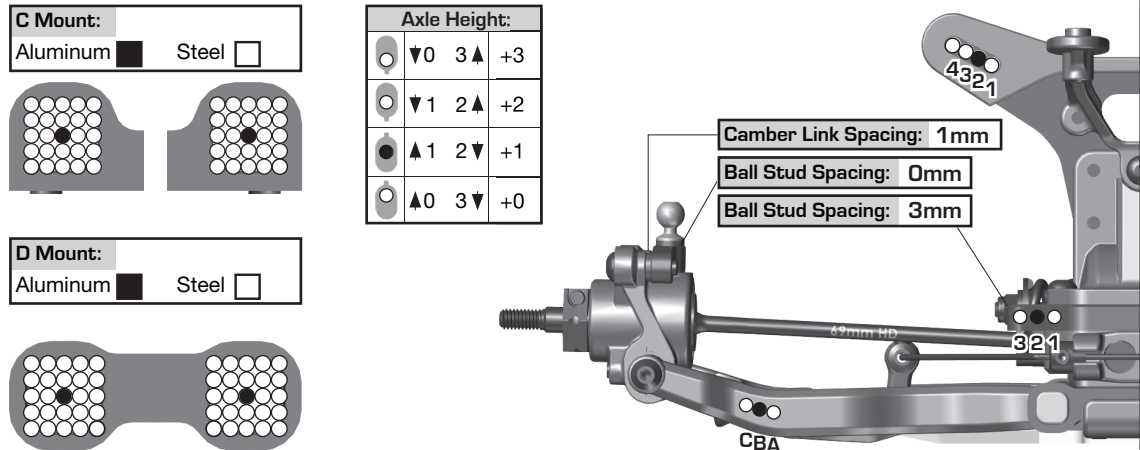
Front Suspension:

| | |
|------------------------|---|
| Ride Height: | 13mm |
| Camber: | -1 degree |
| Toe: | 0 degree |
| Anti-Roll Bar: | 1.1mm |
| Arm Type: | B7.1 |
| Tower Type: | -2mm |
| Wheel Hex: | 6.5mm |
| Steering Block: | KPI 0 3 Trail |
| Caster Block Insert: | 0 <input type="checkbox"/> +2.5 <input checked="" type="checkbox"/> +5 <input type="checkbox"/> |
| Bulkhead Type: | |
| Kick-Up Angle: | -2.5 <input type="checkbox"/> 0 <input checked="" type="checkbox"/> +2.5 <input type="checkbox"/> |
| Steering Stop Spacing: | 1.2mm |
| Caster Block Spacing: | Fwd <input type="checkbox"/> Back <input checked="" type="checkbox"/> |
| Ballstud Mount: | Standard <input type="checkbox"/> -2mm <input checked="" type="checkbox"/> |
| Notes: | |



Rear Suspension:

| | |
|----------------|--|
| Ride Height: | 13mm |
| Camber: | -2 degree |
| Anti-Roll Bar: | 1.2mm |
| Arm Type: | V2, 78mm Std. Position |
| Tower Type: | -2mm Gull Dropper |
| Arm Spacing: | Fwd <input type="checkbox"/> Mid <input checked="" type="checkbox"/> Back <input type="checkbox"/> |
| Wheel Hex: | 6mm |
| Hub Type: | Std <input type="checkbox"/> HRC <input checked="" type="checkbox"/> Kit <input type="checkbox"/> |
| Hub Spacing: | Fwd <input type="checkbox"/> Mid <input checked="" type="checkbox"/> Back <input type="checkbox"/> |
| Drive Shaft: | CVA's <input checked="" type="checkbox"/> Universals <input type="checkbox"/> |
| Notes: | |



Electronics:

| | |
|--|----------|
| Radio: | Servo: |
| EPA: Throttle: % | Brake: % |
| ESC: | |
| ESC Settings: | |
| Motor / Wind: | Timing: |
| Pinion: | Spur: |
| Battery Mount: Std <input checked="" type="checkbox"/> Offset <input type="checkbox"/> | |
| Back 1 <input type="checkbox"/> 2 <input checked="" type="checkbox"/> 3 <input type="checkbox"/> 4 <input type="checkbox"/> 5 <input type="checkbox"/> Forward | |
| Battery: | Weight: |
| Notes: | |

Drivetrain:

| | |
|---------------|--|
| Differential: | Ball Diff: <input type="checkbox"/> |
| Height: 2 | Gear Diff: <input checked="" type="checkbox"/> |
| Diff Setting: | HTC, 100k |
| Notes: | |

Slipper Clutch:

| | |
|------------|--------|
| Type: | HD |
| # of Pads: | 2x11mm |
| Setting: | |
| Notes: | |

Shocks:

| | Front | Rear |
|---|---|--|
| Piston: | 2x1.6mm | 2x1.9mm |
| Thickness: | 2.5mm | 2.5mm |
| Fluid: | 35wt | 30wt |
| Spring: | Purple | Purple |
| Limiters: Int: ___ Ext: 2 | Int: ___ Ext: 5 | |
| Stroke: | 20mm | 29mm |
| Eyelet: | 0 | +2 |
| Cup Offset: 0 <input type="checkbox"/> +5 <input checked="" type="checkbox"/> +9 <input type="checkbox"/> | 0 <input type="checkbox"/> +5 <input checked="" type="checkbox"/> +9 <input type="checkbox"/> | |
| Kashima Bodies: <input type="checkbox"/> | Chrome Shafts: <input type="checkbox"/> | Machined Spacers: <input type="checkbox"/> |
| Notes: | | |

Track Info:

| | |
|--------------|--|
| Size: | |
| Surface: | |
| Traction: | |
| Moisture: | |
| Condition: | |
| Temperature: | |
| Notes: | |

Tires:

| | |
|-----------------|--|
| Front Tires: | |
| Front Compound: | |
| Front Insert: | |
| Rear Tires: | |
| Rear Compound: | |
| Rear Insert: | |
| Wheel (F/R): | |
| Notes: | |

Body, Weight:

| | |
|--|----------|
| Body: | RC10B7 |
| Front Wing: | |
| Rear Wing: | RC10B7 |
| Wing Angle: 0° <input type="checkbox"/> 3° <input type="checkbox"/> 6° <input checked="" type="checkbox"/> | |
| Chassis Length: | Standard |
| Servo Weights: | None |
| Electronic Weights: | Aluminum |
| Total Vehicle Weight: | |

Vehicle Comments:

| | |
|--------|--|
| Notes: | |
| | |
| | |
| | |
| | |
| | |
| | |