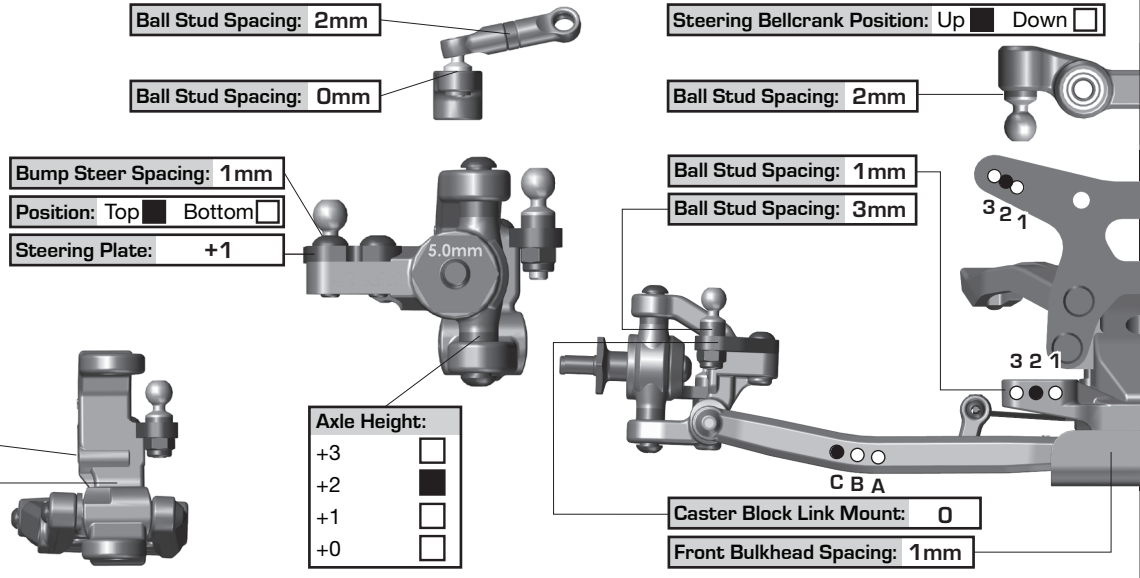


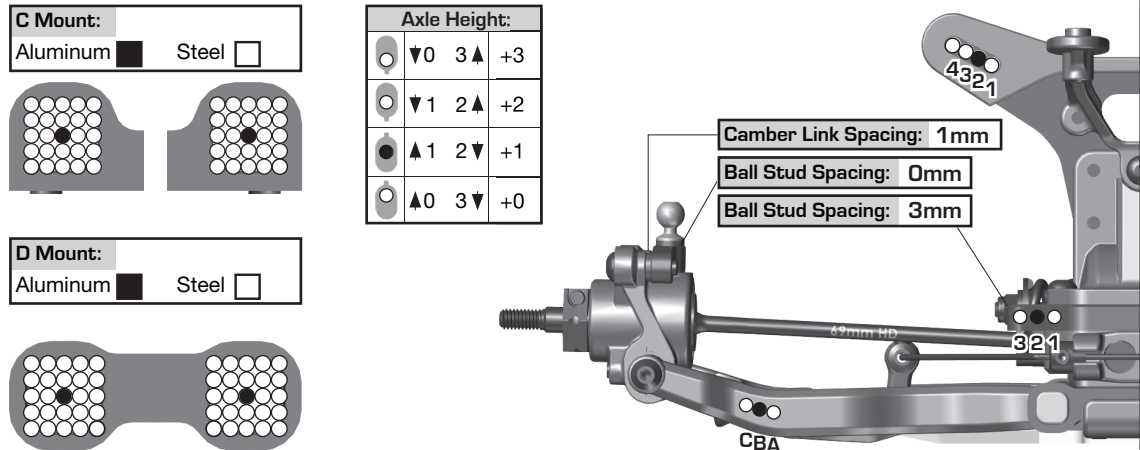
**Front Suspension:**

Ride Height:	13mm
Camber:	-1 degree
Toe:	0 degree
Anti-Roll Bar:	1.1mm
Arm Type:	B7.1
Tower Type:	-2mm
Wheel Hex:	6.5mm
Steering Block:	KPI 0 3 Trail
Caster Block Insert:	0 <input type="checkbox"/> +2.5 <input checked="" type="checkbox"/> +5 <input type="checkbox"/>
Bulkhead Type:	
Kick-Up Angle:	-2.5 <input type="checkbox"/> 0 <input checked="" type="checkbox"/> +2.5 <input type="checkbox"/>
Steering Stop Spacing:	1.2mm
Caster Block Spacing:	Fwd <input type="checkbox"/> Back <input checked="" type="checkbox"/>
Ballstud Mount:	Standard <input type="checkbox"/> -2mm <input checked="" type="checkbox"/>
Notes:	



**Rear Suspension:**

Ride Height:	13mm
Camber:	-2 degree
Anti-Roll Bar:	1.2mm
Arm Type:	V2, 78mm Std. Position
Tower Type:	-2mm Gull Dropper
Arm Spacing:	Fwd <input type="checkbox"/> Mid <input checked="" type="checkbox"/> Back <input type="checkbox"/>
Wheel Hex:	6mm
Hub Type:	Std <input type="checkbox"/> HRC <input checked="" type="checkbox"/> Kit <input type="checkbox"/>
Hub Spacing:	Fwd <input type="checkbox"/> Mid <input checked="" type="checkbox"/> Back <input type="checkbox"/>
Drive Shaft:	CVA's <input checked="" type="checkbox"/> Universals <input type="checkbox"/>
Notes:	



**Electronics:**

Radio:	Servo:
EPA: Throttle: %	Brake: %
ESC:	
ESC Settings:	
Motor / Wind:	Timing:
Pinion:	Spur:
Battery Mount: Std <input checked="" type="checkbox"/> Offset <input type="checkbox"/>	
Back 1 <input type="checkbox"/> 2 <input checked="" type="checkbox"/> 3 <input type="checkbox"/> 4 <input type="checkbox"/> 5 <input type="checkbox"/> Forward	
Battery:	Weight:
Notes:	

**Drivetrain:**

Differential:	Ball Diff: <input type="checkbox"/>
Height: 2	Gear Diff: <input checked="" type="checkbox"/>
Diff Setting:	HTC, 100k
Notes:	

**Slipper Clutch:**

Type:	HD
# of Pads:	2x11mm
Setting:	
Notes:	

**Shocks:**

	Front	Rear
Piston:	2x1.6mm	2x1.9mm
Thickness:	2.5mm	2.5mm
Fluid:	35wt	30wt
Spring:	Purple	Purple
Limiters: Int: ___ Ext: 2	Int: ___ Ext: 5	
Stroke:	20mm	29mm
Eyelet:	0	+2
Cup Offset: 0 <input type="checkbox"/> +5 <input checked="" type="checkbox"/> +9 <input type="checkbox"/>	0 <input type="checkbox"/> +5 <input checked="" type="checkbox"/> +9 <input type="checkbox"/>	
Kashima Bodies: <input type="checkbox"/>	Chrome Shafts: <input type="checkbox"/>	Machined Spacers: <input type="checkbox"/>
Notes:		

**Track Info:**

Size:	
Surface:	
Traction:	
Moisture:	
Condition:	
Temperature:	
Notes:	

**Tires:**

Front Tires:	
Front Compound:	
Front Insert:	
Rear Tires:	
Rear Compound:	
Rear Insert:	
Wheel (F/R):	
Notes:	

**Body, Weight:**

Body:	RC10B7
Front Wing:	
Rear Wing:	RC10B7
Wing Angle: 0° <input type="checkbox"/> 3° <input type="checkbox"/> 6° <input checked="" type="checkbox"/>	
Chassis Length:	Standard
Servo Weights:	None
Electronic Weights:	Aluminum
Total Vehicle Weight:	

**Vehicle Comments:**

Notes:	