

### Front Suspension:

Reset Forms

<b>Ride Height:</b>	16.5mm
<b>Camber:</b>	-2
<b>Toe:</b>	0
<b>Arm Type:</b>	Gullwing/Standard
<b>Tower Type:</b>	Gullwing
<b>Caster Block Insert:</b>	5
<b>Bulkhead Type:</b>	Brass
<b>Kick-Up Angle:</b>	25
<b>Wheel Hex:</b>	Titanium
<b>Notes:</b>	Schelle B6 Front Shock Tower, Gullwing Schelle B6 Aluminium Steering Rack, Black Schelle B6 Carbon Steering Arms Schelle B6 Steering Bushing Tuning Set (0.5mm upp) JConcepts B6/B6D Titanium Front Axle Set JConcepts B6/B6D Fin Titanium Turnbuckle Set Schelle B6 Front Wing Mount

<b>Anti Roll Bar:</b>	None <input checked="" type="checkbox"/>
	White (0.8mm) <input type="checkbox"/>
	Gray (0.9mm) <input type="checkbox"/>
	Blue (1.0mm) <input type="checkbox"/>
	Other: <input type="checkbox"/>

**Bump Steer Spacing:** 0

**Axle Height:**

+3

+2

+1

0

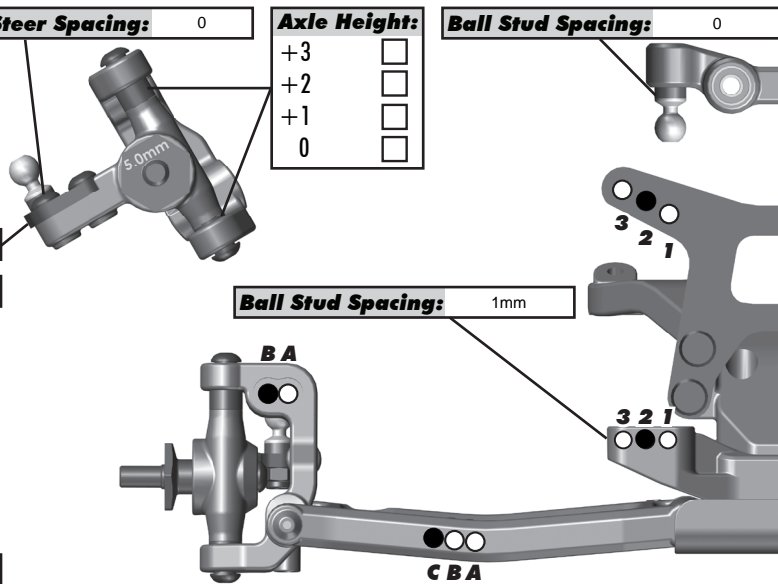
**Ball Stud Spacing:** 0

**Steering Plate:** Carbon

**Steering Stop Spacing:** 0

**Ball Stud Spacing:** 1mm

**Caster Block Spacing:** 1mm



### Rear Suspension:

<b>Ride Height:</b>	17mm
<b>Camber:</b>	-2
<b>Wheel Hex:</b>	7mm
<b>Hub Spacing:</b>	Forward <input type="checkbox"/> Middle <input type="checkbox"/> Back <input checked="" type="checkbox"/>
<b>Shock Mounting Position:</b>	Front of Arm <input checked="" type="checkbox"/> Rear of Arm <input type="checkbox"/>
<b>Notes:</b>	Schelle Rear Shock Tower, Kit 27.5mm Shock Schelle B6 Aluminium Rear Hubs, Black Schelle B6 Titanium Screw Set Schelle B6 Carbon Battery Strap

<b>Anti Roll Bar:</b>	None <input checked="" type="checkbox"/>
	White (1.2mm) <input type="checkbox"/>
	Gray (1.3mm) <input type="checkbox"/>
	Blue (1.4mm) <input type="checkbox"/>
	Other: <input type="checkbox"/>

**C Mount Inserts:** 1°  0.5°

**D Mount Inserts:** 1°  0.5°

**Rear Hub Link Setting:**

**Up**

E	A
D	B

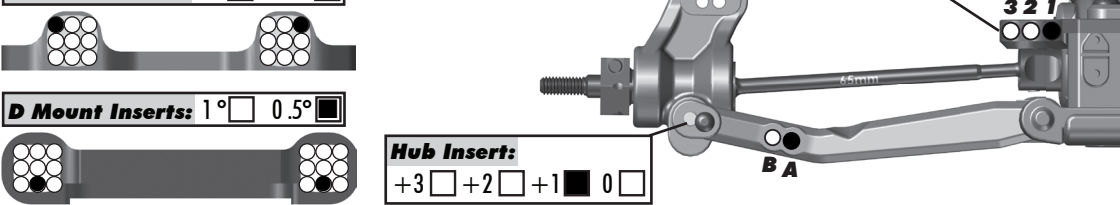
**Down**

D	B
E	C
A	

**Ball Stud Spacing:** 1mm

**Hub Insert:**

+3  +2  +1  0



### Electronics:

<b>Radio:</b>	M12S	<b>Servo:</b>	BSX-2
<b>EPA: Throttle:</b>	100 %	<b>Brake:</b>	100 %
<b>ESC:</b>	Reedy 510R		
<b>ESC Settings:</b>			
<b>Motor:</b>	Reedy Much 3		
<b>Wind:</b>	6.0T	<b>Timing:</b>	22
<b>Pinion:</b>	21T	<b>Spur:</b>	81T
<b>Battery:</b>	Racing Performer 5000		
<b>Battery Position:</b>	4F		

### Drivetrains:

<b>Transmission:</b>			
<b>3 Gear:</b>	<input checked="" type="checkbox"/>	<b>4 Gear:</b>	<input type="checkbox"/>
<b>Stand Up:</b>	<input type="checkbox"/>	<b>Lay Down:</b>	<input checked="" type="checkbox"/>
<b>Differential:</b>			
<b>Ball Diff:</b>	<input type="checkbox"/>	<b>Gear Diff:</b>	<input checked="" type="checkbox"/>
<b>Notes:</b>	AE 4000		

### Slipper Clutch:

<b>Type:</b>	Schelle Nova Clutch
<b># of Pads:</b>	White-Red-Red

### Shocks:

	Front	Rear
<b>Piston:</b>	2x1.6 Flat	2x1.7 Flat
<b>Fluid:</b>	Ultimate 550	Ultimate 425 (mix 450-400)
<b>Spring:</b>	Yatabe Red	Yatabe Green
<b>Limiters:</b>	1mm	0mm
<b>Stroke:</b>	22mm	28mm
<b>Eyelet Length:</b>	Short	Short
<b>Cup Offset:</b>	5mm	5mm
<b>Notes:</b>	AE X-ring Low Friction/Schelle V2 12mm Piston For AE	



### Track Info:

<b>Size:</b>	Small <input type="checkbox"/> Medium <input checked="" type="checkbox"/> Large <input type="checkbox"/> Extra Large <input type="checkbox"/>
<b>Surface:</b>	Dirt <input type="checkbox"/> Carpet <input type="checkbox"/> Astroturf <input checked="" type="checkbox"/> Multi Surface <input type="checkbox"/>
<b>Traction:</b>	Low <input type="checkbox"/> Medium <input type="checkbox"/> High <input checked="" type="checkbox"/> Very High <input type="checkbox"/>
<b>Moisture:</b>	Dry <input checked="" type="checkbox"/> Damp <input type="checkbox"/> Wet <input type="checkbox"/>
<b>Condition:</b>	Indoor <input checked="" type="checkbox"/> Outdoor <input type="checkbox"/> Dusty <input type="checkbox"/> Hard Packed <input type="checkbox"/> Bumpy <input type="checkbox"/> Grooved <input type="checkbox"/> Smooth <input checked="" type="checkbox"/> Loamy <input type="checkbox"/>
<b>Temperature:</b>	Ambient: Track:
<b>Notes:</b>	

### Tires:

<b>Front Tires:</b>	Cut Stagger
<b>Front Compound:</b>	Yellow
<b>Front Insert:</b>	none
<b>Rear Tires:</b>	Mini Spike
<b>Rear Compound:</b>	Yellow
<b>Rear Insert:</b>	Normal
<b>Wheel (F/R):</b>	Associated/Yokomo
<b>Notes:</b>	

### Body, Wing, Weight:

<b>Body:</b>	JConcepts S2 Lightweight
<b>Wing:</b>	JConcepts Aero Front Wing/ Highclearance 6.5
<b>Wing Angle:</b>	0° <input type="checkbox"/> 3° <input checked="" type="checkbox"/> 6° <input type="checkbox"/>
<b>Servo Weights:</b>	None <input type="checkbox"/> Aluminum <input checked="" type="checkbox"/> Steel <input type="checkbox"/> Other <input type="checkbox"/>
<b>Electronic Weights:</b>	None <input type="checkbox"/> Aluminum <input checked="" type="checkbox"/> Steel <input type="checkbox"/> Other <input type="checkbox"/>
<b>Total Vehicle Weight:</b>	1505g

### Vehicle Comments:

**Notes:** Weight +10g(front of Servo)