

Front Suspension:

Reset Forms

Ride Height:	17mm
Camber:	-1.5
Toe:	+1
Arm Type:	gullwings
Tower Type:	gullwings
Caster Block Insert:	+5
Bulkhead Type:	Brass
Kick-Up Angle:	25
Wheel Hex:	5mm
Notes:	

Anti Roll Bar:

None

White (0.8mm)

Gray (0.9mm)

Blue (1.0mm)

Other: _____

Bump Steer Spacing: 0mm

Axle Height:

+3

+2

+1

0

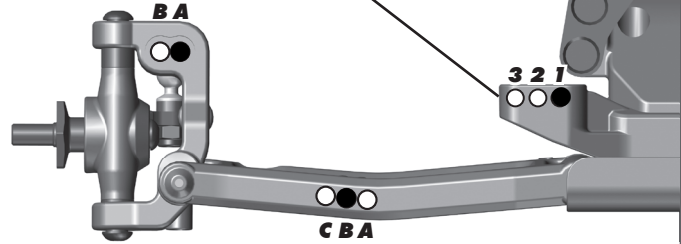
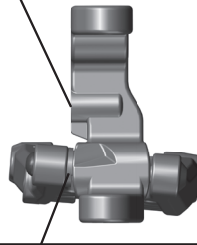
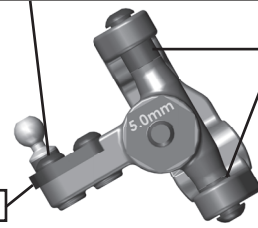
Ball Stud Spacing: 0mm

Steering Plate: kit

Steering Stop Spacing:

Ball Stud Spacing: 1mm

Caster Block Spacing: 1mm



Rear Suspension:

Ride Height:	17mm
Camber:	-2
Wheel Hex:	6mm
Hub Spacing:	Forward <input type="checkbox"/> Middle <input checked="" type="checkbox"/> Back <input type="checkbox"/>
Shock Mounting Position:	Front of Arm <input checked="" type="checkbox"/> Rear of Arm <input type="checkbox"/>
Notes:	Long rear shocks and shock tower
	Alu rear hubs hole 2

Anti Roll Bar:

None

White (1.2mm)

Gray (1.3mm)

Blue (1.4mm)

Other: _____

Rear Hub Link Setting:

Up

E	C	A
D	B	

Down

D	B	
E	C	A

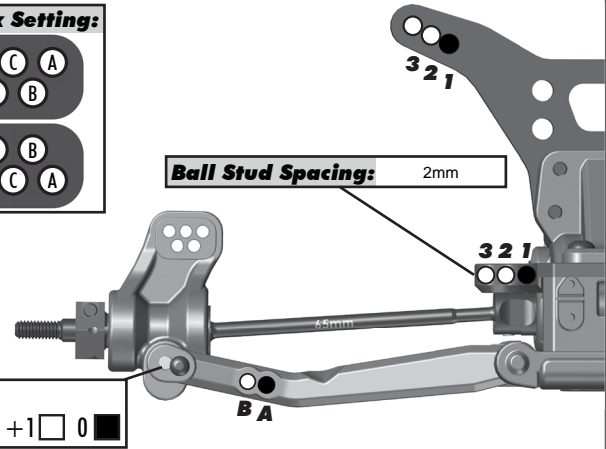
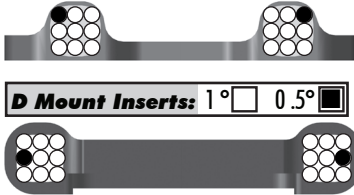
C Mount Inserts: 1° 0.5°

D Mount Inserts: 1° 0.5°

Hub Insert:

+3 +2 +1 0

Ball Stud Spacing: 2mm



Electronics:

Radio:	M12	Servo:	Reedy
EPA: Throttle:	100 %	Brake:	81 %
ESC:	Reedy 510R		
ESC Settings:			
Motor:	Reedy		
Wind:	7.5	Timing:	20
Pinion:	24	Spur:	78
Battery:	Reedy		
Battery Position:	Second hole from front		

Drivetrains:

Transmission:

3 Gear: **4 Gear:**

Stand Up: **Lay Down:**

Differential:

Ball Diff: **Gear Diff:**

Notes: 2g 5k

Slipper Clutch:

Type:

of Pads:

Shocks:

	Front	Rear
Piston:	2*1.6	2*1.7
Fluid:	30	25
Spring:	red	white
Limiters:		
Stroke:	22.5	27.5
Eyelet Length:	Short	long
Cup Offset:	+5	+0
Notes:		



Track Info:

Size: Small Medium Large Extra Large

Surface: Dirt Carpet Astroturf Multi Surface

Traction: Low Medium High Very High

Moisture: Dry Damp Wet

Condition: Indoor Outdoor Dusty Hard Packed

Bumpy Grooved Smooth Loamy

Temperature: Ambient: _____ Track: _____

Notes:

Tires:

Front Tires: cut stagger

Front Compound: yellow

Front Insert: nono

Rear Tires: mini pin 2

Rear Compound: yellow

Rear Insert: medium

Wheel (F/R): ae

Notes:

Body, Wing, Weight:

Body: light JC S2

Wing: JC Aero

Wing Angle: 0° 3° 6°

Servo Weights:

None Aluminum Steel Other

Electronic Weights:

None Aluminum Steel Other

Total Vehicle Weight:

Vehicle Comments:

Notes: