

## Front Suspension:

Reset Forms

<b>Ride Height:</b>	17mm
<b>Camber:</b>	1.5
<b>Toe:</b>	+1
<b>Arm Type:</b>	Flat
<b>Tower Type:</b>	flat
<b>Caster Block Insert:</b>	0
<b>Bulkhead Type:</b>	alu
<b>Kick-Up Angle:</b>	25
<b>Wheel Hex:</b>	5mm
<b>Notes:</b>	

**Anti Roll Bar:**

None

White (0.8mm)

Gray (0.9mm)

Blue (1.0mm)

Other: \_\_\_\_\_

**Bump Steer Spacing:** kit

**Axle Height:**

+3

+2

+1

0

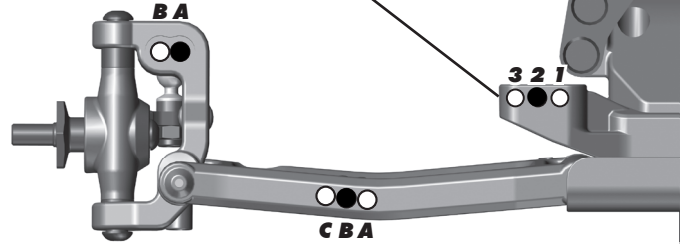
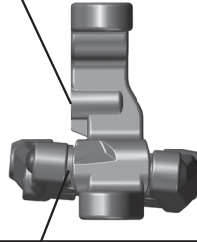
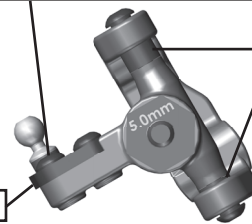
**Ball Stud Spacing:**

**Steering Plate:** kit

**Steering Stop Spacing:**

**Ball Stud Spacing:** 1mm

**Caster Block Spacing:** 0mm



## Rear Suspension:

<b>Ride Height:</b>	17mm
<b>Camber:</b>	-2
<b>Wheel Hex:</b>	7mm
<b>Hub Spacing:</b>	Forward <input type="checkbox"/> Middle <input checked="" type="checkbox"/> Back <input type="checkbox"/>
<b>Shock Mounting Position:</b>	Front of Arm <input type="checkbox"/> Rear of Arm <input checked="" type="checkbox"/>
<b>Notes:</b>	

**Anti Roll Bar:**

None

White (1.2mm)

Gray (1.3mm)

Blue (1.4mm)

Other: \_\_\_\_\_

**Rear Hub Link Setting:**

Up



Down



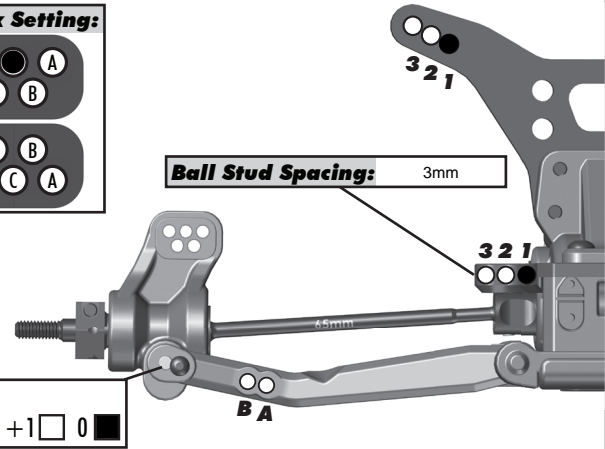
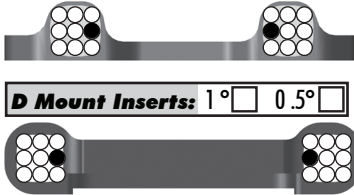
**C Mount Inserts:** 1°  0.5°

**D Mount Inserts:** 1°  0.5°

**Hub Insert:**

+3  +2  +1  0

**Ball Stud Spacing:** 3mm



## Electronics:

<b>Radio:</b>	M12	<b>Servo:</b>	Reedy
<b>EPA: Throttle:</b>	100 %	<b>Brake:</b>	81 %
<b>ESC:</b>	Reedy 510R		
<b>ESC Settings:</b>			
<b>Motor:</b>	Reedy		
<b>Wind:</b>	7.5	<b>Timing:</b>	20
<b>Pinion:</b>	24	<b>Spur:</b>	78
<b>Battery:</b>	Reedy		
<b>Battery Position:</b>	Second hole from front		

## Drivetrain:

<b>Transmission:</b>			
<b>3 Gear:</b>	<input checked="" type="checkbox"/>	<b>4 Gear:</b>	<input type="checkbox"/>
<b>Stand Up:</b>	<input type="checkbox"/>	<b>Lay Down:</b>	<input checked="" type="checkbox"/>
<b>Differential:</b>			
<b>Ball Diff:</b>	<input type="checkbox"/>	<b>Gear Diff:</b>	<input checked="" type="checkbox"/>
<b>Notes:</b>	2g 5k		
<b>Slipper Clutch:</b>			
<b>Type:</b>			
<b># of Pads:</b>			

## Shocks:

	Front	Rear
<b>Piston:</b>	2*1.6	2*1.7
<b>Fluid:</b>	27.5	27.5
<b>Spring:</b>	Green	yellow
<b>Limiters:</b>		
<b>Stroke:</b>	22.5	29.5
<b>Eyelet Length:</b>	Short	long
<b>Cup Offset:</b>	+5	+0
<b>Notes:</b>	losi springs	



## Track Info:

<b>Size:</b>	Small <input type="checkbox"/> Medium <input checked="" type="checkbox"/> Large <input type="checkbox"/> Extra Large <input type="checkbox"/>
<b>Surface:</b>	Dirt <input type="checkbox"/> Carpet <input checked="" type="checkbox"/> Astroturf <input type="checkbox"/> Multi Surface <input type="checkbox"/>
<b>Traction:</b>	Low <input type="checkbox"/> Medium <input checked="" type="checkbox"/> High <input type="checkbox"/> Very High <input type="checkbox"/>
<b>Moisture:</b>	Dry <input checked="" type="checkbox"/> Damp <input type="checkbox"/> Wet <input type="checkbox"/>
<b>Condition:</b>	Indoor <input type="checkbox"/> Outdoor <input checked="" type="checkbox"/> Dusty <input type="checkbox"/> Hard Packed <input type="checkbox"/>
	Bumpy <input type="checkbox"/> Grooved <input type="checkbox"/> Smooth <input type="checkbox"/> Loamy <input type="checkbox"/>
<b>Temperature:</b>	Ambient: _____ Track: _____
<b>Notes:</b>	

## Tires:

<b>Front Tires:</b>	cut stagger
<b>Front Compound:</b>	yellow
<b>Front Insert:</b>	nono
<b>Rear Tires:</b>	mini pin2
<b>Rear Compound:</b>	yellowe
<b>Rear Insert:</b>	medium
<b>Wheel (F/R):</b>	ae
<b>Notes:</b>	

## Body, Wing, Weight:

<b>Body:</b>	light JC S2
<b>Wing:</b>	JC Aero
<b>Wing Angle:</b>	0° <input type="checkbox"/> 3° <input type="checkbox"/> 6° <input checked="" type="checkbox"/>
<b>Servo Weights:</b>	None <input type="checkbox"/> Aluminum <input checked="" type="checkbox"/> Steel <input type="checkbox"/> Other <input type="checkbox"/>
<b>Electronic Weights:</b>	None <input type="checkbox"/> Aluminum <input checked="" type="checkbox"/> Steel <input type="checkbox"/> Other <input type="checkbox"/>
<b>Total Vehicle Weight:</b>	

## Vehicle Comments:

**Notes:**