

## Front Suspension:

Reset Forms

<b>Ride Height:</b>	17mm
<b>Camber:</b>	-1.5
<b>Toe:</b>	+1
<b>Arm Type:</b>	FLAT
<b>Tower Type:</b>	flat
<b>Caster Block Insert:</b>	0
<b>Bulkhead Type:</b>	Brass
<b>Kick-Up Angle:</b>	25
<b>Wheel Hex:</b>	5mm
<b>Notes:</b>	

**Anti Roll Bar:**

None

White (0.8mm)

Gray (0.9mm)

Blue (1.0mm)

Other: \_\_\_\_\_

**Bump Steer Spacing:** 0mm

**Axle Height:**

+3

+2

+1

0

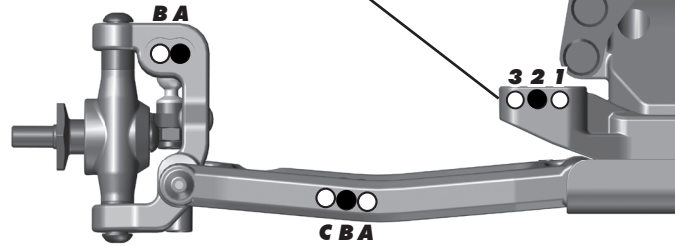
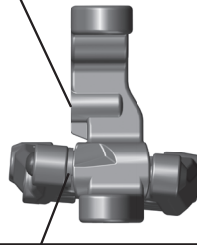
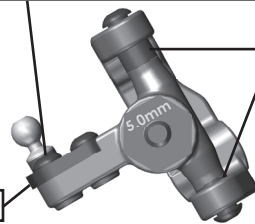
**Ball Stud Spacing:** 0mm

**Steering Plate:** kit

**Steering Stop Spacing:**

**Ball Stud Spacing:** 1mm

**Caster Block Spacing:** 1mm



## Rear Suspension:

<b>Ride Height:</b>	17mm
<b>Camber:</b>	-2
<b>Wheel Hex:</b>	7mm
<b>Hub Spacing:</b>	Forward <input type="checkbox"/> Middle <input checked="" type="checkbox"/> Back <input type="checkbox"/>
<b>Shock Mounting Position:</b>	Front of Arm <input checked="" type="checkbox"/> Rear of Arm <input type="checkbox"/>
<b>Notes:</b>	Long rear shocks and shock tower
	Alu rear hubs hole 2

**Anti Roll Bar:**

None

White (1.2mm)

Gray (1.3mm)

Blue (1.4mm)

Other: \_\_\_\_\_

**Rear Hub Link Setting:**

**Up**

E	C	A
D	B	

**Down**

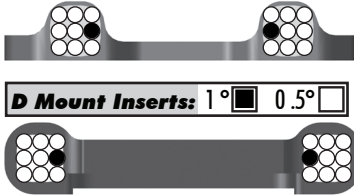
D	B	
E	C	A

**C Mount Inserts:** 1°  0.5°

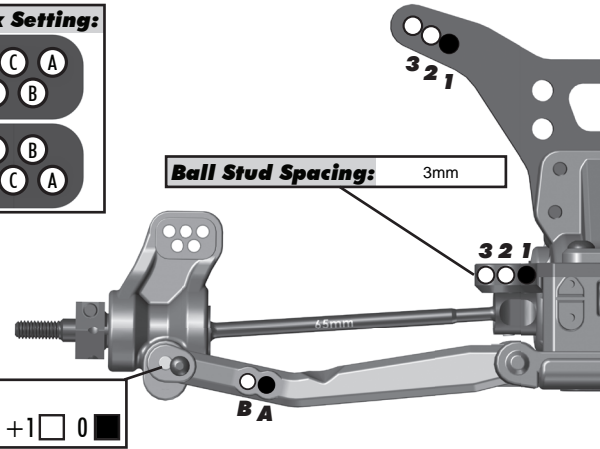
**D Mount Inserts:** 1°  0.5°

**Hub Insert:**

+3  +2  +1  0



**Ball Stud Spacing:** 3mm



## Electronics:

<b>Radio:</b>	M12	<b>Servo:</b>	Reedy
<b>EPA: Throttle:</b>	100 %	<b>Brake:</b>	81 %
<b>ESC:</b>	Reedy 510R		
<b>ESC Settings:</b>			
<b>Motor:</b>	Reedy		
<b>Wind:</b>	7.5	<b>Timing:</b>	20
<b>Pinion:</b>	24	<b>Spur:</b>	78
<b>Battery:</b>	Reedy		
<b>Battery Position:</b>	Second hole from front		

## Drivetrain:

**Transmission:**

**3 Gear:**  **4 Gear:**

**Stand Up:**  **Lay Down:**

**Differential:**

**Ball Diff:**  **Gear Diff:**

**Notes:** 2g 5k

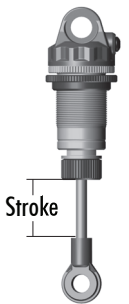
**Slipper Clutch:**

**Type:**

**# of Pads:**

## Shocks:

	Front	Rear
<b>Piston:</b>	2*1.6	2*1.7
<b>Fluid:</b>	30	25
<b>Spring:</b>	red	green
<b>Limiters:</b>		
<b>Stroke:</b>	22.5	29.5
<b>Eyelet Length:</b>	Short	long
<b>Cup Offset:</b>	+5	+0
<b>Notes:</b>	yatabe springs	



## Track Info:

**Size:** Small  Medium  Large  Extra Large

**Surface:** Dirt  Carpet  Astroturf  Multi Surface

**Traction:** Low  Medium  High  Very High

**Moisture:** Dry  Damp  Wet

**Condition:** Indoor  Outdoor  Dusty  Hard Packed

Bumpy  Grooved  Smooth  Loamy

**Temperature:** Ambient: \_\_\_\_\_ Track: \_\_\_\_\_

**Notes:**

## Tires:

**Front Tires:** cut stagger

**Front Compound:** yellow

**Front Insert:** nono

**Rear Tires:** mini pin 2

**Rear Compound:** yellow

**Rear Insert:** medium

**Wheel (F/R):** ae

**Notes:**

## Body, Wing, Weight:

**Body:** light JC S2

**Wing:** JC Aero

**Wing Angle:** 0°  3°  6°

**Servo Weights:**

None  Aluminum  Steel  Other

**Electronic Weights:**

None  Aluminum  Steel  Other

**Total Vehicle Weight:**

## Vehicle Comments:

**Notes:**