

## Front Suspension:

Reset Forms

<b>Ride Height:</b>	22 mm
<b>Camber:</b>	-1* (Tierod Gap = 22.7 mm)
<b>Toe:</b>	0 (Tierod Gap = 26.5 mm)
<b>Arm Type:</b>	#91673 Gullwing, Standard
<b>Tower Type:</b>	#91663 Gullwing
<b>Caster Block Insert:</b>	5*
<b>Bulkhead Type:</b>	#91656 Plastic
<b>Kick-Up Angle:</b>	25*
<b>Wheel Hex:</b>	#91683 Titanium
<b>Notes:</b>	#1366 FT Aluminum Servo Horn, 25T #91669 FT Aluminum Steering Rack #91668 Aluminum Steering Bellcranks

**Anti Roll Bar:**

None

White (0.8mm)

Gray (0.9mm)

Blue (1.0mm)

Other:

**Bump Steer Spacing:** 0 mm

**Axle Height:**

+3

+2

+1

0

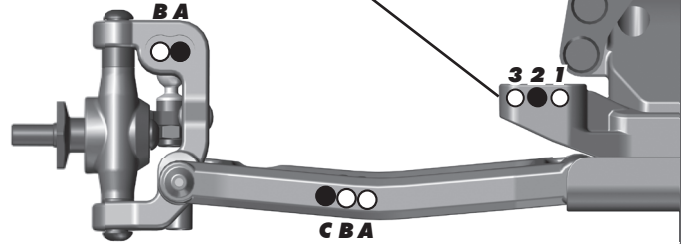
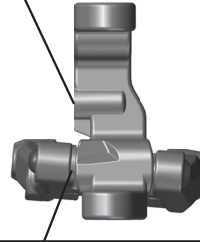
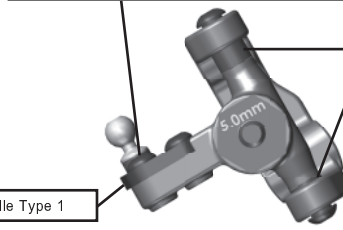
**Ball Stud Spacing:** 1 mm

**Steering Plate:** Schelle Type 1

**Steering Stop Spacing:** 0

**Ball Stud Spacing:** 1 mm

**Caster Block Spacing:** 1 mm



## Rear Suspension:

<b>Ride Height:</b>	21 mm
<b>Camber:</b>	-1* (Tierod Gap = 21.3 mm)
<b>Wheel Hex:</b>	6.0 mm
<b>Hub Spacing:</b>	Forward <input type="checkbox"/> Middle <input checked="" type="checkbox"/> Back <input type="checkbox"/>
<b>Shock Mounting Position:</b>	Front of Arm <input checked="" type="checkbox"/> Rear of Arm <input type="checkbox"/>
<b>Notes:</b>	#91687 Brass "C" Arm Mount, 12G #91688 Aluminum "D" Arm Mount #91434 B6 CVA, 67mm 15g Behind Motor

**Anti Roll Bar:**

None

White (1.2mm)

Gray (1.3mm)

Blue (1.4mm)

Other:

**Rear Hub Link Setting:**

**Up**

E C A

D B

**Down**

D

E C A

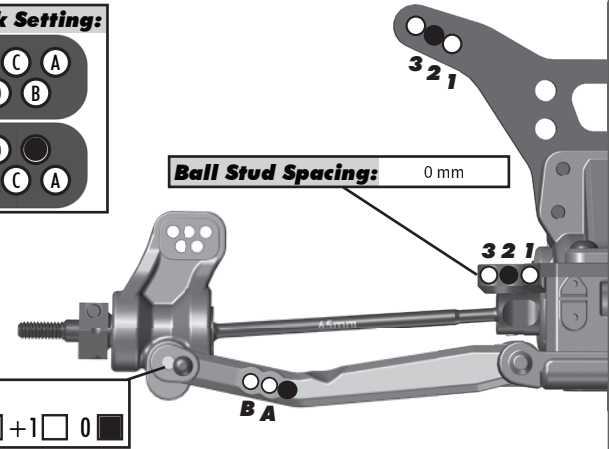
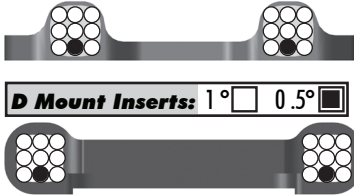
**C Mount Inserts:** 1°  0.5°

**D Mount Inserts:** 1°  0.5°

**Hub Insert:**

+3  +2  +1  0

**Ball Stud Spacing:** 0 mm



## Electronics:

<b>Radio:</b>	Sanwa M12S	<b>Servo:</b>	#27101 Reedy RT 1508
<b>EPA: Throttle:</b>	100 %	<b>Brake:</b>	92% %
<b>ESC:</b>	Hobbywing		
<b>ESC Settings:</b>	N/A		
<b>Motor:</b>	Motiv		
<b>Wind:</b>	6.5	<b>Timing:</b>	22*
<b>Pinion:</b>	#1339 Factory Team 21T	<b>Spur:</b>	78
<b>Battery:</b>	#27323 Reedy Zapper SG 5800 mAh 80C		
<b>Battery Position:</b>	Battery Taped In Against Waterfall		

## Drivetrains:

<b>Transmission:</b>			
<b>3 Gear:</b>	<input checked="" type="checkbox"/>	<b>4 Gear:</b>	<input type="checkbox"/>
<b>Stand Up:</b>	<input type="checkbox"/>	<b>Lay Down:</b>	<input checked="" type="checkbox"/>
<b>Differential:</b>			
<b>Ball Diff:</b>	<input checked="" type="checkbox"/>	<b>Gear Diff:</b>	<input type="checkbox"/>
<b>Notes:</b>			
<b>Slipper Clutch:</b>			
<b>Type:</b>	#7485 FT V2 Team Associated		
<b># of Pads:</b>	#9603 Slipper Pad		

## Shocks:

	Front	Rear
<b>Piston:</b>	3 x 1.5 + 1 x 1.0 Flat Machined	3 x 1.5 + 1 x 1.0 Flat Machined
<b>Fluid:</b>	32.5 wt	30 wt
<b>Spring:</b>	AE White	AE Green
<b>Limiters:</b>	2	0
<b>Stroke:</b>	20.8 mm	28.25 mm
<b>Eyelet Length:</b>	Long	Short
<b>Cup Offset:</b>	5 mm	5 mm
<b>Notes:</b>	#91494 Machined Internals	



## Track Info:

<b>Size:</b>	Small <input type="checkbox"/> Medium <input type="checkbox"/> Large <input checked="" type="checkbox"/> Extra Large <input type="checkbox"/>
<b>Surface:</b>	Dirt <input checked="" type="checkbox"/> Carpet <input type="checkbox"/> Astroturf <input type="checkbox"/> Multi Surface <input type="checkbox"/>
<b>Traction:</b>	Low <input type="checkbox"/> Medium <input type="checkbox"/> High <input checked="" type="checkbox"/> Very High <input type="checkbox"/>
<b>Moisture:</b>	Dry <input checked="" type="checkbox"/> Damp <input type="checkbox"/> Wet <input type="checkbox"/>
<b>Condition:</b>	Indoor <input checked="" type="checkbox"/> Outdoor <input type="checkbox"/> Dusty <input type="checkbox"/> Hard Packed <input checked="" type="checkbox"/> Bumpy <input checked="" type="checkbox"/> Grooved <input checked="" type="checkbox"/> Smooth <input checked="" type="checkbox"/> Loamy <input type="checkbox"/>
<b>Temperature:</b>	Ambient: 65F Track: 65F
<b>Notes:</b>	

## Tires:

<b>Front Tires:</b>	JConcepts Dirt Webs
<b>Front Compound:</b>	Gold
<b>Front Insert:</b>	JConcepts Dirt Tech
<b>Rear Tires:</b>	JConcepts Dirt Webs
<b>Rear Compound:</b>	Gold
<b>Rear Insert:</b>	JConcepts Dirt Webs
<b>Wheel (F/R):</b>	JConcepts Mono
<b>Notes:</b>	Reedy Race Spec Additive

## Body, Wing, Weight:

<b>Body:</b>	JConcepts P2
<b>Wing:</b>	JConcepts Aero Long Chord / JConcepts Lower Front Wing
<b>Wing Angle:</b>	0° <input type="checkbox"/> 3° <input type="checkbox"/> 6° <input checked="" type="checkbox"/>
<b>Servo Weights:</b>	None <input checked="" type="checkbox"/> Aluminum <input type="checkbox"/> Steel <input type="checkbox"/> Other <input type="checkbox"/>
<b>Electronic Weights:</b>	#91754 FT Graphite ESC Plate
<b>None:</b>	None <input type="checkbox"/> Aluminum <input type="checkbox"/> Steel <input type="checkbox"/> Other <input checked="" type="checkbox"/>
<b>Total Vehicle Weight:</b>	1595g

## Vehicle Comments:

**Notes:** #91755 Ti Screw Kit (only used above chassis); #91653 Side Rails, Hard; #91696 & 91620 Chrome Shock Shafts; #91576 & 91577 Kashima Shock Bodies; #27304 Reedy Brass Under Battery Weight (36g); Wing Moved 6mm Forward