

Front Suspension:

Reset Forms

Ride Height:	17 mm
Camber:	-1°
Toe:	0°
Arm Type:	#91674 Gullwing, Hard
Tower Type:	#91663 Gullwing
Caster Block Insert:	5°
Bulkhead Type:	# 91656 Plastic
Kick-Up Angle:	25°
Wheel Hex:	JConcepts Titanium Alex (5 mm)
Notes:	#91669 FT Aluminum Steering Rack #91668 FT Aluminum Steering Bellcranks

Anti Roll Bar:

None
 White (0.8mm)
 Gray (0.9mm)
 Blue (1.0mm)
 Other:

Bump Steer Spacing: 1 mm

Axle Height:

+3
 +2
 +1
 0

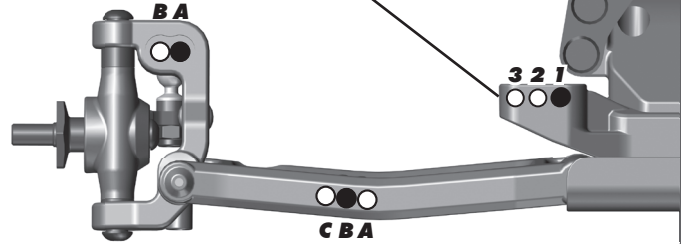
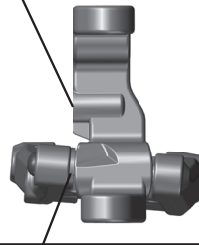
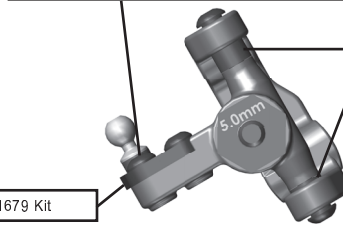
Ball Stud Spacing: 0 mm

Steering Plate: #91679 Kit

Steering Stop Spacing: 0

Ball Stud Spacing: 1 mm

Caster Block Spacing: 1 mm



Rear Suspension:

Ride Height:	17 mm
Camber:	-1.5°
Wheel Hex:	#91610 7.0 mm
Hub Spacing:	Forward <input type="checkbox"/> Middle <input type="checkbox"/> Back <input checked="" type="checkbox"/>
Shock Mounting Position:	Front of Arm <input checked="" type="checkbox"/> Rear of Arm <input type="checkbox"/>
Notes:	#91686 Aluminum "C" Arm Mount #91688 Aluminum "D" Arm Mount #91696 Rear Arms, Hard

Anti Roll Bar:

None
 White (1.2mm)
 Gray (1.3mm)
 Blue (1.4mm)
 Other:

Rear Hub Link Setting:

Up

E	C	A
D	B	

Down

D	B	A
E		

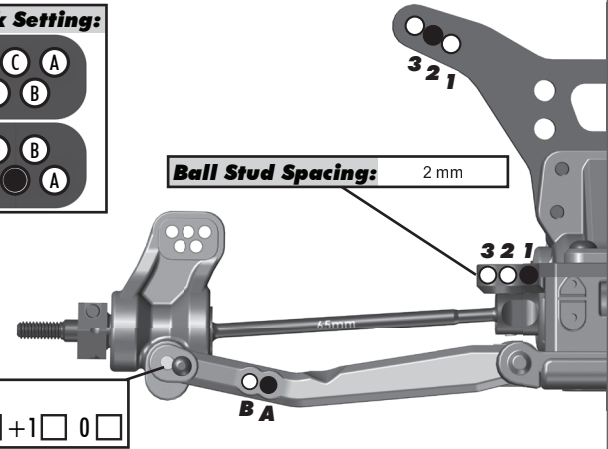
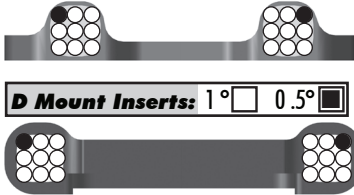
C Mount Inserts: 1° 0.5°

D Mount Inserts: 1° 0.5°

Hub Insert:

+3 +2 +1 0

Ball Stud Spacing: 2 mm



Electronics:

Radio:	Sanwa M12S	Servo:	Reedy 1408 LP
EPA: Throttle:	100 %	Brake:	85 %
ESC:	Reedy Blackbox 410R		
ESC Settings:	N/A		
Motor:	Reedy M3 (Fan on Motor)		
Wind:	6.5	Timing:	20°
Pinion:	21	Spur:	78
Battery:	#319 Reedy 3900 mAh LP (77g Under Battery Weight)		
Battery Position:	5F		

Drivetrains:

Transmission:

3 Gear: **4 Gear:**
Stand Up: **Lay Down:**

Differential:

Ball Diff: **Gear Diff:**

Notes: 4,000 wt

Slipper Clutch:

Type: Associated Kit
of Pads: 2

Shocks:

	Front	Rear
Piston:	2 x 1.6 Flat Machined	2 x 1.7 Kit
Fluid:	37.5 wt	30 wt
Spring:	Purple	Blue
Limiters:	2	0
Stroke:	20.5 mm	28 mm
Eyelet Length:	Short	Short
Cup Offset:	5 mm	5 mm
Notes:	Chrome Shock Shafts	



Track Info:

Size: Small Medium Large Extra Large

Surface: Dirt Carpet Astroturf Multi Surface

Traction: Low Medium High Very High

Moisture: Dry Damp Wet

Condition: Indoor Outdoor Dusty Hard Packed
 Bumpy Grooved Smooth Loamy

Temperature: Ambient: 80F Track: N/A

Notes: Slightly looser when sun goes down

Tires:

Front Tires: JConcepts Swaggers

Front Compound: Pink

Front Insert: None

Rear Tires: JConcepts Pin Downs

Rear Compound: Pink

Rear Insert: Open Cell

Wheel (F/R): JConcepts Mono

Notes: Slim Front Wheel

Body, Wing, Weight:

Body: #91740 Team Associated Kit (Lightweight)

Wing: JC Aero (Moved Back 6 mm) / JC Aero Wide Front

Wing Angle: 0° 3° 6°

Servo Weights:

None Aluminum Steel Other

Electronic Weights:

None Aluminum Steel Other

Total Vehicle Weight: 1541

Vehicle Comments:

Notes: #91755 Ti Screw Kit; #91494 Machined Internals; #91493 X-Rings;