

## Front Suspension:

Reset Forms

<b>Ride Height:</b>	22mm
<b>Camber:</b>	-1
<b>Toe:</b>	0
<b>Arm Type:</b>	Flat
<b>Tower Type:</b>	Flat
<b>Caster Block Insert:</b>	5
<b>Bulkhead Type:</b>	Aluminum
<b>Kick-Up Angle:</b>	25
<b>Wheel Hex:</b>	Kit
<b>Notes:</b>	Hard Arms

**Anti Roll Bar:**

None

White (0.8mm)

Gray (0.9mm)

Blue (1.0mm)

Other: \_\_\_\_\_

**Bump Steer Spacing:** 1

**Axle Height:**

+3

+2

+1

0

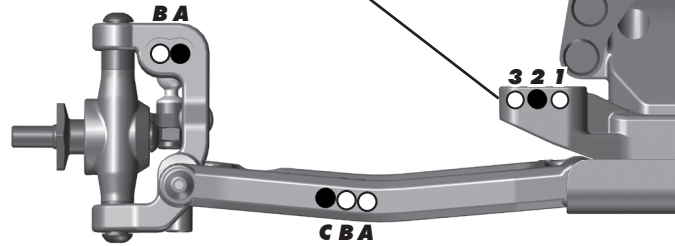
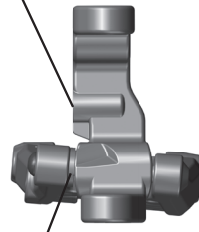
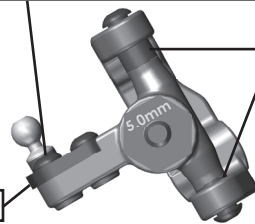
**Ball Stud Spacing:** 1

**Steering Plate:** Kit

**Steering Stop Spacing:**

**Ball Stud Spacing:** 2

**Caster Block Spacing:**



## Rear Suspension:

<b>Ride Height:</b>	22mm
<b>Camber:</b>	-1
<b>Wheel Hex:</b>	7mm
<b>Hub Spacing:</b>	Forward <input checked="" type="checkbox"/> Middle <input type="checkbox"/> Back <input type="checkbox"/>
<b>Shock Mounting Position:</b>	Front of Arm <input checked="" type="checkbox"/> Rear of Arm <input type="checkbox"/>
<b>Notes:</b>	Hard Arms Tall Tower

**Anti Roll Bar:**

None

White (1.2mm)

Gray (1.3mm)

Blue (1.4mm)

Other: \_\_\_\_\_

**Rear Hub Link Setting:**

**Up**

E  A

D  B

**Down**

D  B

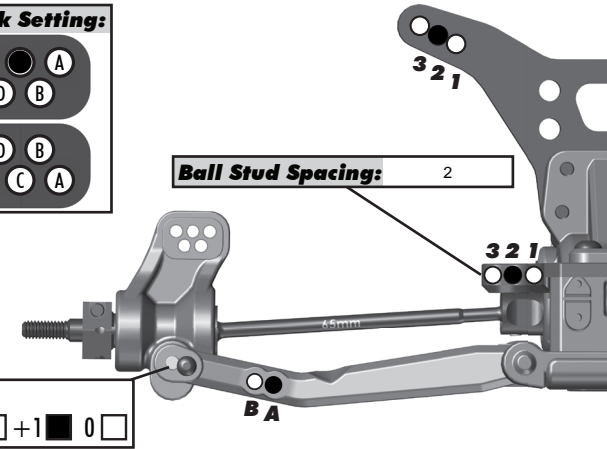
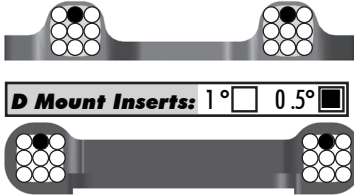
E  C  A

**C Mount Inserts:** 1°  0.5°

**D Mount Inserts:** 1°  0.5°

**Hub Insert:**

+3  +2  +1  0



## Electronics:

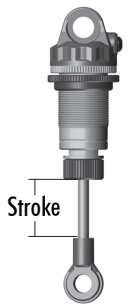
<b>Radio:</b>	<b>Servo:</b>
<b>EPA: Throttle:</b> _____ %	<b>Brake:</b> _____ %
<b>ESC:</b>	Team Powers
<b>ESC Settings:</b>	
<b>Motor:</b>	Team Powers
<b>Wind:</b> 17.5	<b>Timing:</b> 3.5
<b>Pinion:</b> 33	<b>Spur:</b> 72
<b>Battery:</b>	Team Powers
<b>Battery Position:</b>	Back

## Drivetrains:

<b>Transmission:</b>	<b>3 Gear:</b> <input checked="" type="checkbox"/> <b>4 Gear:</b> <input type="checkbox"/>
<b>Stand Up:</b> <input type="checkbox"/>	<b>Lay Down:</b> <input checked="" type="checkbox"/>
<b>Differential:</b>	<b>Ball Diff:</b> <input type="checkbox"/> <b>Gear Diff:</b> <input type="checkbox"/>
<b>Notes:</b>	Tight
<b>Slipper Clutch:</b>	
<b>Type:</b>	
<b># of Pads:</b>	

## Shocks:

	Front	Rear
<b>Piston:</b>	2x1.6	2x1.7
<b>Fluid:</b>	32.5	30
<b>Spring:</b>	AE Green	Yok Green
<b>Limiters:</b>	1mm	1mm
<b>Stroke:</b>	21.5	28
<b>Eyelet Length:</b>	Long	Long
<b>Cup Offset:</b>	5mm	5mm
<b>Notes:</b>	Machined Internals	



## Track Info:

<b>Size:</b>	Small <input type="checkbox"/> Medium <input type="checkbox"/> Large <input type="checkbox"/> Extra Large <input type="checkbox"/>
<b>Surface:</b>	Dirt <input checked="" type="checkbox"/> Carpet <input type="checkbox"/> Astroturf <input type="checkbox"/> Multi Surface <input type="checkbox"/>
<b>Traction:</b>	Low <input type="checkbox"/> Medium <input checked="" type="checkbox"/> High <input type="checkbox"/> Very High <input type="checkbox"/>
<b>Moisture:</b>	Dry <input checked="" type="checkbox"/> Damp <input checked="" type="checkbox"/> Wet <input type="checkbox"/>
<b>Condition:</b>	Indoor <input checked="" type="checkbox"/> Outdoor <input type="checkbox"/> Dusty <input checked="" type="checkbox"/> Hard Packed <input type="checkbox"/>
	Bumpy <input checked="" type="checkbox"/> Grooved <input checked="" type="checkbox"/> Smooth <input type="checkbox"/> Loamy <input type="checkbox"/>
<b>Temperature:</b>	Ambient: _____ Track: _____
<b>Notes:</b>	Narrow Line

## Tires:

<b>Front Tires:</b>	Webs
<b>Front Compound:</b>	Gold
<b>Front Insert:</b>	Dirt Tech
<b>Rear Tires:</b>	Webs
<b>Rear Compound:</b>	Gold
<b>Rear Insert:</b>	Dirt Tech
<b>Wheel (F/R):</b>	JC Mono
<b>Notes:</b>	

## Body, Wing, Weight:

<b>Body:</b>	AE
<b>Wing:</b>	JC Aero
<b>Wing Angle:</b>	0° <input type="checkbox"/> 3° <input type="checkbox"/> 6° <input checked="" type="checkbox"/>
<b>Servo Weights:</b>	None <input checked="" type="checkbox"/> Aluminum <input type="checkbox"/> Steel <input type="checkbox"/> Other <input type="checkbox"/>
<b>Electronic Weights:</b>	None <input checked="" type="checkbox"/> Aluminum <input type="checkbox"/> Steel <input type="checkbox"/> Other <input type="checkbox"/>
<b>Total Vehicle Weight:</b>	1537g

## Vehicle Comments:

**Notes:**