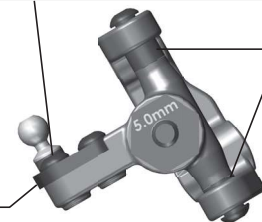


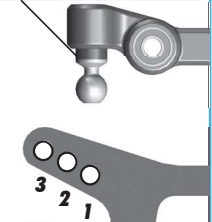
Front Suspension:

Ride Height: _____
 Camber: _____
 Toe: _____
 Arm Type: _____
 Tower Type: _____
 Caster Block Insert: _____
 Bulkhead Type: _____
 Kick-Up Angle: _____
 Wheel Hex: _____
 Notes: _____

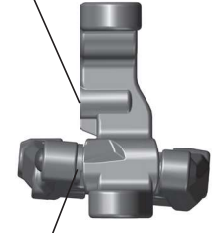
Anti Roll Bar:
 None
 White (0.8mm)
 Gray (0.9mm)
 Blue (1.0mm)
 Other: _____

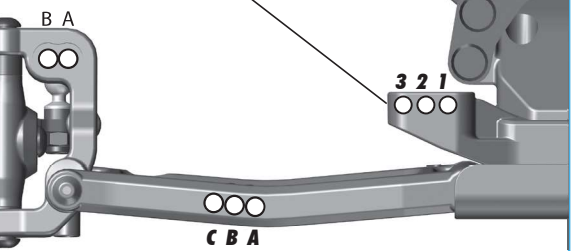
Bump Steer Spacing: _____


Axle Height:
 +3
 +2
 +1
 0

Ball Stud Spacing:


Steering Plate:




Steering Stop Spacing: _____




Ball Stud Spacing:


Rear Suspension:

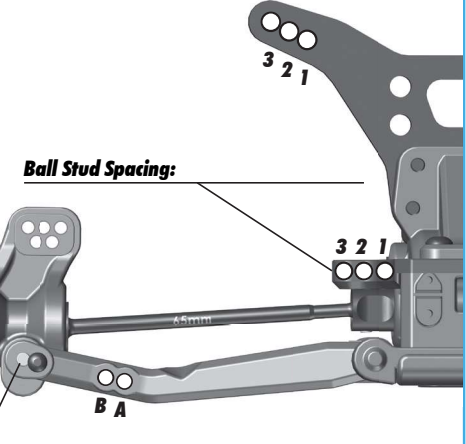
Ride Height: _____
 Camber: _____
 Wheel Hex: _____
 Hub Spacing:
 Forward Middle Back
 Front of Arm Rear of Arm
 Notes: _____

Anti Roll Bar:
 None
 White (1.2mm)
 Gray (1.3mm)
 Blue (1.4mm)
 Other: _____

Rear Hub Link Setting:
 Up 
 Down 

C Mount Inserts: 1° 0.5°

 D Mount Inserts: 1° 0.5°


Hub Insert:
 +3 +2 +1 0

Ball Stud Spacing:


Electronics:

Radio: _____ Servo: _____
 EPA: Throttle: _____ % Brake: _____ %
 ESC: _____
 ESC Settings: _____
 Motor: _____
 Wind: _____ Timing: _____
 Pinion: _____ Spur: _____
 Battery: _____
 Battery Position: _____

Drivetrain:

Transmission:
 3 Gear: 4 Gear:
 Stand Up: Lay Down:
 Differential:
 Ball Diff: Gear Diff:
 Notes: _____
 Slipper Clutch:
 Type: _____
 # of Pads: _____

Shocks:

| | Front | Rear |
|----------------|-------|------|
| Piston: | | |
| Fluid: | | |
| Spring: | | |
| Limiters: | | |
| Stroke: | | |
| Eyelet Length: | | |
| Cup Offset: | | |
| Notes: | | |



Track Info:

Size: Small Medium Large Extra Large
 Surface: Dirt Carpet Astroturf Multi Surface
 Traction: Low Medium High Very High
 Moisture: Dry Damp Wet
 Condition: Indoor Outdoor Dusty Hard Packed
 Bumpy Grooved Smooth Loamy
 Temperature: Ambient: _____ Track: _____
 Notes: _____

Tires:

Front Tires: _____
 Front Compound: _____
 Front Insert: _____
 Rear Tires: _____
 Rear Compound: _____
 Rear Insert: _____
 Wheel (F/R): _____
 Notes: _____

Body, Wing, Weight

Body: _____
 Wing: _____
 Wing Angle: 0° 3° 6°
 Servo Weights: _____
 None Aluminum Steel Other
 Electronic Weights: _____
 None Aluminum Steel Other
 Total Vehicle Weight: _____

Vehicle Comments: