

Front Suspension

Ride Height: *17*

Camber: *-2*

Toe: *0*

Anti-Roll Bar: *None*

Arm Type: *Hard Gullwing*

Tower Type: *KIT*

Caster Block Insert: *5*

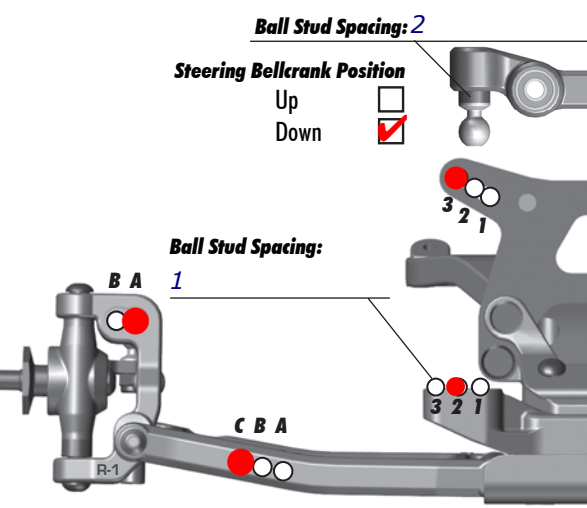
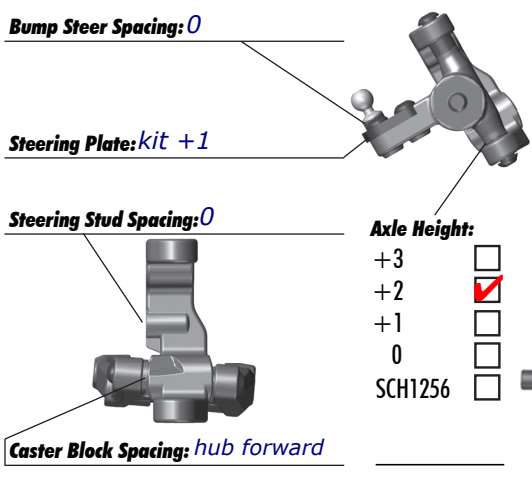
Steering Block: *4*

Bulkhead Type: *Steel*

Kick-Up Angle: *25*

Wheel Hex: *5*

b6.3 font hubs and trail



Rear Suspension

Ride Height: *17*

Camber: *-1*

Anti-Roll Bar: *None*

Wheel Hex: *7*

CVA Bone Length: *69*

CVA Axle: *kit*

Tower Type: *kit*

Arm Type: *kit*

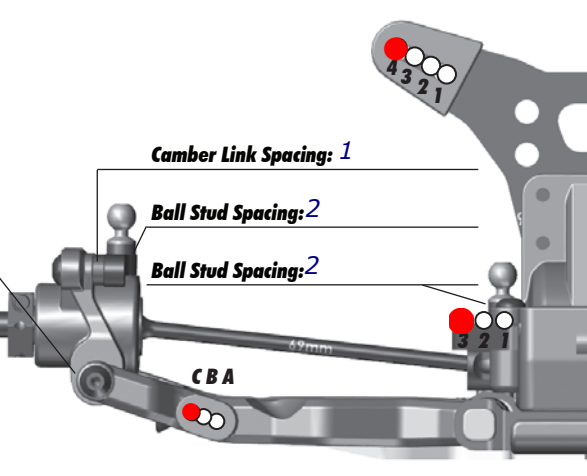
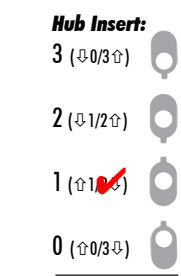
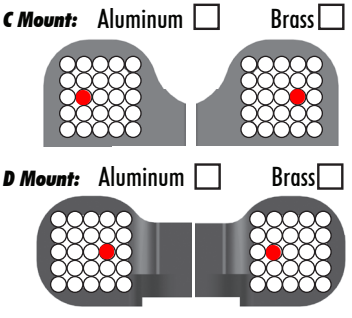
Arm Spacing: *back*

Hub Spacing:

Forward Middle Back

Shock Mounting Position:

Front of Arm Rear of Arm



Notes

Electronics, Drivetrain & Shocks

Radio: *Sanwa m17* Servo: *sav2262*

EPA: Throttle: _____ % Brake: _____ %

ESC: *Reedy 510*

ESC Settings:

Motor: *reedy 7.5* Timing: *15*

Pinion: *24* Spur: *78*

Battery: *Reedy 4800* Battery Weight: _____

Battery Position: *forward*

Transmission

Laydown Layback

Differential Height:

Ball Diff Gear Diff:

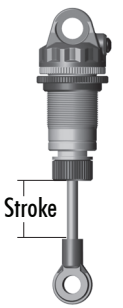
Gear Diff. Mass: *10k x 2 Gear*

Slipper Type: *Kit*

of Pads: _____

Setting: _____

Shocks	Front	Rear
Piston:	<i>1.7 x 2</i>	<i>1.8 x 2</i>
Fluid:	<i>40 wt</i>	<i>32.5 wt</i>
Spring:	<i>v2 orange</i>	<i>v2 Blue</i>
Limiter	Int: <i>0</i> Out: <i>0</i>	Int: <i>0</i> Out: <i>2</i>
Stroke:	<i>23.5</i>	<i>29.5</i>
Eyelet Length:	<i>short</i>	<i>long</i>
Cup Offset:	<i>+5</i>	<i>0</i>
Notes:	<i>12mm Shocks</i>	



Track Info, Tires & Aero

Size: Small Medium Large Extra Large

Surface: Dirt Carpet Astroturf

Traction: Low Medium High Very High

Moisture: Dry Damp Wet

Condition: Indoor Outdoor Dusty Hard Packed

Bumpy Grooved Smooth Loamy

Temperature: Ambient: _____ Humidity: _____

Front Tires: *Schumacher Cut stagger*

Front Compound: *Yellow*

Front Insert: *None*

Rear Tires: *Schumacher Mezzo*

Rear Compound: *Yellow*

Rear Insert: *cheater*

Wheel (F/R): *AE*

Front tyres glued down and sidewall glued.

Body: *Proline*

Wing: *Proline*

Wing Angle: _____

Front Wing: *yes*

Chassis Length: *short*

Servo Weights: *Steel*

Electronic Weights: *Steel*

Total Vehicle Weight: *1520*

Notes

Comments