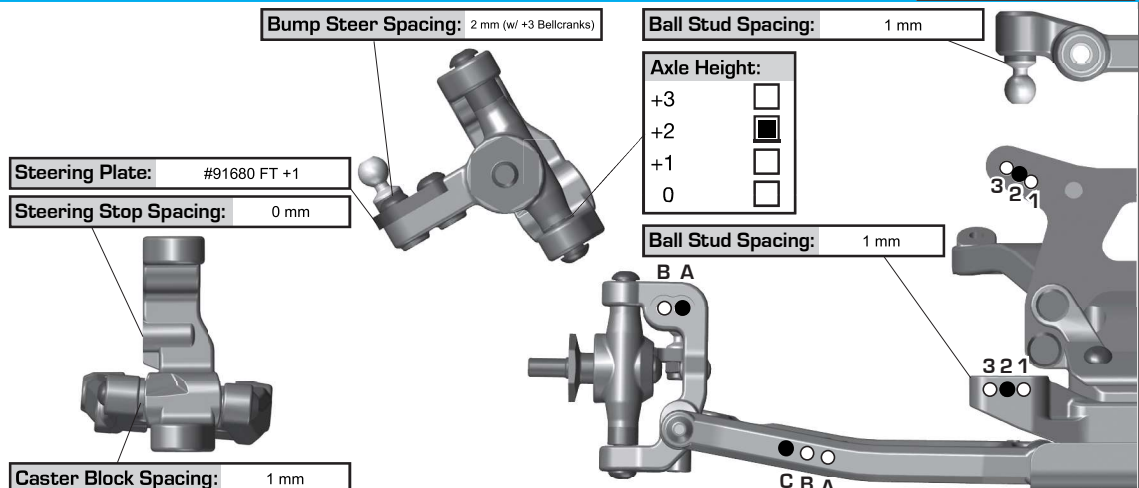


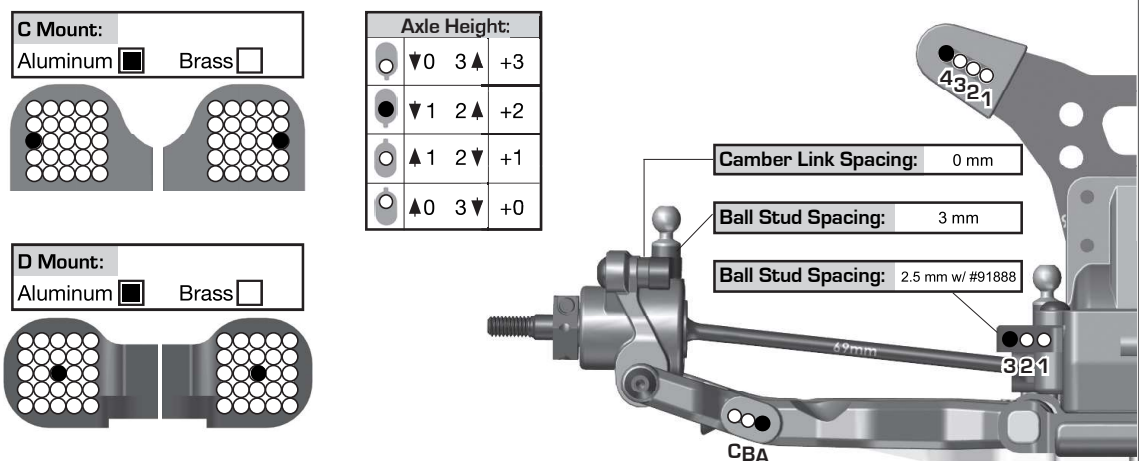
### Front Suspension:

Ride Height:	15 mm
Camber:	-1°
Toe:	0° (Tierod Gap = 28.6 mm)
Anti-Roll Bar:	0.8 mm
Arm Type:	#91673 Gullwing, Standard
Tower Type:	#91880 B6.3, Gullwing
Wheel Hex:	#91682 5mm, Aluminum
Steering Block:	3 mm
Caster Block Insert:	2.5°
Bulkhead Type:	#91898 FT, Steel
Kick-Up Angle:	25°
Notes:	#91669 FT Aluminum Steering Rack #91414 FT Aluminum Steering Bellcranks, +3mm



### Rear Suspension:

Ride Height:	15 mm
Camber:	-1°
Anti-Roll Bar:	1.3 mm
Arm Type:	#91855 B6.2, 73mm Standard
Tower Type:	#91881 B6.3
Arm Spacing:	2 mm In Front Of Arm
Wheel Hex:	#91609 FT Clamping Hex, 5.0 mm
Shock Mounting Position:	Front of Arm <input checked="" type="checkbox"/> Rear of Arm <input type="checkbox"/>
Hub Spacing:	Fwd <input type="checkbox"/> Mid <input checked="" type="checkbox"/> Back <input type="checkbox"/>
CVA Bone Length:	#91860 69 mm
CVA Axle Type:	#91859 +2 mm
Notes:	#91888 FT Rear Ballstud Mount, +2 mm; #91876 FT Rear Hubs, Carbon



### Electronics:

Radio:	Sanwa M12S	Servo:	#27101 Reedy RT1508
EPA: Throttle:	100 %	Brake:	100 %
ESC:	#27004 Reedy Blackbox 510R		
ESC Settings:	See Setup Sheet		
Motor:	Reedy Sonic M4 + #27449 Reedy 540-M4 Mod Rotor (13.0x5.0x25.3)		
Wind:	7.0T	Timing:	30°
Pinion:	#1342FT 24T	Spur:	#92295 Octalock, 78T
Battery:	#27365 Reedy Zapper SG4 4100 mAh		
Battery Position:	5F		
Battery Weight:	#27304 Reedy LiPo Battery Weight Set 36g		

### Drivetrain:

Transmission:	Laydown: <input checked="" type="checkbox"/> Layback: <input type="checkbox"/>
Differential:	Ball Diff: <input type="checkbox"/>
Height:	2 Gear Diff: <input checked="" type="checkbox"/>
Gear Diff Mass:	N/A
Notes:	#5444 FT 4k w/ 2 Planet Gears

### Shocks:

	Front	Rear
Piston:	#91626 2 x 1.6 Flat	#91627 2 x 1.7 Flat
Fluid:	#5433 FT 37.5 wt	#5432 FT 32.5 wt
Spring:	#91834 Yellow V2	#91839 Gray V2
Limiters:	Int: 0 Ext: 0	Int: 0 Ext: 0
Stroke:	23.2 mm	27.85mm
Eyelet Length:	Short (+0)	Extra Long (+4)
Cup Offset:	5 mm	0 mm
Notes:	#91494 Machined Shock Spacers V2 #91618 & #91620 FT Chrome Shock Shafts;	



### Track Info:

Size:	Small <input type="checkbox"/> Medium <input checked="" type="checkbox"/> Large <input type="checkbox"/> Extra Large <input type="checkbox"/>
Surface:	Dirt <input type="checkbox"/> Carpet <input type="checkbox"/> AstroTurf <input checked="" type="checkbox"/> Multi Surface <input type="checkbox"/>
Traction:	Low <input type="checkbox"/> Medium <input type="checkbox"/> High <input type="checkbox"/> Very High <input checked="" type="checkbox"/>
Moisture:	Dry <input type="checkbox"/> Damp <input checked="" type="checkbox"/> Wet <input type="checkbox"/>
Condition:	Indoor <input checked="" type="checkbox"/> Outdoor <input type="checkbox"/> Dusty <input type="checkbox"/> Hard Packed <input type="checkbox"/> Bumpy <input type="checkbox"/> Grooved <input type="checkbox"/> Smooth <input checked="" type="checkbox"/> Loamy <input type="checkbox"/>
Temperature:	Ambient: 65F Track: 65F
Notes:	

### Tires:

Front Tires:	JConcepts Swagger
Front Compound:	Pink
Front Insert:	None
Rear Tires:	JConcepts Nessi
Rear Compound:	Pink
Rear Insert:	JConcepts Open Cell
Wheel (F/R):	#91757 & #9695 Team Associated 12mm Hex
Notes:	

### Body, Weight:

Body:	JConcepts S2
Front Wing:	#91866 B6.2
Rear Wing:	#91741 RC10B6 (Cut To Lower Wicker Line)
Wing Angle:	6°
Chassis Length:	#91893 B6.3 +3 mm
Servo Weights:	#91747 FT Steel
Electronic Weights:	#91748 FT Steel
Total Vehicle Weight:	1547g

Vehicle Comments: #91727 FT Titanium Turnbuckle Set; #91907 FT Laydown/Layback Motor Plate, 3.5 mm; #91797 FT Titanium Top Shaft Screw; #91870 FT Chassis Protective Sheet