

Front Suspension:

Reset Forms

Ride Height:	22 mm
Camber:	-1
Toe:	0 (Tierod Gap = 27.1 mm)
Arm Type:	#91673 Gullwing, Standard
Tower Type:	#91768 Gullwing
Caster Block Insert:	5°
Steering Block:	4
Bulkhead Type:	#91656 Plastic
Kick-Up Angle:	25°
Wheel Hex:	#91682 Aluminum
Notes:	#1366 FT Aluminum Servo Horn, 25T #91667 Plastic Steering Rack #91668 Aluminum Steering Bellcranks

Anti Roll Bar:

White (0.8mm)

Gray (0.9mm)

Blue (1.0mm)

Other: _____

Bump Steer Spacing: 1 mm

Axle Height:

+3

+2

+1

0

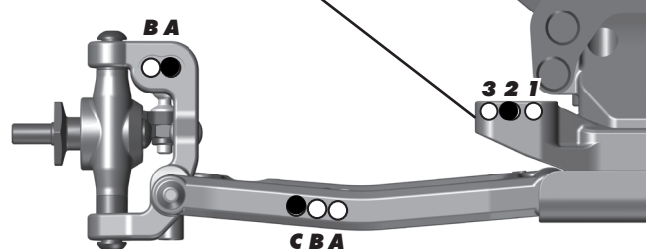
Ball Stud Spacing: 1 mm

Steering Plate: #91680 +1

Steering Stop Spacing: 0 mm

Caster Block Spacing: 1 mm

Ball Stud Spacing: 1 mm



Rear Suspension:

Ride Height:	22 mm
Camber:	-1°
Tower Type:	#91769 Standard
Wheel Hex:	#91610 FT 7 mm
CVA Bone Length:	#91434 67 mm
CVA Pin Location:	Towards Hex
Hub Spacing:	Forward <input type="checkbox"/> Middle <input checked="" type="checkbox"/> Back <input type="checkbox"/>
Shock Mounting Position:	Front of Arm <input checked="" type="checkbox"/> Rear of Arm <input type="checkbox"/>
Notes:	

Anti Roll Bar:

White (1.2mm)

Gray (1.3mm)

Blue (1.4mm)

Other: _____

Rear Hub Link Setting:

Plastic Hub Aluminum Hub Ball Stud Spacing: 3 mm

Up: Down:

C Mount Inserts: 1° 0.5°

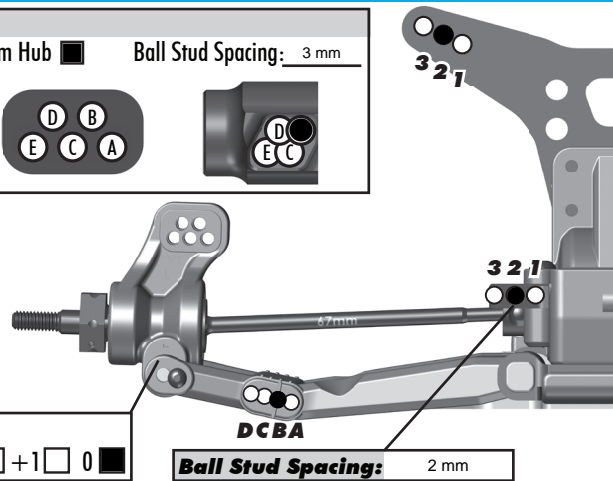
Aluminum Brass

D Mount Inserts: 1° 0.5°

Aluminum Brass

Hub Insert:

+3 +2 +1 0



Electronics:

Radio:	Sanwa M12S	Servo:	#27109 Reedy RT1408
EPA: Throttle:	100 %	Brake:	95 %
ESC:	#27004 Reedy Blackbox 510R		
ESC Settings:	See Standard Setup Sheet		
Motor:	Reedy M3 (#273 12.3mm Mod Rotor)		
Wind:	7.5	Timing:	20°
Pinion:	22	Spur:	78
Battery:	#27037 Reedy Zappers 5800 mAh 70C		
Battery Position:	3B		

Drivetrains:

Transmission: Laydown:

3 Gear: Layback:

4 Gear: Stand Up:

Differential: Ball Diff:

Height: 0 Gear Diff:

Notes:

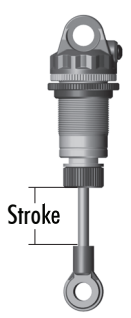
Slipper Clutch:

Type: Team Associated

of Pads: 2 x #91197 LCF

Shocks:

	Front	Rear
Piston:	1x1.6+1x1.7 Flat Machined	2 x 1.7 Flat Machined
Fluid:	30 wt	27 wt
Spring:	#91328 V1 White	#91336 V1 Green
Limiters:	1 mm	0
Stroke:	21 mm	28.3 mm
Eyelet Length:	Long	Short
Cup Offset:	5 mm	5 mm
Notes:	#91494 Machined Shock Spacers V2	



Track Info:

Size: Small Medium Large Extra Large

Surface: Dirt Carpet Astroturf Multi Surface

Traction: Low Medium High Very High

Moisture: Dry Damp Wet

Condition: Indoor Outdoor Dusty Hard Packed

Bumpy Grooved Smooth Loamy

Temperature: Ambient: 55F Track: 55F

Notes:

Tires:

Front Tires: Pro-Line Electron

Front Compound: M4

Front Insert: Stock

Rear Tires: Pro-Line Positron

Rear Compound: M4

Rear Insert: Stock

Wheel (F/R): Pro-Line

Notes:

Body, Wing, Weight:

Body: Pro-Line Elite Lightweight

Wing: PL Lower Front Wing / #91741 B6 Wing

Wing Angle: 0° 3° 6°

Servo Weights: None Aluminum Steel Other

Electronic Weights: #91754 FT Graphite ESC Plate

None Aluminum Steel Other

Total Vehicle Weight: 1600g

Vehicle Comments:

Notes: #91652 Side Rails, Standard; #91697 & 91620 Chrome Shock Shafts; #91576 & 91577 Fox Shock Bodies; #91744 FT Brass Under Battery Weight (43G)